



Chipsmall Limited consists of a professional team with an average of over 10 year of expertise in the distribution of electronic components. Based in Hongkong, we have already established firm and mutual-benefit business relationships with customers from,Europe,America and south Asia,supplying obsolete and hard-to-find components to meet their specific needs.

With the principle of “Quality Parts,Customers Priority,Honest Operation,and Considerate Service”,our business mainly focus on the distribution of electronic components. Line cards we deal with include Microchip,ALPS,ROHM,Xilinx,Pulse,ON,Everlight and Freescale. Main products comprise IC,Modules,Potentiometer,IC Socket,Relay,Connector.Our parts cover such applications as commercial,industrial, and automotives areas.

We are looking forward to setting up business relationship with you and hope to provide you with the best service and solution. Let us make a better world for our industry!



Contact us

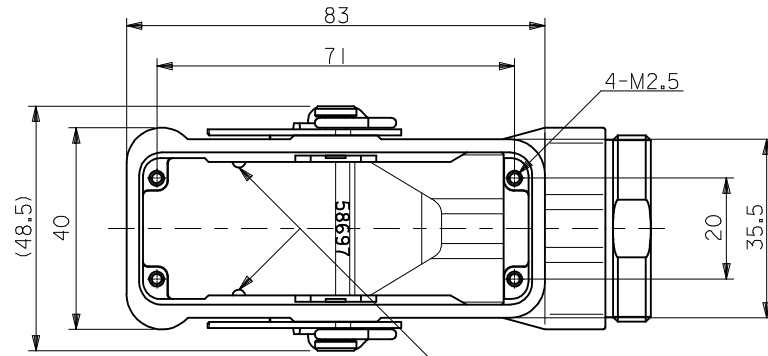
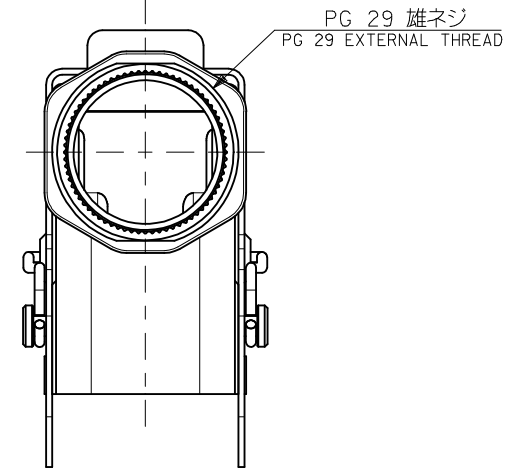
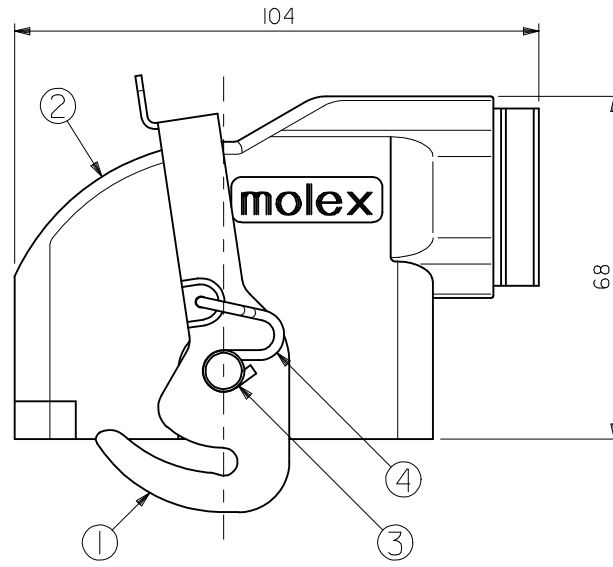
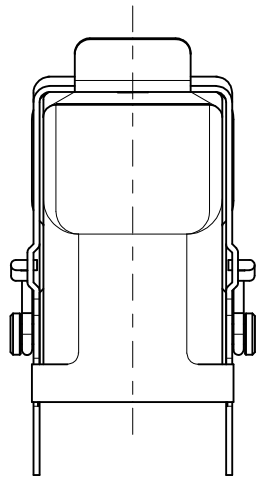
Tel: +86-755-8981 8866 Fax: +86-755-8427 6832

Email & Skype: info@chipsmall.com Web: www.chipsmall.com

Address: A1208, Overseas Decoration Building, #122 Zhenhua RD., Futian, Shenzhen, China



10 9 8 7 6 5 4 3 2 1



シエル挿入方向キー
POLARIZATIONS KEY FOR SHELL

注記：
NOTES.

1. 適用プラグシエルアッセンブリ
APPLICABLE PLUG SHELL ASS'Y
1.) TYPE A : 58687-0010
2.) TYPE B : 58687-0020
2. 適用エンドベルキャップセット
APPLICABLE END BELL CAP SET
58550-****

部番 No.	部品名 PART NAME	数量 QTY.	材質 MATERIAL	記事 ARTICLE
①	レバー LEVER	1	鋼 STEEL	塗装処理 PAINTING
②	プラグカバー PLUG COVER	1	アルミニウム合金 ALUMINIUM ALLOY	—
③	ロックピン LOCKING PIN	2	ステンレス STAINLESS STEEL	—
④	レバースプリング LEVER SPRING	2	ステンレス STAINLESS STEEL	—

58696-1010	58696-****
オーダー番号 ORDER No.	MODEL No.

REVISED EC NO: J2009-0816 DRWN: YMAEDA 2008/11/05 CHKD: NUKITA 2008/12/19 APPR: NUKITA 2008/12/19	GENERAL TOLERANCES (UNLESS SPECIFIED)		DIMENSION STYLE MM ONLY		SCALE 1:1	DESIGN UNITS METRIC	THIRD ANGLE PROJECTION
	10 UNDER	±0.2	DRAWN BY S. AKIYAMA	DATE '02/05/13	TITLE POWER CONN. 36P RIGHT-ANGLE PLUG COVER ASS'Y		
	10 OVER 30 UNDER	±0.25	CHECKED BY J. MIYAZAWA	DATE '02/05/14	MOLEX INCORPORATED		
	30 OVER	±0.3	APPROVED BY Y0. ITO	DATE '02/05/14	MATERIAL NO. SEE CHART	DOCUMENT NO. SD-58696-006	SHEET NO. 1 OF 2
REV	DESCRIPTION	ANGULAR ±3 °	DRAFT WHERE APPLICABLE MUST REMAIN WITHIN DIMENSIONS		THIS DRAWING CONTAINS INFORMATION THAT IS PROPRIETARY TO MOLEX INCORPORATED AND SHOULD NOT BE USED WITHOUT WRITTEN PERMISSION		

注記:
NOTES:

関連図面
RELATION DRAWING

<適用ハウジング及び適用端子>
<APPLICABLE HOUSING AND TERMINAL>

	適用ハウジング APPLICABLE HOUSING	適用端子 APPLICABLE TERMINAL
ピン ハウジング PIN HOUSING	SD-51192-002	SD-5558-001 SD-5558-002
ソケット ハウジング SOCKET HOUSING	SD-51193-002	SD-5556-004
プラグ ハウジング PLUG HOUSING	SD-503193-001	SD-503195-001
リセプタクル ハウジング RECEPTACLE HOUSING	SD-503194-001	SD-503196-001

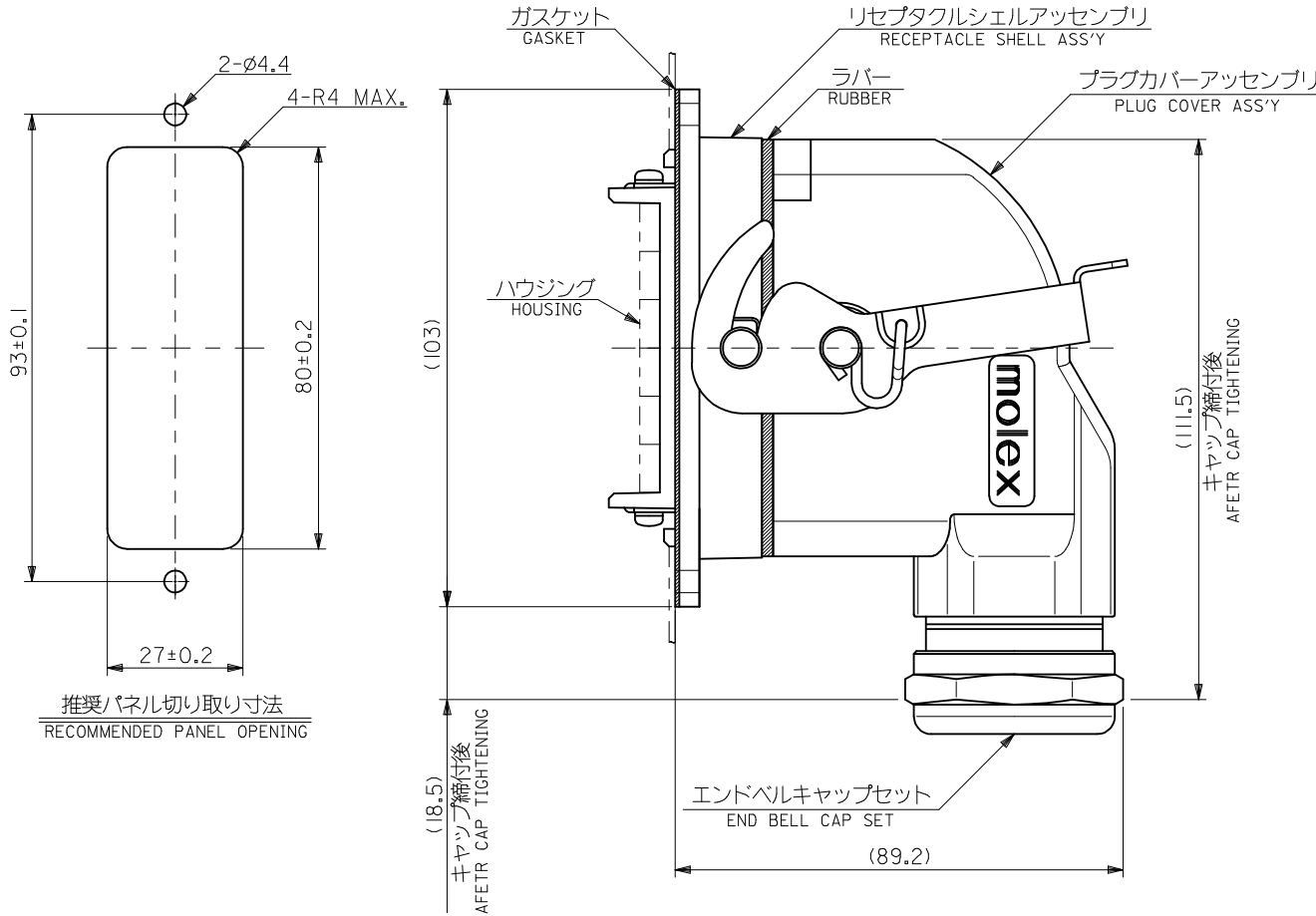
<共通部品>
<COMMON PARTS>

リセプタクルシェル アッセンブリ RECEPTACLE SHELL ASSEMBLY	SD-58691-002
プラグシェル アッセンブリ PLUG SHELL ASSEMBLY	SD-58687-002
カバー アッセンブリ COVER ASSEMBLY	SD-58696-006
カバー (中継用) COVER (FOR CONJUNCTION)	SD-56386-002
エンドベルキャップセット END BELL CAP SET	SD-58550-****
リセプタクル側ダストカバー DUST COVER FOR RECEPTACLE	SD-51201-002

関連規格
RELATION NORMATIVE

VDE0110 250V 汚染度Ⅲ
過電圧カテゴリーⅡに適合
APPLICABLE 250V POLLUTION DEGREE
AND OVER VOLTAGE CATEGORY

保護等級 IP65
DEGREE OF PROTECTION



REVISED		GENERAL TOLERANCES (UNLESS SPECIFIED)		DIMENSION STYLE		SCALE	DESIGN UNITS	THIRD ANGLE PROJECTION	
EC NO.	DATE			MM ONLY		---	METRIC		
J2009-0816	2008/11/05	10 UNDER ±0.2		DRAWN BY	DATE	TITLE			
DRWN:YMAEDA	2008/12/19	10 OVER 30 UNDER ±0.25		S. AKIYAMA	'02/5/13	POWER CONN. 36P RIGHT-ANGLE PLUG COVER ASS'Y			
CHKD:NUKITA	2008/12/19	30 OVER ±0.3		CHECKED BY	DATE	MOLEX INCORPORATED			
APPR:NUKITA	2008/12/19	ANGULAR ±3 °		APPROVED BY	DATE	MATERIAL NO.		DOCUMENT NO.	
		DRAFT WHERE APPLICABLE MUST REMAIN WITHIN DIMENSIONS		Y0. ITO	'02/05/14	SEE CHART		SD-58696-006	
				SIZE		SHEET NO.			
				A3		2 OF 2			