



Chipsmall Limited consists of a professional team with an average of over 10 year of expertise in the distribution of electronic components. Based in Hongkong, we have already established firm and mutual-benefit business relationships with customers from,Europe,America and south Asia,supplying obsolete and hard-to-find components to meet their specific needs.

With the principle of “Quality Parts,Customers Priority,Honest Operation,and Considerate Service”,our business mainly focus on the distribution of electronic components. Line cards we deal with include Microchip,ALPS,ROHM,Xilinx,Pulse,ON,Everlight and Freescale. Main products comprise IC,Modules,Potentiometer,IC Socket,Relay,Connector.Our parts cover such applications as commercial,industrial, and automotives areas.

We are looking forward to setting up business relationship with you and hope to provide you with the best service and solution. Let us make a better world for our industry!



## Contact us

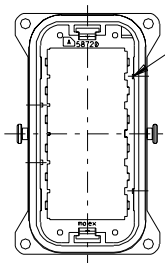
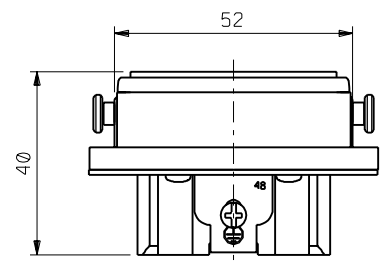
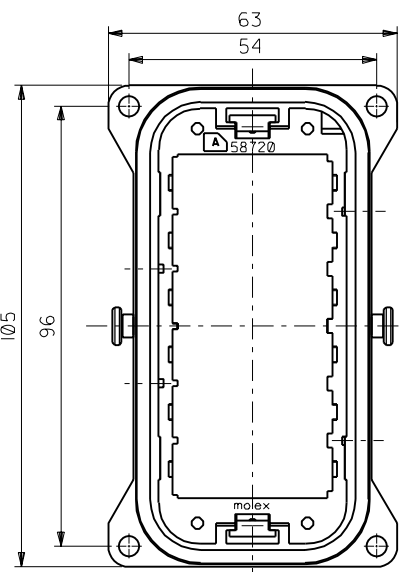
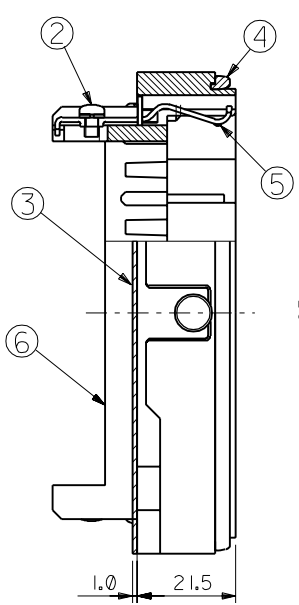
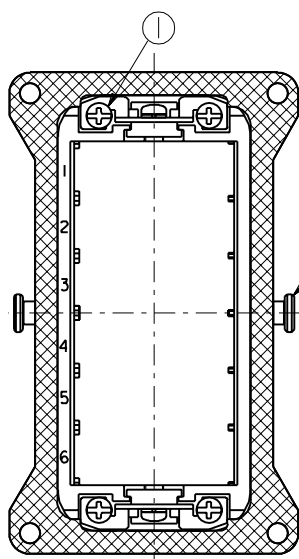
Tel: +86-755-8981 8866 Fax: +86-755-8427 6832

Email & Skype: info@chipsmall.com Web: www.chipsmall.com

Address: A1208, Overseas Decoration Building, #122 Zhenhua RD., Futian, Shenzhen, China

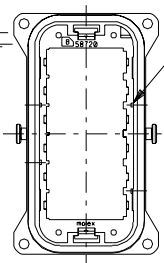


DWG. NO. SD-58719-002



誤嵌合防止キー  
MIS-ENGAGEMENT PREVENTION KEY

TYPE A  
58719-0010



誤嵌合防止キー  
MIS-ENGAGEMENT PREVENTION KEY

TYPE B  
58719-0020

部番 NO.	部品名 PART NAME	数量 QTY.	材質 MATERIAL	記事 ARTICLE
①	M2.5x6バネ座金付ねじ M2.5x6 SCREW	4	黄銅 BRASS	Niメッキ NI PLATING
②	M3x5バネ座金付ねじ M3x5 SCREW	2	鋼 STEEL	Niメッキ NI PLATING
③	ガスケット GASKET	1	ニトリルゴム NBR	—
④	ラバー RUBBER	1	ニトリルゴム NBR	—
⑤	グランドターミナル GROUND TERMINAL	2	黄銅 BRASS	Niメッキ NI PLATING
⑥	リセプタクルシエル RECEPTACLE SHELL	1	アルミニウム合金 ALUMINIUM ALLOY	—
⑦	ロックピン LOCKING PIN	2	ステンレス STAINLESS STEEL	—

注記:  
NOTES:

1. 適用ハウジングとターミナル  
APPLICATION HOUSING AND TERMINAL

	適用ハウジング APPLICATION HOUSING	ターミナル TERMINAL
ピンハウジング PIN HOUSING	51194-0800	50638-9*49 Au PLATING
		59320-9*90 Au PLATING
ソケットハウジング SOCKET HOUSING	51195-0800	50637-0*49 Au PLATING
		59319-0*90 Au PLATING
ピンハウジング PIN HOUSING	51203-1200	5558-CS** Au PLATING
ソケットハウジング SOCKET HOUSING	51204-1200	5556GS** Au PLATING

- M3ねじ推奨締めトルク: 5~6kgf.cm  
M3 SCREW RECOMMENDATION TIGHTENING TORQUE.
- パネル切取寸法は DWG NO. SD-58723-003 による。  
THE PANEL CUTOUT SIZE IS SHOWN IN SD-58723-003.

B	58719-0020	58719-00*0
A	58719-0010	
TYPE	MATERIAL NO.	MODEL NO.

DO NOT SCALE DRAWING

EC NO.	DRWN:	CHK:	APPR:	REVISION	DESCRIPTION
				REVISED	
EC NO. JD91218	DRWN: S.AKIYAMA	CHK: Y.IITO	APPR: H.IKESUGI	REVISED	
EC NO. JD90894	DRWN: Y.TETSUKA	CHK: S.AKIYAMA/Y.IITO	APPR: H.IKESUGI	REVISED	
EC NO. JD90402	DRWN: S.AKIYAMA	CHK: Y.IITO	APPR: H.IKESUGI	RELEASED	
REV					

MATERIAL	FINISH	WIRE RANGE	INS. RANGE
材料	仕上げ	適用範囲線図	被覆外径

GENERAL TOLERANCES: (UNLESS SPECIFIED)	SCALE	DESIGN UNITS
一般公差	1:1	mm INCH
10 UNDER 未満		THIRD ANGLE PROJECTION
10 OVER 以上		
30 OVER 以上		
ANGLE 角度		

DRAWN BY & DATE	CHECKED BY & DATE	APPROVED BY & DATE
S. Adiyama '98/09/14	Y. Ito '98/09/21	Y. Ito '98/09/21

DIMENSIONS:		SHT	REV
<input type="checkbox"/> mm INCH	<input type="checkbox"/> INCH		
<input checked="" type="checkbox"/> mm ONLY			
REVISE ON CAD ONLY			
TITLE: POWER CONN 48P RECEPTACLE SHELL ASS'Y			
MOLEX INCORPORATED			
CAD FILE NAME	MATERIAL NO.	DRAWING NO.	SHEET NO.
587191002.S01	SEE CHART	SD-58719-002	1 OF 1
THIS DRAWING CONTAINS INFORMATION THAT IS PROPRIETARY TO MOLEX INCORPORATED AND SHOULD NOT BE USED WITHOUT WRITTEN PERMISSION.			
SIZE B			