



Chipsmall Limited consists of a professional team with an average of over 10 year of expertise in the distribution of electronic components. Based in Hongkong, we have already established firm and mutual-benefit business relationships with customers from,Europe,America and south Asia,supplying obsolete and hard-to-find components to meet their specific needs.

With the principle of “Quality Parts,Customers Priority,Honest Operation,and Considerate Service”,our business mainly focus on the distribution of electronic components. Line cards we deal with include Microchip,ALPS,ROHM,Xilinx,Pulse,ON,Everlight and Freescale. Main products comprise IC,Modules,Potentiometer,IC Socket,Relay,Connector.Our parts cover such applications as commercial,industrial, and automotives areas.

We are looking forward to setting up business relationship with you and hope to provide you with the best service and solution. Let us make a better world for our industry!



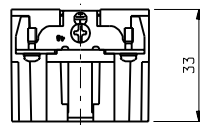
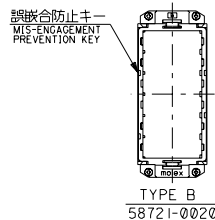
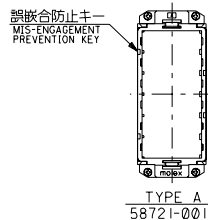
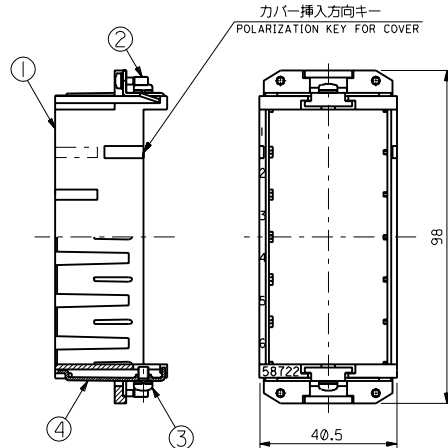
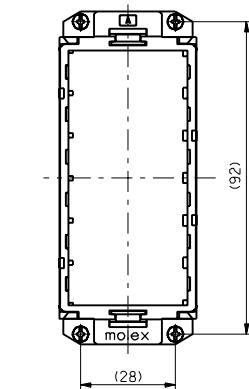
Contact us

Tel: +86-755-8981 8866 Fax: +86-755-8427 6832

Email & Skype: info@chipsmall.com Web: www.chipsmall.com

Address: A1208, Overseas Decoration Building, #122 Zhenhua RD., Futian, Shenzhen, China





部番 NO.	部品名 PART NAME	数量 QTY.	材質 MATERIAL	記事 ARTICLE
①	プラグシェル PLUG SHELL	1	アルミニウム合金 ALUMINUM ALLOY	—
②	M2.5×8 パナ座金付ねじ M2.5X8 SCREW	4	鋼 STEEL	Ni ヌッキ NI PLATING
③	M3×5 パナ座金付ねじ M3X5 SCREW	2	鋼 STEEL	Ni ヌッキ NI PLATING
④	グラウンドターミナル GROUND TERMINAL	2	黄銅 BRASS	Ni ヌッキ NI PLATING

注記:
NOTES:

1. 適用ハウジングとターミナル
APPLICATION HOUSING AND TERMINAL

	適用ハウジング APPLICATION HOUSING	ターミナル TERMINAL
ピンハウジング PIN HOUSING	51194-0800	50638-9*49 Au PLATING
ソケットハウジング SOCKET HOUSING	51195-0800	59320-9*90 Au PLATING
ピンハウジング PIN HOUSING	51203-1200	50637-0*49 Au PLATING
ソケットハウジング SOCKET HOUSING	51204-1200	59319-0*90 Au PLATING
		5558-GS* Au PLATING
		5556GS** Au PLATING

2. M3ねじ推奨締付トルク: 5~6kpf.cm
M3 SCREW RECOMMENDATION TIGHTENING TORQUE.

DO NOT SCALE DRAWING

EC NO. DRAWING CHK. APPR.	EC NO. DRAWING CHK. APPR.	EC NO. JD91218 '98/03/08 DRAWN: S,AKIYAMA CHK.: Y,IITO APPR.: H,IKE-SUGI	EC NO. JD90894 '98/02/21 DRAWN: Y,TETSUKA CHK.: S,AKIYAMA/Y,IITO APPR.: H,IKE-SUGI	RELEASED EC NO. JD90402 '98/08/21 DRAWN: S,AKIYAMA CHK.: Y,IITO APPR.: H,IKE-SUGI	MATERIAL 材料
		REVISED	REVISED		
					FINISH 仕上げ
					WIRE RANGE 適用電線範囲
					INS. RANGE 適用外径

GENERAL TOLERANCES: (UNLESS SPECIFIED) 一般公差	SCALE 1:1	DESIGN UNITS mm □ mm □ INCH	THIRD ANGLE PROJECTION <input checked="" type="checkbox"/> mm <input type="checkbox"/> INCH	SHT REV
10 UNDER 未注	+0.2	DRAWN BY & DATE S. Akiyama '98/09/14	mm ONLY	REVISE ON CAD ONLY
10 OVER 30 UNDER 未注	+0.25	CHECKED BY & DATE Y.Ito '98/09/21		
30 OVER 未注	+0.3	APPROVED BY & DATE Y.Ito '98/09/21		
ANGLE 角度	+3'	CAD FILE NAME 58721002.S01		

B	58721-0020	58721-00*0
A	58721-0010	
TYPE	MATERIAL NO.	MODEL NO.
TITLE: POWER CONN 48P PLUG SHELL ASSY		
MOLEX INCORPORATED		
CAD FILE NAME 58721002.S01	MATERIAL NO. SEE CHART	DRAWING NO. SD-58721-002
		SHEET NO. 1 OF 1
THIS DRAWING CONTAINS INFORMATION THAT IS PROPRIETARY TO MOLEX INCORPORATED AND SHOULD NOT BE USED WITHOUT WRITTEN PERMISSION.		SIZE B