



Chipsmall Limited consists of a professional team with an average of over 10 year of expertise in the distribution of electronic components. Based in Hongkong, we have already established firm and mutual-benefit business relationships with customers from,Europe,America and south Asia,supplying obsolete and hard-to-find components to meet their specific needs.

With the principle of “Quality Parts,Customers Priority,Honest Operation,and Considerate Service”,our business mainly focus on the distribution of electronic components. Line cards we deal with include Microchip,ALPS,ROHM,Xilinx,Pulse,ON,Everlight and Freescale. Main products comprise IC,Modules,Potentiometer,IC Socket,Relay,Connector.Our parts cover such applications as commercial,industrial, and automotives areas.

We are looking forward to setting up business relationship with you and hope to provide you with the best service and solution. Let us make a better world for our industry!



Contact us

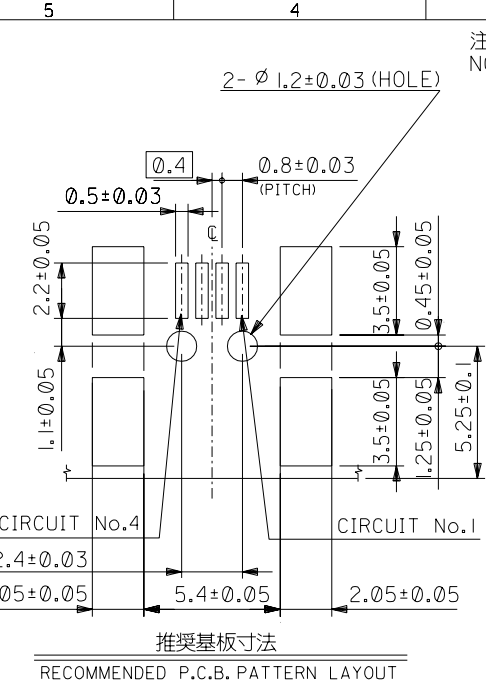
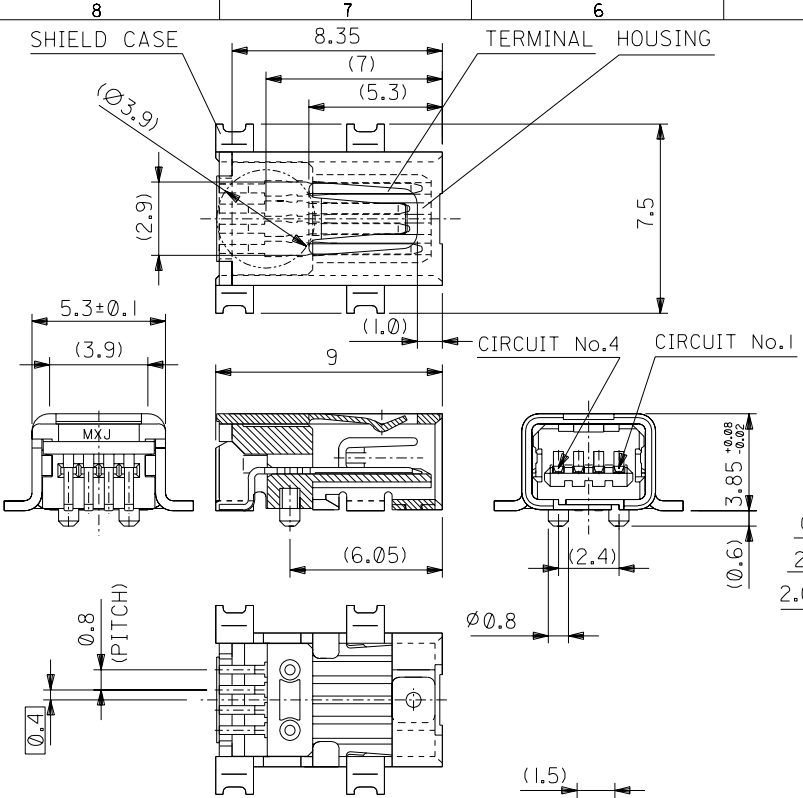
Tel: +86-755-8981 8866 Fax: +86-755-8427 6832

Email & Skype: info@chipsmall.com Web: www.chipsmall.com

Address: A1208, Overseas Decoration Building, #122 Zhenhua RD., Futian, Shenzhen, China



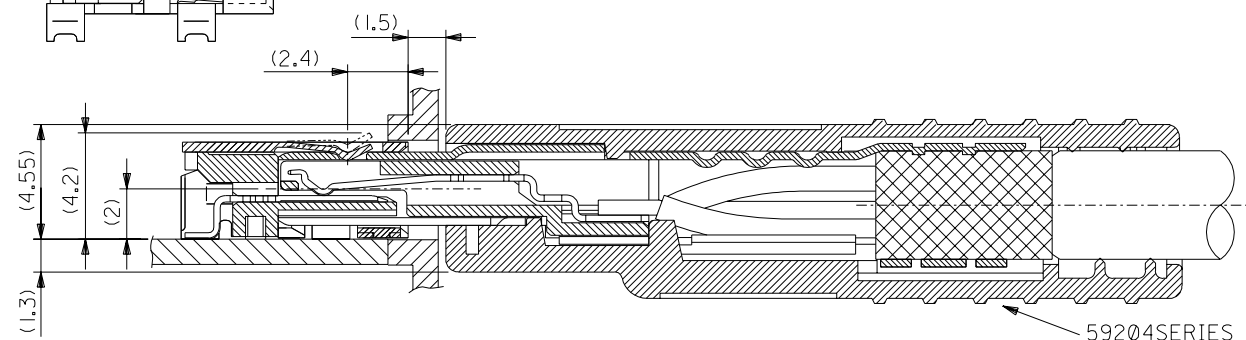
DWG. NO. SD-59110-006



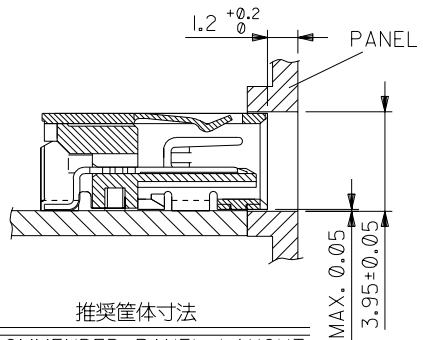
推奨基板寸法
RECOMMENDED P.C.B. PATTERN LAYOUT

注記
NOTES

- 材質
MATERIAL
ハウジング: 液晶ポリマー 黒色 UL94V-0
HOUSING: LIQUID CRYSTAL POLYMER BLACK UL94V-0
ターミナル: 黄銅 (t=0.254)
TERMINAL: BRASS (t=0.254)
シールド ケース: 銅合金 (t=0.4)
SHIELD CASE: COPPER ALLOY (t=0.4)
- メッキ仕様
PLATING
ターミナル
TERMINAL
接点部: 金メッキ 0.76μm MIN.
CONTACT AREA: GOLD 0.76MICRO METER MIN.
半田付け部: 鍍メッキ 1.0μm MIN.
SOLDER TAIL AREA: TIN 1.0MICRO METER MIN.
下部部: ニッケルメッキ 1.5μm MIN.
UNDER PLATING: NICKEL 1.5MICRO METER MIN.
シールド ケース
SHIELD CASE
: 鍍メッキ 1.0μm MIN.
: TIN 1.0MICRO METER MIN.
下部部: ニッケルメッキ 4.0μm MIN.
UNDER PLATING: NICKEL 4.0MICRO METER MIN.
- テール、ネール平坦度は 0.1mm MAX.
TAIL, NAIL COPLANARITY 0.1mm MAX.
- 嵌合相手: 59204シリーズ
MATING MATERIAL: 59204SERIES
- 本製品は59110-**-21の鉛フリー品である。
THIS PRODUCT IS LEAD FREE OF 59110-**-21.



FITTING SHAPE



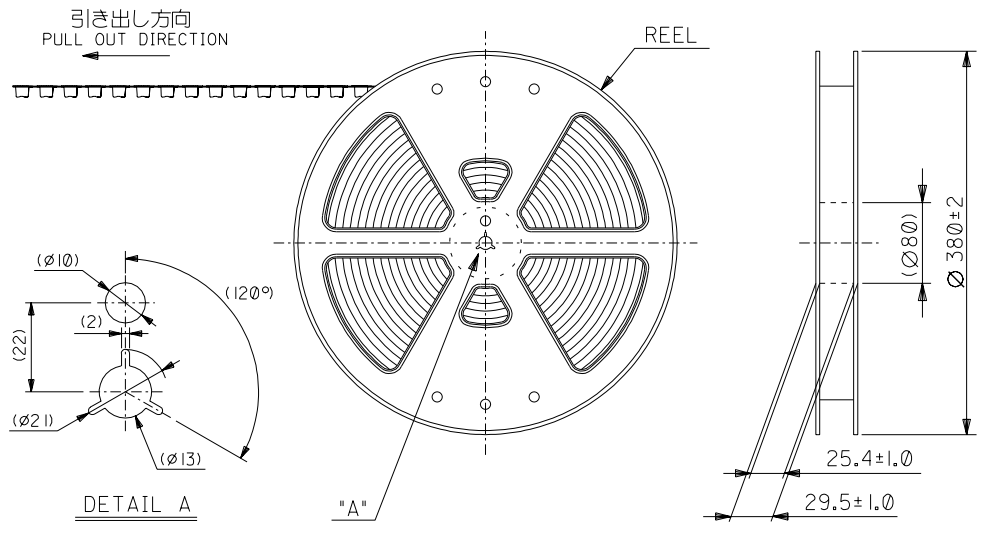
推奨筐体寸法
RECOMMENDED PANEL LAYOUT

DO NOT SCALE DRAWING

EC NO. DRWN: CHK: APPR:	EC NO. DRWN: CHK: APPR:	EC NO. DRWN: CHK: APPR:	EC NO. DRWN: CHK: APPR:	EC NO. DRWN: CHK: APPR:	RELEASED EC NO. J2004-3869 DRWN: Y.WADA '04/04/19 CHK: M.SASAO '04/04/19 APPR: M.SASAO '04/04/19	MATERIAL 材料 SEE NOTES	GENERAL TOLERANCES: (UNLESS SPECIFIED) 一般公差	SCALE 5 - 1 <input checked="" type="checkbox"/> mm <input type="checkbox"/> INCH	MODEL NO. 59110-**-29	DESIGN UNITS <input checked="" type="checkbox"/> mm <input type="checkbox"/> INCH	DIMENSIONS: <input type="checkbox"/> mm <input type="checkbox"/> INCH <input checked="" type="checkbox"/> mm ONLY	SHT REV
					DESCRIPTION FINISH 仕上げ SEE NOTES	FINISH 仕上げ SEE NOTES	10 UNDER 未満 ±0.2	DRAWN BY & DATE Y.WADA '04/04/19	TITLE: 0.8 I/O CONN. REC. ASS'Y -LEAD FREE-			
					WIRE RANGE 適用電線範囲 — #	WIRE RANGE 適用電線範囲 — #	10 OVER 30 UNDER 以上 未満 ±0.25	CHECKED BY & DATE M.SASAO '04/04/19				
					INS. RANGE 被覆外径 — #	INS. RANGE 被覆外径 — #	30 OVER 以上 ±0.3	APPROVED BY & DATE M.SASAO '04/04/19	MOLEX INCORPORATED			
					REV	REV	ANGLE 角度 ±3°	CAD FILENAME SD-59110-006.S01	MATERIAL NO. 59110-0429	DRAWING NO. SD-59110-006	SHEET NO. 1 OF 1	SIZE B

THIS DRAWING CONTAINS INFORMATION THAT IS PROPRIETARY TO MOLEX INCORPORATED AND SHOULD NOT BE USED WITHOUT WRITTEN PERMISSION.

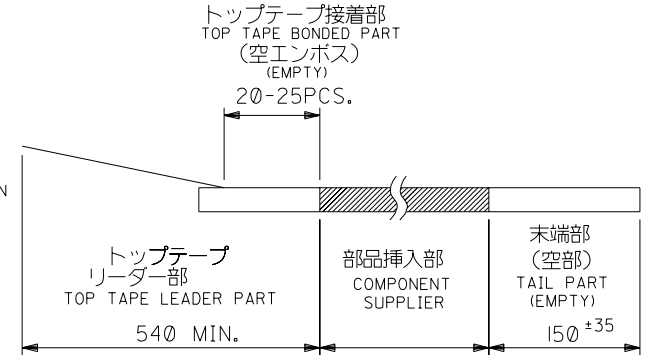
DWG. NO. SD-59110-007



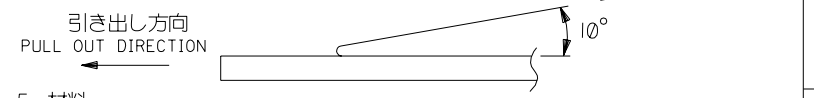
引き出し方向
PULL OUT DIRECTION

NOTES

- 59110-0429の詳細はSD-59110-006参照
IN THE PACKAGE PART NO.59110-0429 DETAILED, SEE SD-59110-006
- 梱包数量: 1000 個/リール
NUMBER OF CONNECTORS: 1000 PCS/REEL
- リードテープ長さ
LEAD TAPE LENGTH

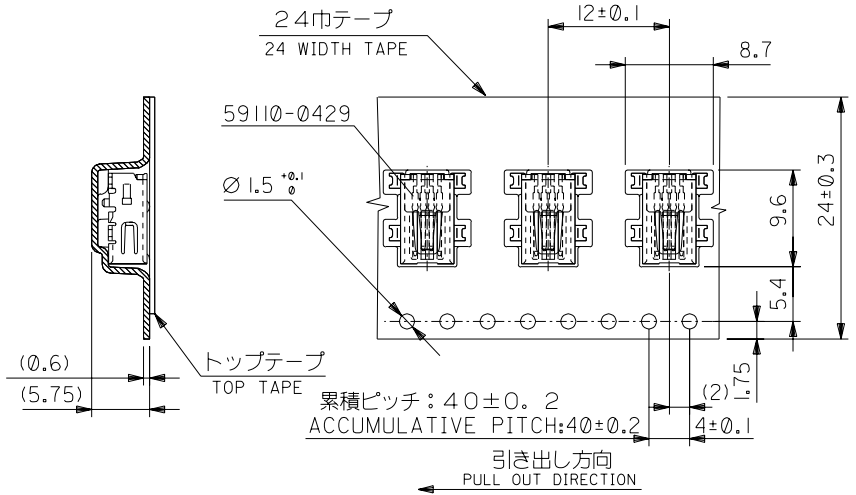


- トップテープの剥離強度: 0.1 ~ 1.3 N { 10 ~ 130gf }
(剥離方向は下図参照) キャリアテープ幅: 24mm
PEEL-OFF FORCE OF TOP TAPE: 0.1 ~ 1.3N { 10 ~ 130gf }
(PEELING DIRECTION AS SHOWN IN FOLLOWING FIG.)
CARRIER TAPE WIDTH
尚、本規格値は、出荷時に適用。
THIS REQUIREMENT SHOULD BE APPLIED AT SHIPMENT
(但し、輸送時に剥離が発生しない事。)
(PEEL OFF SHOULD NOT BE ALLOWED DURING TRANSPORTATION)



- 材料
MATERIAL
キャリアテープ: ポリプロピレン
CARRIER TAPE: POLYPROPYLENE
トップテープ: ポリエステル, ポリエチレン
TOP TAPE: POLYESTER, POLYETHYLENE
リール: ポリスチレン
REEL: POLYSTYRENE

- 本製品は59110-**-**28の鉛フリー品である。
THIS PRODUCT IS LEAD FREE OF 59110-**-**28.



エンボステープ内の製品の向き
DIRECTION OF CONNECTOR IN EMBOSSED TAPE

DO NOT SCALE DRAWING

EC NO. DRWN: CHK: APPR:	EC NO. DRWN: CHK: APPR:	EC NO. DRWN: CHK: APPR:	EC NO. DRWN: CHK: APPR:	EC NO. DRWN: CHK: APPR:	RELEASED EC NO. J2004-3869 DRWN: Y.WADA '04/04/19 CHK: M.SASAO '04/04/19 APPR: M.SASAO '04/04/19	MATERIAL 材料 SEE NOTES	GENERAL TOLERANCES: (UNLESS SPECIFIED) 一般公差	SCALE 2 - 1	MODEL NO. DESIGN UNITS 59110-**-78 THIRD ANGLE PROJECTION	DIMENSIONS: <input type="checkbox"/> mm <input type="checkbox"/> INCH <input checked="" type="checkbox"/> mm ONLY	SHT REV
					DESCRIPTION	FINISH 仕上げ —	10 UNDER 未満	±0.2	DRAWN BY & DATE Y.WADA '04/04/19	TITLE: 0.8 I/O CONN. REC. EMBOSSED ASS'Y -LEAD FREE-	
					WIRE RANGE 適用電線範囲		10 OVER 30 UNDER 以上 未満	±0.25	CHECKED BY & DATE M.SASAO '04/04/19		
					INS. RANGE 被覆外径		30 OVER 以上	±0.3	APPROVED BY & DATE M.SASAO '04/04/19	MOLEX MOLEX INCORPORATED	
							ANGLE 角度	±3°	CAD FILENAME SD-59110-007.S01	MATERIAL NO. 59110-0478	DRAWING NO. SD-59110-007
THIS DRAWING CONTAINS INFORMATION THAT IS PROPRIETARY TO MOLEX INCORPORATED AND SHOULD NOT BE USED WITHOUT WRITTEN PERMISSION.											SIZE B