



Chipsmall Limited consists of a professional team with an average of over 10 year of expertise in the distribution of electronic components. Based in Hongkong, we have already established firm and mutual-benefit business relationships with customers from,Europe,America and south Asia,supplying obsolete and hard-to-find components to meet their specific needs.

With the principle of "Quality Parts,Customers Priority,Honest Operation,and Considerate Service",our business mainly focus on the distribution of electronic components. Line cards we deal with include Microchip,ALPS,ROHM,Xilinx,Pulse,ON,Everlight and Freescale. Main products comprise IC,Modules,Potentiometer,IC Socket,Relay,Connector.Our parts cover such applications as commercial,industrial, and automotives areas.

We are looking forward to setting up business relationship with you and hope to provide you with the best service and solution. Let us make a better world for our industry!



Contact us

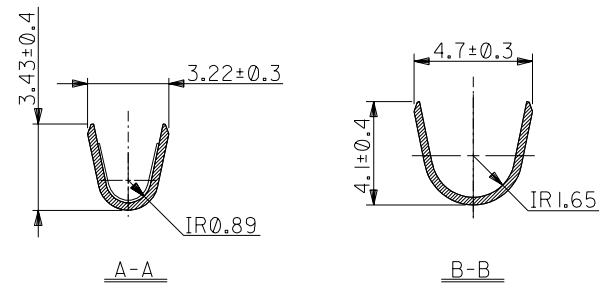
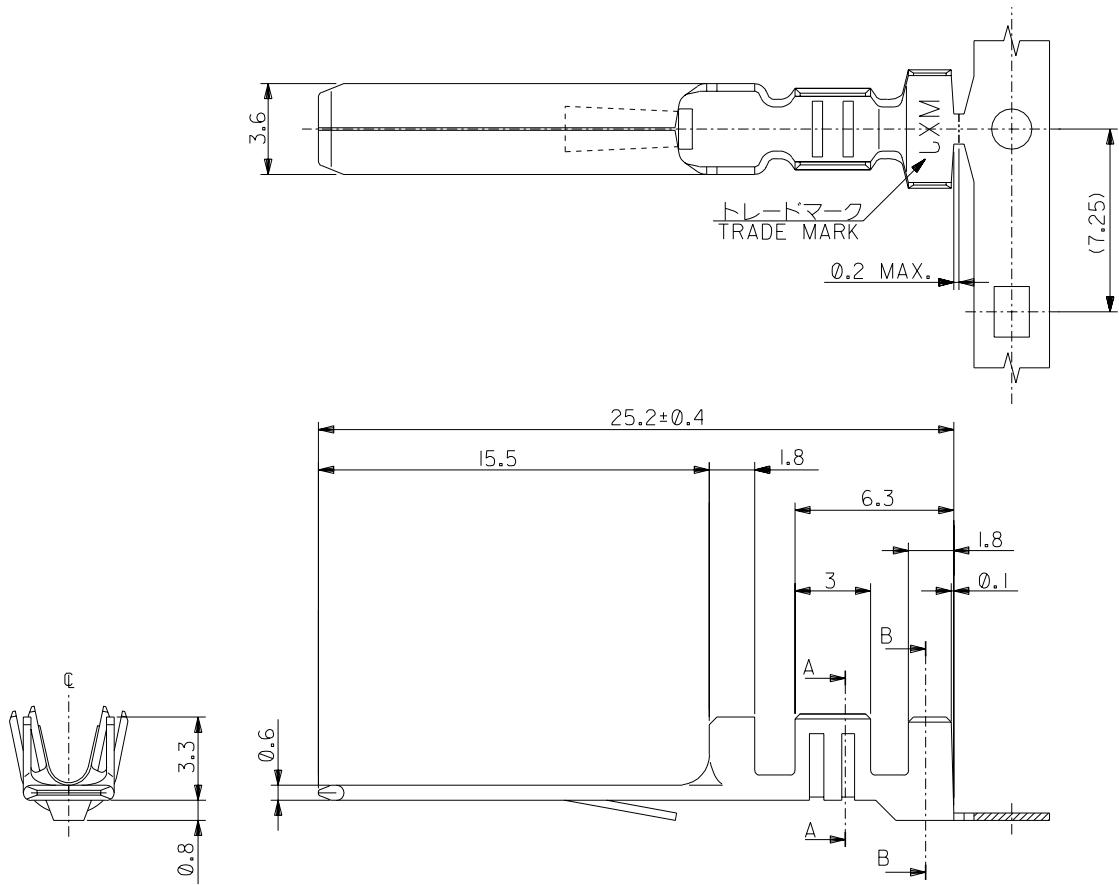
Tel: +86-755-8981 8866 Fax: +86-755-8427 6832

Email & Skype: info@chipsmall.com Web: www.chipsmall.com

Address: A1208, Overseas Decoration Building, #122 Zhenhua RD., Futian, Shenzhen, China



DWG. NO. SD-59320-002



- 注)
NOTES:
1. 材質
MATERIAL
黄銅 (板厚: 0.3)
BRASS (THICKNESS: 0.3)
 2. メッキ仕様
TERMINAL PLATING
接点部 : 金メッキ 0.25 μm MIN.
CONTACT AREA: GOLD 0.25 MICROMETER MIN.
圧着部 : 錫メッキ 1.0 μm MIN.
CRIMP AREA: TIN 1.0 MICROMETER MIN.
下地メッキ : ニッケルメッキ 2.0 μm MIN.
UNDER PLATE: NICKEL 2.0 MICROMETER MIN.
 3. 適用電線範囲 : UL 2517, AWG #16
APPLICABLE WIRE RANGE: UL2517, AWG #16
 4. 被覆外径 : φ2.2~φ2.7
INSULATION EXTERNAL DIA: φ2.2~φ2.7
 5. 適用ハウジングアッセンブリ : 51194 シリーズ
APPLICABLE HOUSING ASS'Y: 51194 SERIES
 6. 本製品は59320-***90の鉛フリー品である。
THIS PRODUCT IS LEAD FREE OF 59320-***90.

バラ状 LOOSE	59320-9128	59320-***28
連鎖状 CHAIN	59320-9028	
端子形状 TERMINAL CONFIGURATION	MATERIAL No.	MODEL No.

DO NOT SCALE DRAWING

EC NO. DRWN: CHK: APPR:	EC NO. DRWN: CHK: APPR:	EC NO. DRWN: CHK: APPR:	EC NO. DRWN: CHK: APPR:	EC NO. DRWN: CHK: APPR:	RELEASED EC NO. J2004-3411 DRWN: Y.WADA '04/03/29 CHK: M.SASAO '04/03/29 APPR: M.SASAO '04/03/29	MATERIAL 材料	GENERAL TOLERANCES: (UNLESS SPECIFIED) 一般公差	SCALE 1:1	DESIGN UNITS <input checked="" type="checkbox"/> mm <input type="checkbox"/> INCH	THIRD ANGLE PROJECTION	DIMENSIONS: <input type="checkbox"/> mm <input type="checkbox"/> INCH <input checked="" type="checkbox"/> mm ONLY	SHT REV	
						FINISH 仕上げ	10 UNDER 未満	±0.2	DRAWN BY & DATE Y.WADA '04/03/29	TITLE: POWER CONN. REC. CRIMP TERMINAL -LEAD FREE-			
						WIRE RANGE 適用電線範囲	10 OVER 30 UNDER 以上 未満	±0.25	CHECKED BY & DATE M.SASAO '04/03/29	MOLEX MOLEX INCORPORATED			
						INS. RANGE 被覆外径	30 OVER 以上	±0.3	APPROVED BY & DATE M.SASAO '04/03/29	CAD FILENAME SD-59320-002.S01	MATERIAL NO. SEE CHART	DRAWING NO. SD-59320-002	SHEET NO. 1 OF 1
THIS DRAWING CONTAINS INFORMATION THAT IS PROPRIETARY TO MOLEX INCORPORATED AND SHOULD NOT BE USED WITHOUT WRITTEN PERMISSION.											SIZE B		