



Chipsmall Limited consists of a professional team with an average of over 10 year of expertise in the distribution of electronic components. Based in Hongkong, we have already established firm and mutual-benefit business relationships with customers from,Europe,America and south Asia,supplying obsolete and hard-to-find components to meet their specific needs.

With the principle of “Quality Parts,Customers Priority,Honest Operation,and Considerate Service”,our business mainly focus on the distribution of electronic components. Line cards we deal with include Microchip,ALPS,ROHM,Xilinx,Pulse,ON,Everlight and Freescale. Main products comprise IC,Modules,Potentiometer,IC Socket,Relay,Connector.Our parts cover such applications as commercial,industrial, and automotives areas.

We are looking forward to setting up business relationship with you and hope to provide you with the best service and solution. Let us make a better world for our industry!



## Contact us

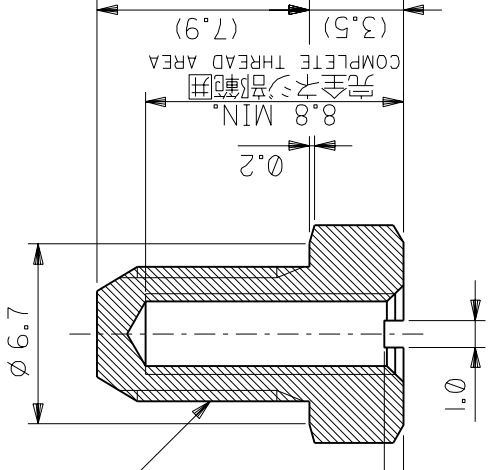
Tel: +86-755-8981 8866 Fax: +86-755-8427 6832

Email & Skype: info@chipsmall.com Web: www.chipsmall.com

Address: A1208, Overseas Decoration Building, #122 Zhenhua RD., Futian, Shenzhen, China



DWG. NO. SD-59811-0000

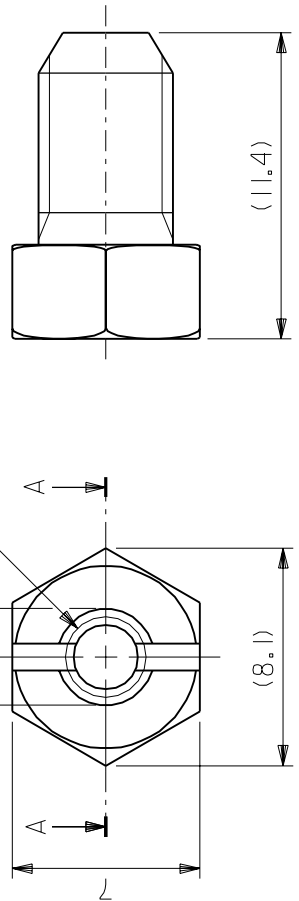


M5x0.5  
メートル細目ねじ  
METRIC FINE  
SCREW THREADS

完全スクリュー範囲  
COMPLETE THREAD AREA  
8.8 MIN.  
(7.9)

断面 A-A  
SECTION A-A

M3x0.5  
メートル粗目ねじ  
METRIC COARSE  
SCREW THREADS



DIMENSIONS IN METRIC DO NOT SCALE DRAWING

角度	±3°
30以上	±0.3
10以上 30未満	±0.25
10未満	±0.2

一般公差  
GENERAL TOLERANCES

変更	1.0	'99/7/26
REVISED	(JD00104)	S.I.
新製作	N.W.	'95/7/5
RELEASED	(JD60017)	M.S.
変更内容	DR.	日付
REVISION RECORD	CHK.	DATE

材料	SUS303	
仕上げ	—#—	
適用電線範囲	—#—	
被覆外径	—#—	
DRAWN BY	'95/7/5	CHK'D BY
尺度	1:1	尺度
APP'D BY	尺度	SCALE
	4-1	

MOLEX-JAPAN CO.,LTD. moLEX 日本モレックス株式会社	
REVISION ONLY ON CAD SYSTEM	REV
TITLE 名称	SD-59811-0000
SCREW LOCK	A
DWG. NO.	REV
SCALE	A

THIS DRAWING CONTAINS INFORMATION THAT IS PROPRIETARY TO MOLEX(JAPAN) AND SHOULD NOT BE USED WITHOUT WRITTEN PERMISSION  
 本図面は日本モレックス(株)の所有する情報を含むもので当社の許可なく複製を禁止する。  
 FNI-01C(032)MX.1-33

ZF3110@03259811.DCN