



Chipsmall Limited consists of a professional team with an average of over 10 year of expertise in the distribution of electronic components. Based in Hongkong, we have already established firm and mutual-benefit business relationships with customers from,Europe,America and south Asia,supplying obsolete and hard-to-find components to meet their specific needs.

With the principle of “Quality Parts,Customers Priority,Honest Operation,and Considerate Service”,our business mainly focus on the distribution of electronic components. Line cards we deal with include Microchip,ALPS,ROHM,Xilinx,Pulse,ON,Everlight and Freescale. Main products comprise IC,Modules,Potentiometer,IC Socket,Relay,Connector.Our parts cover such applications as commercial,industrial, and automotives areas.

We are looking forward to setting up business relationship with you and hope to provide you with the best service and solution. Let us make a better world for our industry!



## Contact us

Tel: +86-755-8981 8866 Fax: +86-755-8427 6832

Email & Skype: info@chipsmall.com Web: www.chipsmall.com

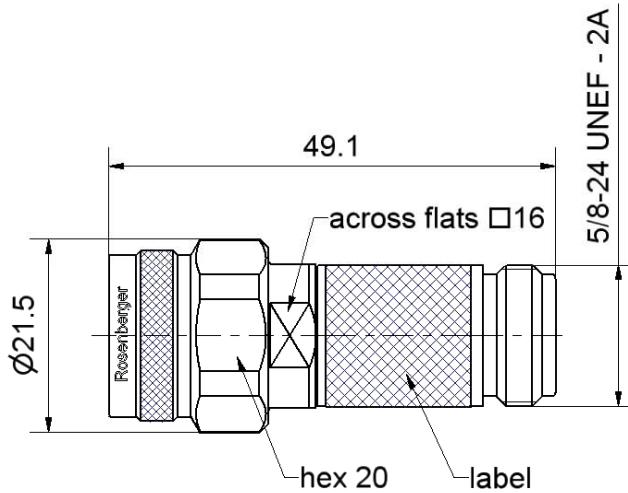
Address: A1208, Overseas Decoration Building, #122 Zhenhua RD., Futian, Shenzhen, China



RPC-N  
50 Ω

Attenuator  
Plug/Jack

**05AS102-K20S3**



All dimensions are in mm; tolerances according to ISO 2768 m-H

**Interface**

According to

IEC 61169-16 ; CECC 22 210 ; MIL-STD 348A/402

**Documents**

N/A

**Material and plating**

**Connector parts**

- Center conductor - plug
- Center conductor - jack
- Outer conductor
- Coupling nut
- Dielectric
- Substrate

**Material**

- Brass
- Beryllium copper
- Stainless steel
- Stainless steel
- PPE
- Al<sub>2</sub>O<sub>3</sub>

**Plating**

- Gold, min. 1.27 μm, over nickel
- Gold, min. 1.27 μm, over nickel
- Passivated
- Passivated

Dieses Dokument ist urheberrechtlich geschützt • This document is protected by copyright • Rosenberger Hochfrequenztechnik GmbH & Co. KG

RF\_35/05.10/6.0

# Technical Data Sheet

# Rosenberger

RPC-N  
50 Ω Attenuator  
Plug/Jack

## 05AS102-K20S3

### Electrical data

Impedance 50 Ω  
Frequency range DC to 18 GHz  
Return loss ≥ 26.4 dB, DC to 4 GHz  
≥ 23.1 dB, 4 GHz to 12.4 GHz  
≥ 19.1 dB, 12.4 GHz to 18 GHz  
Attenuation 20 dB ± 0.3 dB, DC to 4 GHz  
20 dB ± 0.5 dB, 4 GHz to 8 GHz  
20 dB ± 0.8 dB, 8 GHz to 18 GHz  
Power handling 2 W at 25 °C

### Mechanical data

Mating cycles ≥ 500  
Maximum torque 1.70 Nm  
Recommended torque 1.10 Nm  
Gauge - plug 5.28 mm to 5.36 mm  
Gauge - jack 5.18 mm to 5.26 mm

### Environmental data

Operating temperature range<sup>1</sup> 0 °C to +50 °C  
Storage temperature range -40 °C to +85 °C  
2002/95/EC (RoHS) compliant

<sup>1</sup> Temperature range over which these specifications are valid.

### Packing

Standard 1 pce in box  
Weight 59.0 g/pce

While the information has been carefully compiled to the best of our knowledge, nothing is intended as representation or warranty on our part and no statement herein shall be construed as recommendation to infringe existing patents. In the effort to improve our products, we reserve the right to make changes judged to be necessary.

Draft	Date	Approved	Date	Rev.	Engineering change number	Name	Date
Kerstin Herzog	06/01/05	Frank Weiß	24/01/12	e00	11-0832	Marion Striegler	19/01/12

Rosenberger Hochfrequenztechnik GmbH & Co. KG P.O.Box 1260 D-84526 Tittmoning Germany <a href="http://www.rosenberger.de">www.rosenberger.de</a>	Tel. : +49 8684 18-0 Fax : +49 8684 18-499 Email : <a href="mailto:info@rosenberger.de">info@rosenberger.de</a>	Page 2 / 2
--	---	---------------