



Chipsmall Limited consists of a professional team with an average of over 10 year of expertise in the distribution of electronic components. Based in Hongkong, we have already established firm and mutual-benefit business relationships with customers from,Europe,America and south Asia,supplying obsolete and hard-to-find components to meet their specific needs.

With the principle of “Quality Parts,Customers Priority,Honest Operation,and Considerate Service”,our business mainly focus on the distribution of electronic components. Line cards we deal with include Microchip,ALPS,ROHM,Xilinx,Pulse,ON,Everlight and Freescale. Main products comprise IC,Modules,Potentiometer,IC Socket,Relay,Connector.Our parts cover such applications as commercial,industrial, and automotives areas.

We are looking forward to setting up business relationship with you and hope to provide you with the best service and solution. Let us make a better world for our industry!



Contact us

Tel: +86-755-8981 8866 Fax: +86-755-8427 6832

Email & Skype: info@chipsmall.com Web: www.chipsmall.com

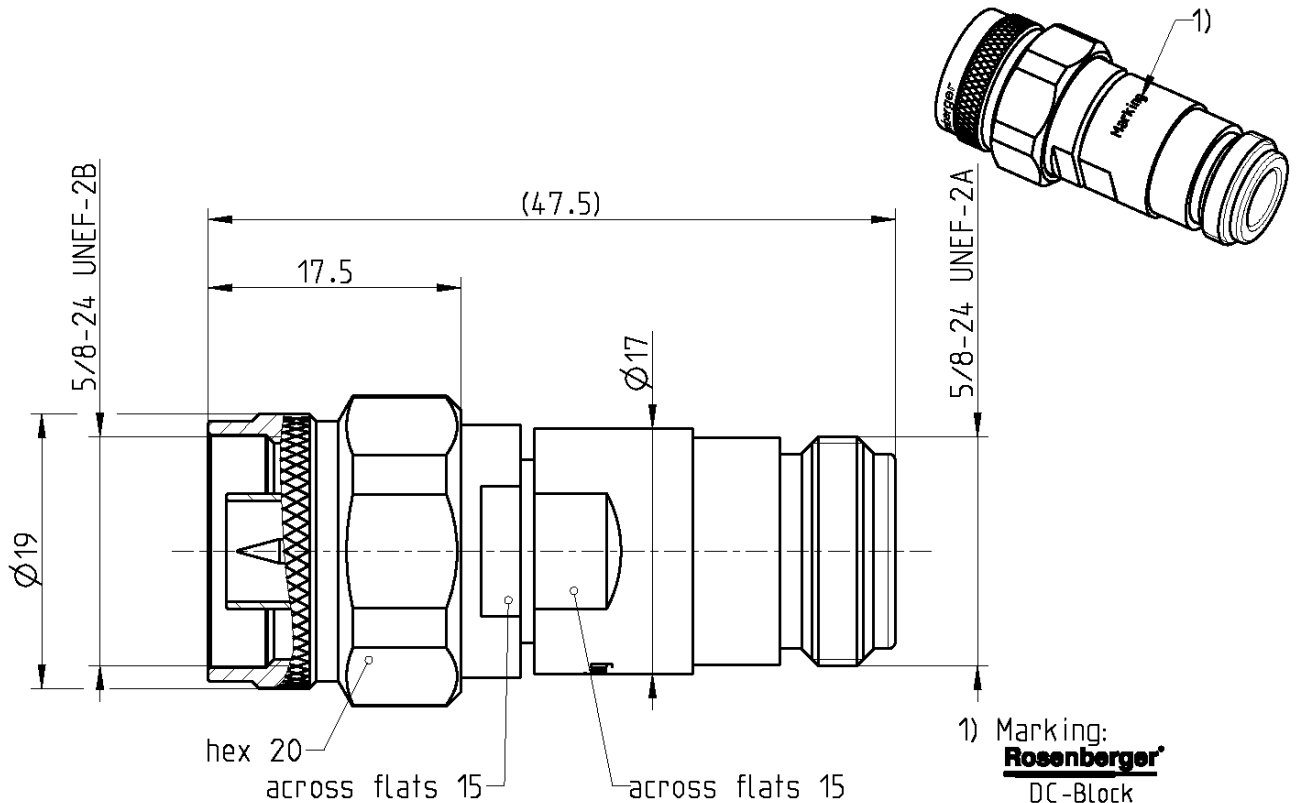
Address: A1208, Overseas Decoration Building, #122 Zhenhua RD., Futian, Shenzhen, China



RPC-N
50 Ω

DC-Block
plug - jack

05DS121-K00S3



1) Marking:
Rosenberger
DC-Block
05DS121-K00
3 MHz to 18 GHz

All dimensions are in mm; tolerances according to ISO 2768 m-H

Interface

According to IEC 61169-16; MIL-STD 348A/402

Documents

N/A

Material and plating

Connector parts

Center contact
Outer contact
Coupling nut
Dielectric

Material

CuBe
Stainless steel
Stainless steel
PPE

Plating

Gold, min. 1.27 µm, over chemical nickel
Passivated
Passivated

Technical Data Sheet

Rosenberger

RPC-N
50 Ω

DC-Block
plug - jack

05DS121-K00S3

Electrical data

Impedance	50 Ω
Frequency	3 MHz to 18 GHz
Return loss	≥ 25 dB, 3 MHz to 18 GHz
Insertion loss	≤ 1.0 dB, 3 MHz to 18 GHz
Insulation resistance	≥ 5 GΩ
Working voltage (at sea level)	50 Vdc max.
Capacity	3000 pF
Block type	Center contact only

Mechanical data

Mating cycles	≥ 500
Center contact captivation	≥ 28 N
Coupling test torque	1.70 Nm
Recommended torque	0.70 Nm to 1.10 Nm

Environmental data

Temperature range	-40°C to +85°C
Thermal shock	IEC 61169-1, Subclause 9.4.4
Corrosion	IEC 61169-1, Subclause 9.4.6
Vibration	IEC 61169-1, Subclause 9.3.3
Shock	IEC 61169-1, Subclause 9.3.14
Moisture resistance	IEC 61169-1, Subclause 9.4.3
RoHS	compliant

Tooling

N/A

Suitable cables

N/A

Weight

61.5 g/pce

While the information has been carefully compiled to the best of our knowledge, nothing is intended as representation or warranty on our part and no statement herein shall be construed as recommendation to infringe existing patents. In the effort to improve our products, we reserve the right to make changes judged to be necessary.

Draft	Date	Approved	Date	Rev.	Engineering change number	Name	Date
H. Babinger	27.07.04	F. Reiner	02.07.18	d01	18-1026	M. Ruf	29.06.18

Rosenberger Hochfrequenztechnik GmbH & Co. KG
P.O.Box 1260 D-84526 Tittmoning Germany
www.rosenberger.de

Tel. : +49 8684 18-0
Email : info@rosenberger.de

Page

2 / 2