



Chipsmall Limited consists of a professional team with an average of over 10 year of expertise in the distribution of electronic components. Based in Hongkong, we have already established firm and mutual-benefit business relationships with customers from,Europe,America and south Asia,supplying obsolete and hard-to-find components to meet their specific needs.

With the principle of “Quality Parts,Customers Priority,Honest Operation,and Considerate Service”,our business mainly focus on the distribution of electronic components. Line cards we deal with include Microchip,ALPS,ROHM,Xilinx,Pulse,ON,Everlight and Freescale. Main products comprise IC,Modules,Potentiometer,IC Socket,Relay,Connector.Our parts cover such applications as commercial,industrial, and automotives areas.

We are looking forward to setting up business relationship with you and hope to provide you with the best service and solution. Let us make a better world for our industry!



## Contact us

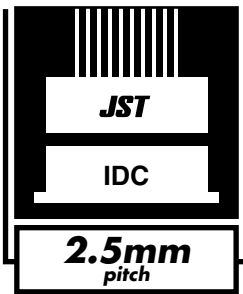
Tel: +86-755-8981 8866 Fax: +86-755-8427 6832

Email & Skype: info@chipsmall.com Web: www.chipsmall.com

Address: A1208, Overseas Decoration Building, #122 Zhenhua RD., Futian, Shenzhen, China

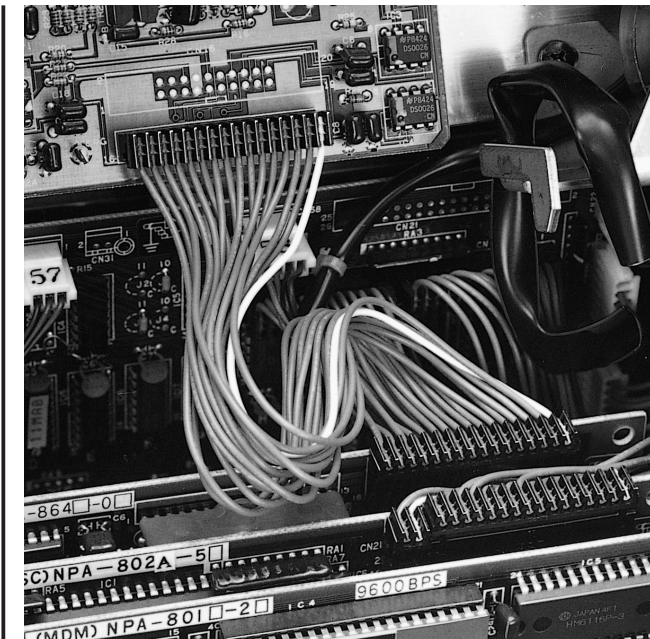
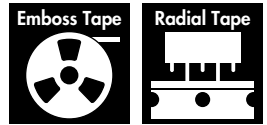




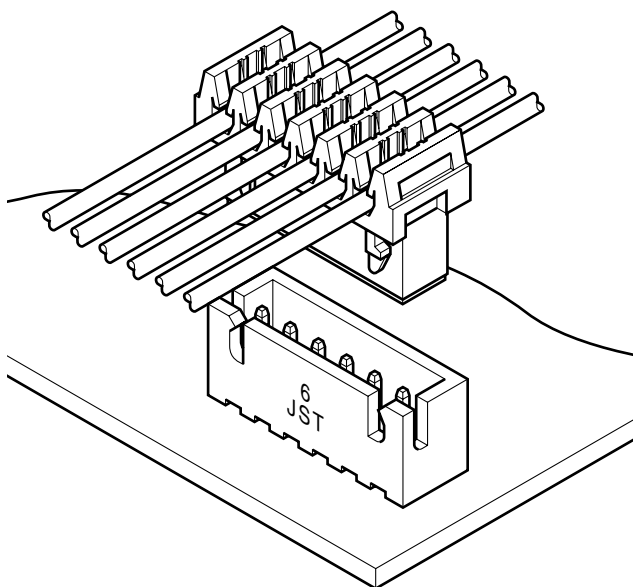


# NRD CONNECTOR

Disconnectable Insulation displacement connectors



**This 2.5mm pitch insulation displacement connector is another version of the NR connector for printed circuit boards. The NRD connector allows daisy chaining and is very useful in simplifying connection systems in electronic equipment.**



## Features

### • Daisy chain connection

The connection shown in the figure is commonly called "daisy chain connection"s or "through connection"s. With these simple connections, many signals can be bussed to many different printed circuit boards. The NRD connector is constructed to allow such daisy chain connections.

### • Reliable insulation displacement construction

The contact is identical to that of the NR connector which has an established reputation for superb reliability.

### • Strain relief

Two strain relief sections are provided on the housing to decouple vibration, bending forces and other external stresses from the insulation displacement section.

### • Interchangeability

The shrouded header is interchangeable with the XH connectors (crimp style), the NR connectors (IDC style), and the JQ connectors (board-to-board style).

## Specifications

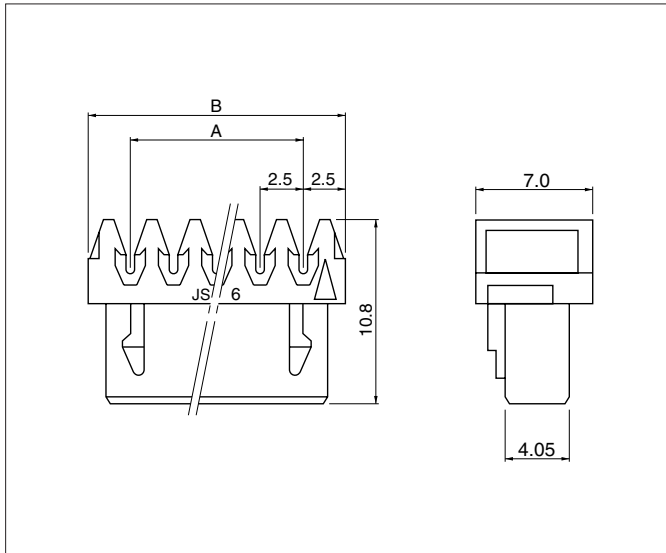
- Current rating: 2A AC, DC (AWG #24)
- Voltage rating: 250V AC, DC
- Temperature range: -25°C to +85°C  
(including temperature rise in applying electrical current)
- Contact resistance: Initial value/10m Ω max.  
After environmental testing/20m Ω max.
- Insulation resistance: 1,000M Ω min.
- Withstanding voltage: 1,500V AC/minute
- Applicable wire: UL1007(Contact JST for details regarding other UL wires.)  
AWG #28, #26, #24  
Conductor/7 strands, tin-coated  
Insulation O.D./1.1 to 1.5mm
- Applicable PC board thickness: 1.6mm
- \* Compliant with RoHS.
- \* Refer to "General Instruction and Notice when using Terminals and Connectors" at the end of this catalog.
- \* Contact JST for details.

## Standards

Recognized E60389

Certified LR20812

## Receptacle



Cir- cuits	Model No.			Dimensions (mm)		Q'ty / box
	AWG #28 (green)	AWG #26 (natural/white)	AWG #24 (black)	A	B	
2	02NR-D8M-P	02NR-D6S-P	02NR-D4K-P	2.5	7.5	1,000
3	03NR-D8M-P	03NR-D6S-P	03NR-D4K-P	5.0	10.0	1,000
4	04NR-D8M-P	04NR-D6S-P	04NR-D4K-P	7.5	12.5	1,000
5	05NR-D8M-P	05NR-D6S-P	05NR-D4K-P	10.0	15.0	500
6	06NR-D8M-P	06NR-D6S-P	06NR-D4K-P	12.5	17.5	500
7	07NR-D8M-P	07NR-D6S-P	07NR-D4K-P	15.0	20.0	500
8	08NR-D8M-P	08NR-D6S-P	08NR-D4K-P	17.5	22.5	500
9	09NR-D8M-P	09NR-D6S-P	09NR-D4K-P	20.0	25.0	250
10	10NR-D8M-P	10NR-D6S-P	10NR-D4K-P	22.5	27.5	250
12	12NR-D8M-P	12NR-D6S-P	12NR-D4K-P	27.5	32.5	250
14	14NR-D8M-P	14NR-D6S-P	14NR-D4K-P	32.5	37.5	200
16	16NR-D8M-P	16NR-D6S-P	16NR-D4K-P	37.5	42.5	200

### Material and Finish

Contact: Phosphor bronze, tin-plated (reflow treatment)  
Housing: PA 66, UL94V-0

### RoHS compliance

<For reference> As the color identification, the following alphabet shall be put in the underlined part. For availability, delivery and minimum order quantity, contact JST.

ex. **02NR-D8M-P**

K...black [standard color for AWG#24]

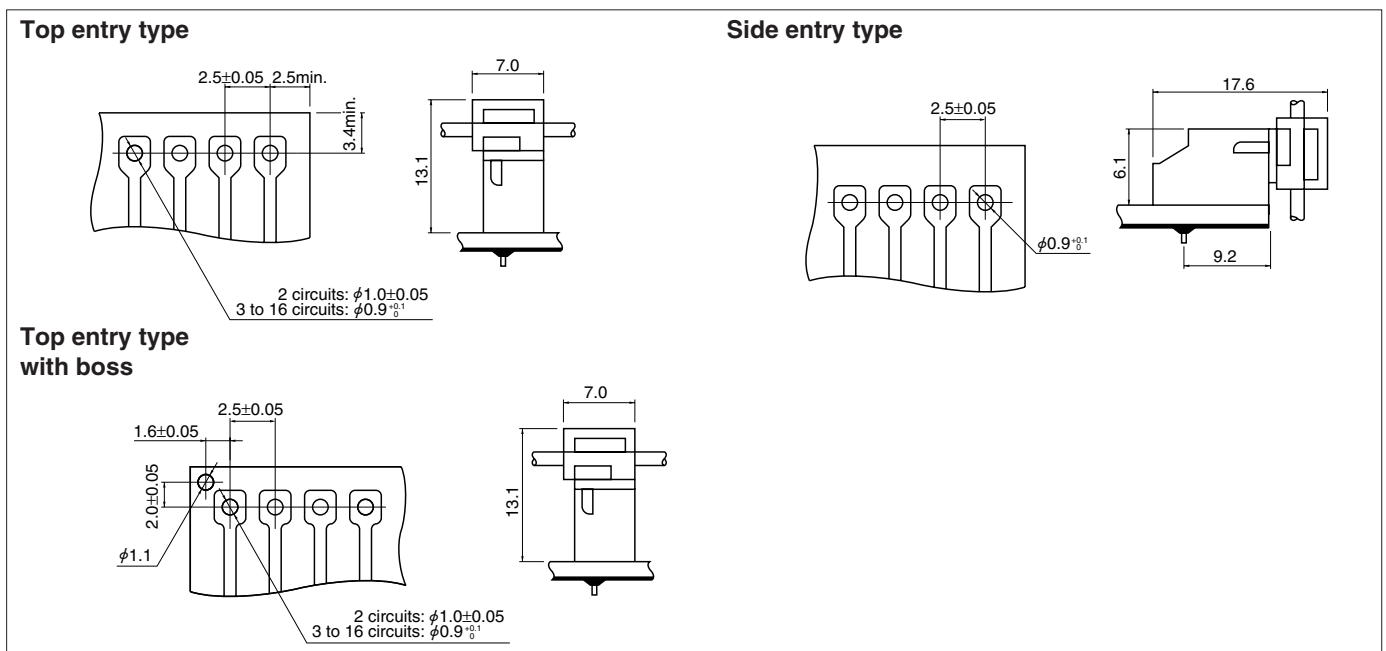
S...natural (white) [standard color for AWG#26]

M...green [standard color for AWG#28]

## Shrouded header

The shrouded headers are interchangeable with the XH connectors (crimp style), the NR connectors (IDC style), and the JQ connectors (board-to-board).

## PC board layout (viewed from soldering side) and Assembly layout



### Note:

1. Tolerances are non-cumulative:  $\pm 0.05\text{mm}$  for all centers.
2. Hole dimensions differ according to the kind of PC board and piercing method. If PC boards made of hard material are used, the hole dimensions should be larger. The dimensions above should serve as a guideline. Contact JST for details.