



Chipsmall Limited consists of a professional team with an average of over 10 year of expertise in the distribution of electronic components. Based in Hongkong, we have already established firm and mutual-benefit business relationships with customers from,Europe,America and south Asia,supplying obsolete and hard-to-find components to meet their specific needs.

With the principle of “Quality Parts,Customers Priority,Honest Operation,and Considerate Service”,our business mainly focus on the distribution of electronic components. Line cards we deal with include Microchip,ALPS,ROHM,Xilinx,Pulse,ON,Everlight and Freescale. Main products comprise IC,Modules,Potentiometer,IC Socket,Relay,Connector.Our parts cover such applications as commercial,industrial, and automotives areas.

We are looking forward to setting up business relationship with you and hope to provide you with the best service and solution. Let us make a better world for our industry!



## Contact us

Tel: +86-755-8981 8866 Fax: +86-755-8427 6832

Email & Skype: info@chipsmall.com Web: www.chipsmall.com

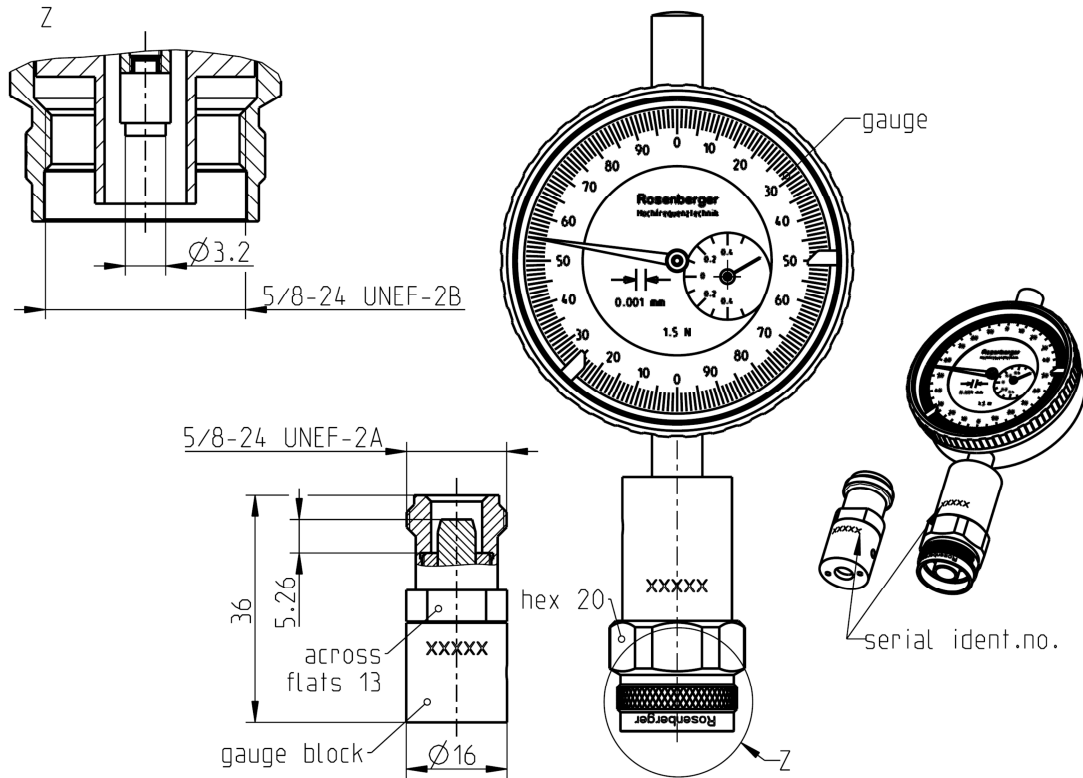
Address: A1208, Overseas Decoration Building, #122 Zhenhua RD., Futian, Shenzhen, China



RPC-N 50 Ω  
RPC-N 75 Ω

Gauge Jack

**05W00K-000**



All dimensions are in mm; tolerances according to ISO 2768 m-H

**Documents**

Application note

AN001 "Calibration Services"

**Material and plating**

**Connector parts**

Center and outer contact  
Coupling nut  
Gauge block body

**Material**

Stainless steel  
Stainless steel  
Stainless steel

**Plating**

N/A  
Passivated  
N/A

**Mechanical data**

Gauge block nominal gauge 5.26 mm  
Gauge range 5.26 mm ± 0.5 mm  
Scale gradation 1 µm  
Limit of measurement error<sup>1,2</sup> ≤ 10 µm  
Typical measurement error<sup>1,2</sup> ≤ 6 µm  
Measuring force 1.5 N

<sup>1</sup> When zeroed with gauge block  
<sup>2</sup> 5.14 mm to 5.30 mm

RPC-N 50 Ω  
RPC-N 75 Ω

Gauge Jack

**05W00K-000**

**Declaration of calibration options**

**Factory Calibration**

Standard delivery for this gauge includes a Factory Calibration. The Calibration Certificate issued reports individual mechanical calibration results, traceable to national / international standards.

**Accredited Calibration**

Not available.

*For further, more detailed information see application note AN001 on the Rosenberger homepage.*

**Calibration interval**

Recommendation 12 months

**Packing**

Standard 1 pce in box  
Weight 249 g/pce

While the information has been carefully compiled to the best of our knowledge, nothing is intended as representation or warranty on our part and no statement herein shall be construed as recommendation to infringe existing patents. In the effort to improve our products, we reserve the right to make changes judged to be necessary.

| Draft  | Date     | Approved     | Date     | Rev.  | Engineering change number | Name             | Date          |
|--|----------|--------------|----------|---|---------------------------|------------------|---------------|
| Herbert Babinger   | 09.03.05 | Martin Moder | 29.01.15 | g00   | 14-1492                   | Herbert Babinger | 29.01.15      |
| Rosenberger Hochfrequenztechnik GmbH & Co. KG<br>P.O.Box 1260 D-84526 Tittmoning Germany<br>www.rosenberger.de |          |              |          | Tel. : +49 8684 18-0<br>Email : info@rosenberger.de |                           |                  | Page<br>2 / 2 |