



Chipsmall Limited consists of a professional team with an average of over 10 year of expertise in the distribution of electronic components. Based in Hongkong, we have already established firm and mutual-benefit business relationships with customers from,Europe,America and south Asia,supplying obsolete and hard-to-find components to meet their specific needs.

With the principle of “Quality Parts,Customers Priority,Honest Operation,and Considerate Service”,our business mainly focus on the distribution of electronic components. Line cards we deal with include Microchip,ALPS,ROHM,Xilinx,Pulse,ON,Everlight and Freescale. Main products comprise IC,Modules,Potentiometer,IC Socket,Relay,Connector.Our parts cover such applications as commercial,industrial, and automotives areas.

We are looking forward to setting up business relationship with you and hope to provide you with the best service and solution. Let us make a better world for our industry!



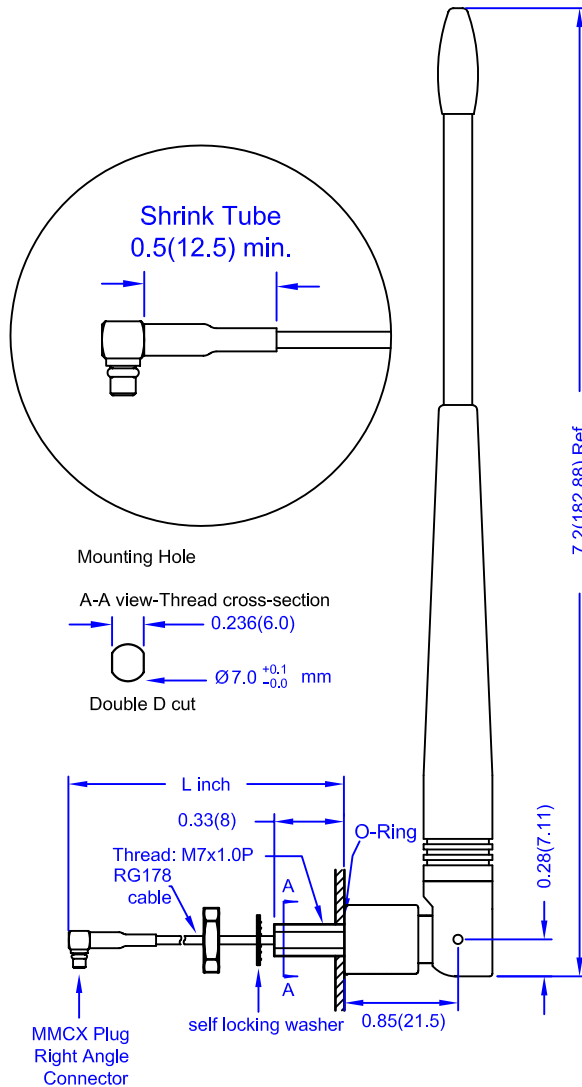
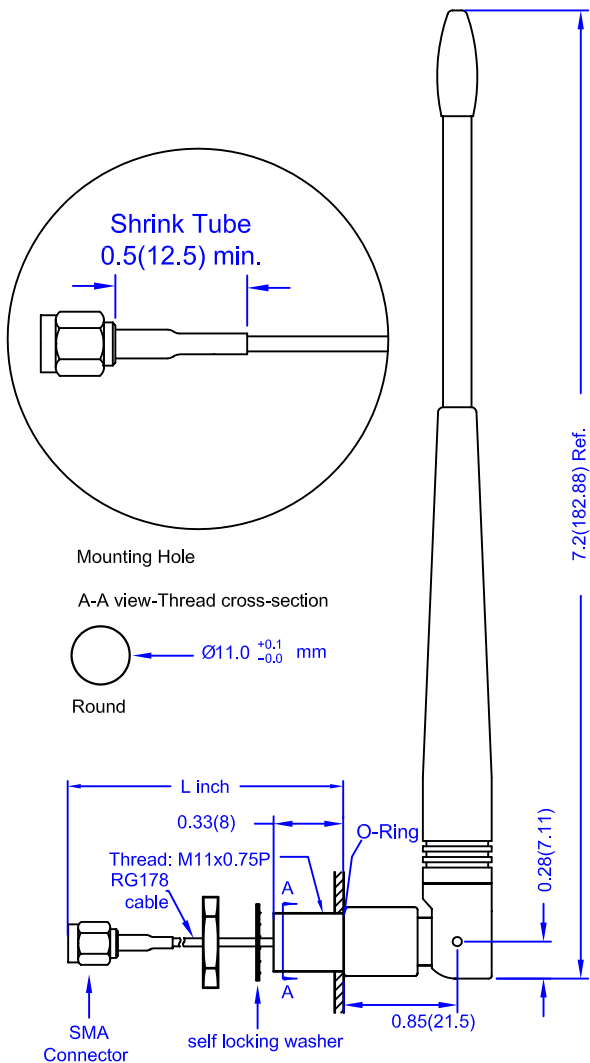
Contact us

Tel: +86-755-8981 8866 Fax: +86-755-8427 6832

Email & Skype: info@chipsmall.com Web: www.chipsmall.com

Address: A1208, Overseas Decoration Building, #122 Zhenhua RD., Futian, Shenzhen, China





Electrical Properties:

Frequency Range: 902~928 MHz
 Impedance: 50Ω nominal
 VSWR: <2.0:1
 Gain: *2.0 dBi
 Radiation: Omni
 Polarization: Vertical
 Wave: Half-Wave Dipole

*Gain is measured under no flying lead.

Mechanical Properties:

Cable: M17/93-RG178; Harbour Industries
 Cable Length: Standard length L=5 inches.
 or to be specified.

Material:
 Overmold: Polyurethane(Black); BASF
 Swivel: Polyurethane(Black); BASF and
 Polycarbonate(Black); Bayer

Operation Temp.: -20°C to +65°C
 Storage Temp.: -30°C to +75°C

TITLE	900MHz Fixed Mount Swivel Antenna - 467 Model	DATE	SHEET
		020905	1 of 2
UNIT	DWG. NO.	S467FL-L-XXX-915S	
in.(mm)			
SCALE	NEARSON		
0.7:1			

L (inch)	Attenuation (dB)
3"	0.13 dB
4"	0.17 dB
5"	0.22 dB
6"	0.26 dB
8"	0.34 dB
10"	0.43 dB
12"	0.52 dB

Flying Lead Cable Length v.s. Attenuation Table
Standard M17/93-RG178 Cable Measured @1.0GHz

Connector Code -XX-	Description	P / N
AM	SMA Plug	S467FL-L-AM-915S
AH	SMA Plug Reverse Polarity	S467FL-L-AH-915S
RMM	MMCX Plug Right Angle	S467FL-L-RMM-915S



SMA Plug
(AM)



SMA Plug Reverse Polarity
(AH)



MMCX Plug Right Angle
(RMM)

Connector Type

TITLE	900MHz Fixed Mount Swivel Antenna - 467 Model	DATE	SHEET
		020905	2 of 2
UNIT	DWG. NO.	S467FL-L-XXX-915S	
in.(mm)			
SCALE			
none			