



Chipsmall Limited consists of a professional team with an average of over 10 year of expertise in the distribution of electronic components. Based in Hongkong, we have already established firm and mutual-benefit business relationships with customers from,Europe,America and south Asia,supplying obsolete and hard-to-find components to meet their specific needs.

With the principle of “Quality Parts,Customers Priority,Honest Operation,and Considerate Service”,our business mainly focus on the distribution of electronic components. Line cards we deal with include Microchip,ALPS,ROHM,Xilinx,Pulse,ON,Everlight and Freescale. Main products comprise IC,Modules,Potentiometer,IC Socket,Relay,Connector.Our parts cover such applications as commercial,industrial, and automotives areas.

We are looking forward to setting up business relationship with you and hope to provide you with the best service and solution. Let us make a better world for our industry!



Contact us

Tel: +86-755-8981 8866 Fax: +86-755-8427 6832

Email & Skype: info@chipsmall.com Web: www.chipsmall.com

Address: A1208, Overseas Decoration Building, #122 Zhenhua RD., Futian, Shenzhen, China



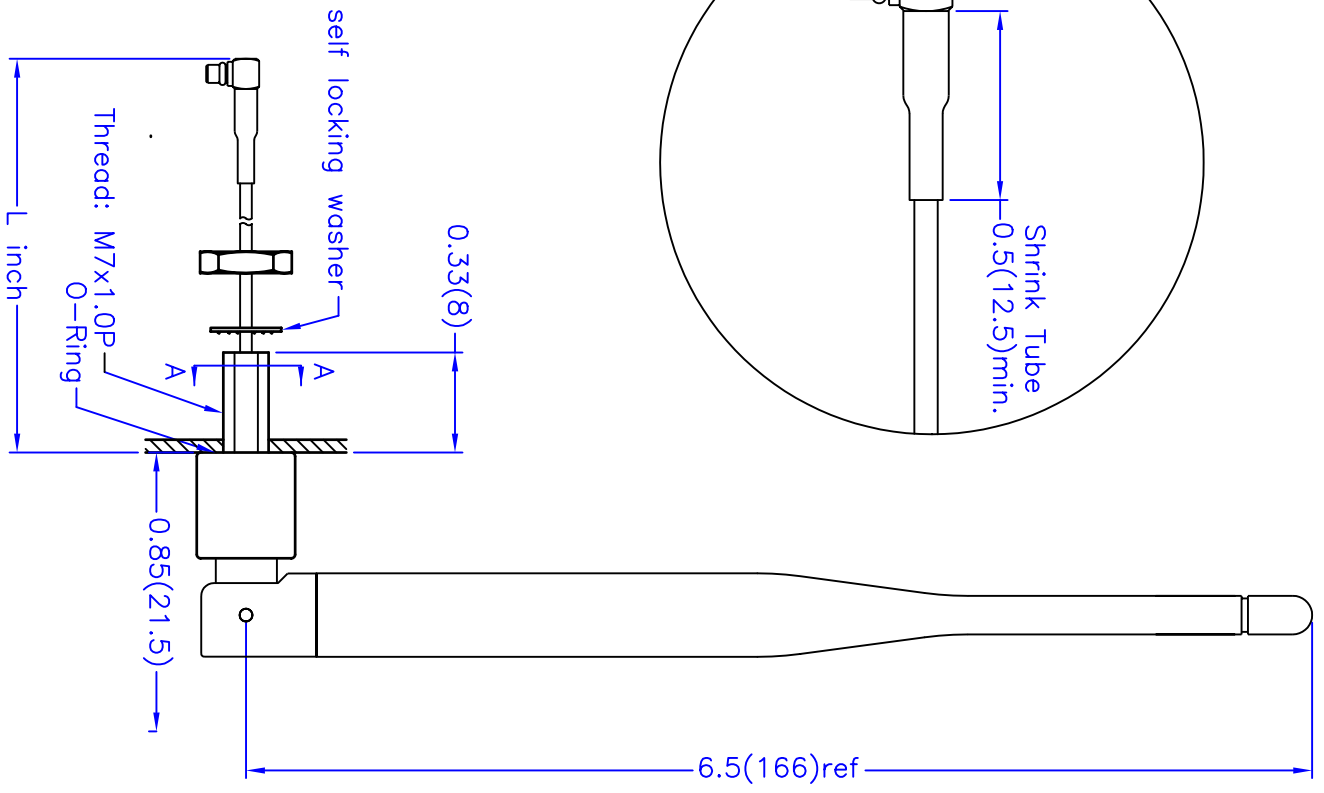
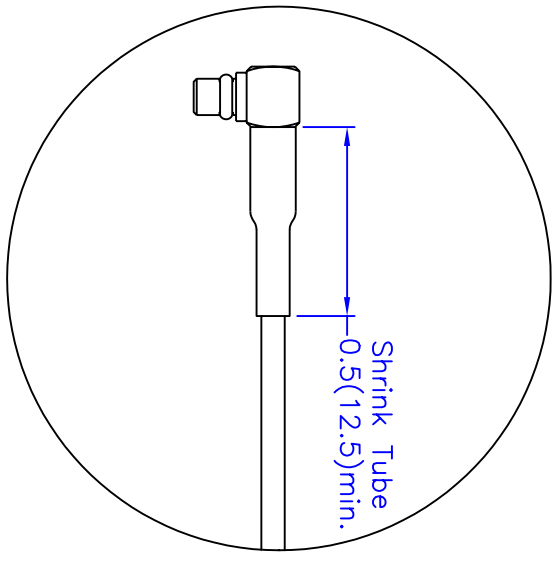
P/N S151FL-L-RMM-2450S

Alternative Connectors

Straight MMCX Plug

P/N: S151FL-L-MM-2450S

ECN	Date	Description
	8/30/02	change mounting thread/hole from round to double D-cut

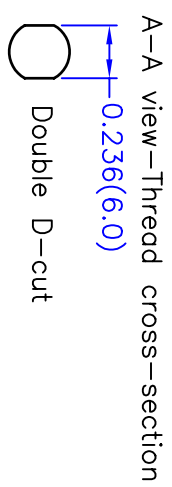


Electrical Properties:

Frequency Range: 2.4~2.5 GHz
 Impedance: 50Ω nominal
 VSWR: <2.0:1
 Gain: *5.0 dBi
 Radiation: Omni
 Polarization: Vertical
 *Gain is measured under without flying lead.

Mechanical Properties:

Cable: M17/93-RG178; Harbour Industries
 Cable Length: Standard length L=5 inches. or to be specified.
 Connector: R/A MMCX Plug(male); Nearson 25-03M-TGG
 Material:
 Overmold: Polyurethane(Black); BASF
 Swivel: Polycarbonate(Black); Bayer
 Operation Temp.: -20°C to +65°C
 Storage Temp.: -30°C to +75°C



TITLE	UNIT	SCALE	DATE	SHEET
2.4GHz Fixed Mount Swivel Antenna - 151 Model	in.(mm)	None		1 of 2
DWG. NO. S151FL-L-RMM-2450S		NEARSON		

P/N S151FL-L-RMM-2450S

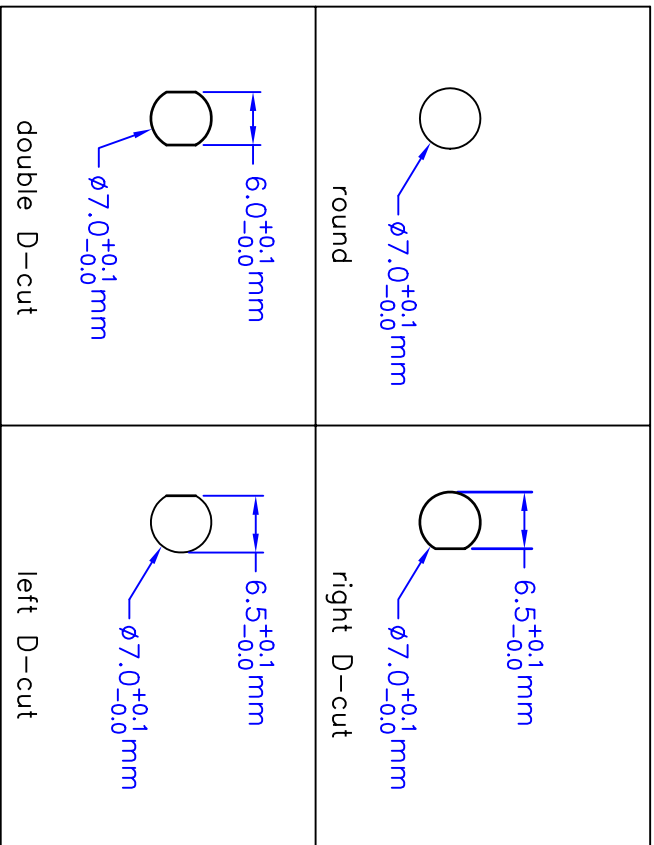
Alternative Connectors

.Straight MMCX Plug

P/N: S151FL-L-MM-2450S

ECN	Date	Description
-----	------	-------------

8/30/02	change mounting thread/hole from round to double D-cut
---------	--



Recommended Mounting—Hole Dimensions

L (inch)	Attenuation (dB)
3"	0.20 dB
4"	0.27 dB
5"	0.33 dB
6"	0.40 dB
8"	0.53 dB
10"	0.66 dB
12"	0.79 dB

Flying Lead Cable Length v.s. Attenuation Table
Standard M17/93-RG178 Cable Measured @ 2.4GHz

TITLE	2.4GHz Fixed Mount Swivel Antenna - 151 Model	DATE	SHEET
UNIT	DWG. NO. S151FL-L-RMM-2450S		2 of 2
in.(mm)			
SCALE			
None			

NEARSON