



Chipsmall Limited consists of a professional team with an average of over 10 year of expertise in the distribution of electronic components. Based in Hongkong, we have already established firm and mutual-benefit business relationships with customers from,Europe,America and south Asia,supplying obsolete and hard-to-find components to meet their specific needs.

With the principle of "Quality Parts,Customers Priority,Honest Operation,and Considerate Service",our business mainly focus on the distribution of electronic components. Line cards we deal with include Microchip,ALPS,ROHM,Xilinx,Pulse,ON,Everlight and Freescale. Main products comprise IC,Modules,Potentiometer,IC Socket,Relay,Connector.Our parts cover such applications as commercial,industrial, and automotives areas.

We are looking forward to setting up business relationship with you and hope to provide you with the best service and solution. Let us make a better world for our industry!



## Contact us

Tel: +86-755-8981 8866 Fax: +86-755-8427 6832

Email & Skype: info@chipsmall.com Web: www.chipsmall.com

Address: A1208, Overseas Decoration Building, #122 Zhenhua RD., Futian, Shenzhen, China



P/N S181FL-L-RMM-2450S

**Alternative Connectors**

*Straight MMCX Plug*

P/N: S181FL-L-MM-2450S

ECN

Date

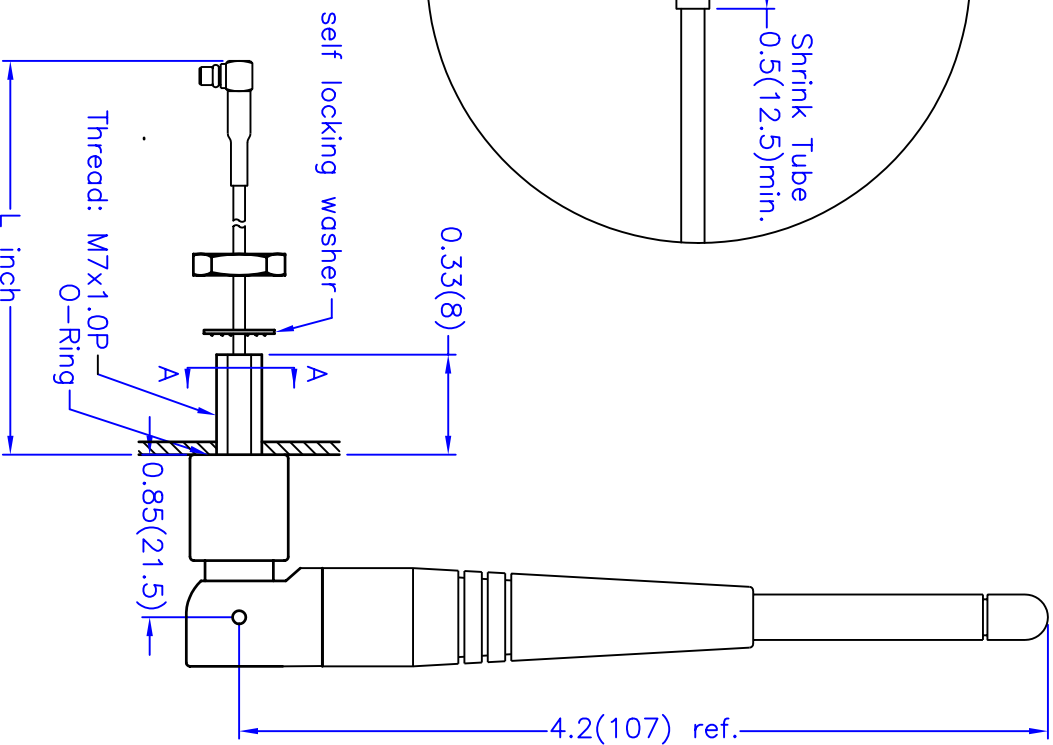
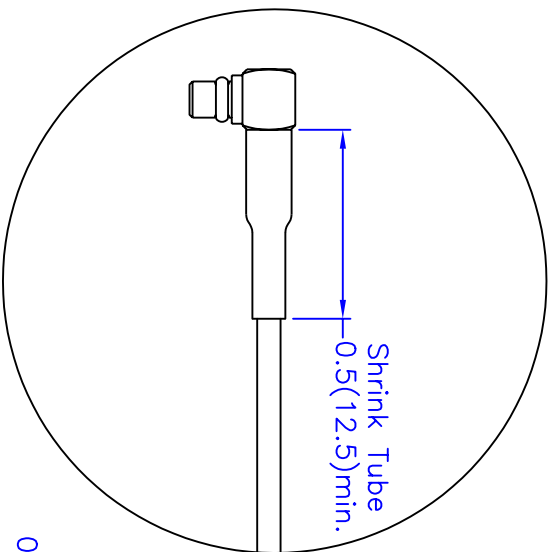
Description

5/30/02

change mounting thread/hole from round to double D-cut

6/15/02

Supersede P/N S181FL-L-RMM-2450S-DR



A-A view—Thread cross-section

0.236(6.0)



Double D-cut

**Electrical Properties:**

- Frequency Range: 2.4~2.5 GHz
  - Impedance: 50Ω nominal
  - VSWR: <2.0:1
  - Gain: \*2.0 dBi
  - Radiation: Omni
  - Polarization: Vertical
- \*Gain is measured under no flying lead.

**Mechanical Properties:**

- Cable: M17/93-RG178; Harbour Industries
- Cable Length: Standard length L=5 inches. or to be specified.
- Connector: R/A MMCX Plug(male); Nearson 25-03M-TGG
- Material: Overmold: Polyurethane(Black); BASF  
Swivel: Polyurethane(Black); BASF and Polycarbonate(Black); Bayer
- Operation Temp.: -20°C to +65°C
- Storage Temp.: -30°C to +75°C

TITLE	2.4GHz Fixed Mount Swivel Antenna — 181 Model	DATE	SHEET
UNIT	DWG. NO.		1 of 2
in.(mm)	S181FL-L-RMM-2450S		
SCALE	<b>NEARSON</b>		
None			

P/N S181FL-L-RMM-2450S

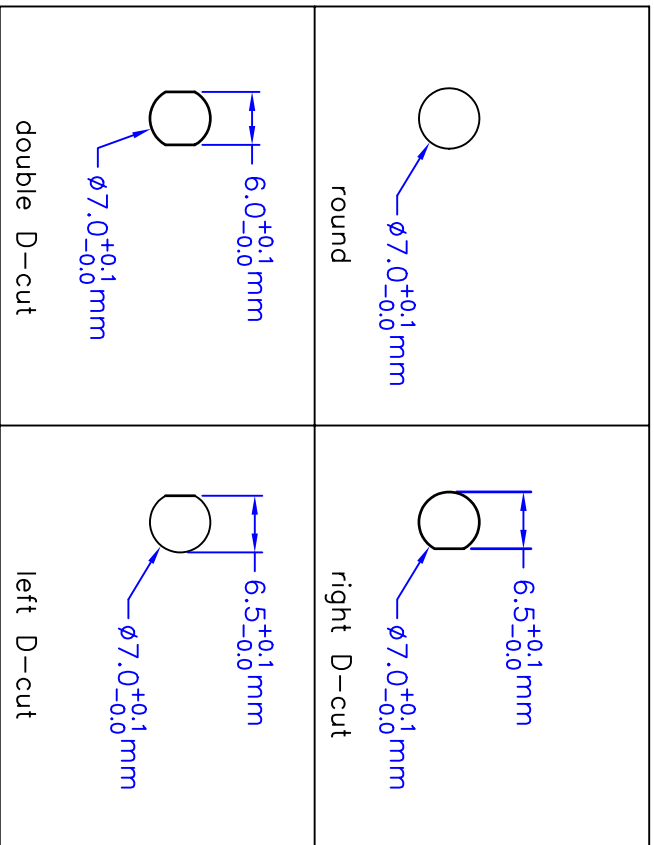
**Alternative Connectors**

.Straight MMCX Plug

P/N: S181FL-L-MM-2450S

ECN Date Description

5/30/02	change mounting thread/hole from round to double D-cut
6/15/02	Supersede P/N S181FL-L-RMM-2450S-DR



Recommended Mounting-Hole Dimensions

L (inch)	Attenuation (dB)
3"	0.20 dB
4"	0.27 dB
5"	0.33 dB
6"	0.40 dB
8"	0.53 dB
10"	0.66 dB
12"	0.79 dB

Fyling Lead Cable Length v.s. Attenuation Table  
 Standard M17/93-RG178 Cable Measured @ 2.4GHz

TITLE	2.4GHz Fixed Mount Swivel Antenna - 181 Model	DATE	SHEET
UNIT	DWG. NO. S181FL-L-RMM-2450S		2 of 2
in.(mm)			
SCALE			
None			

**NEARSON**