



Chipsmall Limited consists of a professional team with an average of over 10 year of expertise in the distribution of electronic components. Based in Hongkong, we have already established firm and mutual-benefit business relationships with customers from,Europe,America and south Asia,supplying obsolete and hard-to-find components to meet their specific needs.

With the principle of “Quality Parts,Customers Priority,Honest Operation,and Considerate Service”,our business mainly focus on the distribution of electronic components. Line cards we deal with include Microchip,ALPS,ROHM,Xilinx,Pulse,ON,Everlight and Freescale. Main products comprise IC,Modules,Potentiometer,IC Socket,Relay,Connector.Our parts cover such applications as commercial,industrial, and automotives areas.

We are looking forward to setting up business relationship with you and hope to provide you with the best service and solution. Let us make a better world for our industry!



Contact us

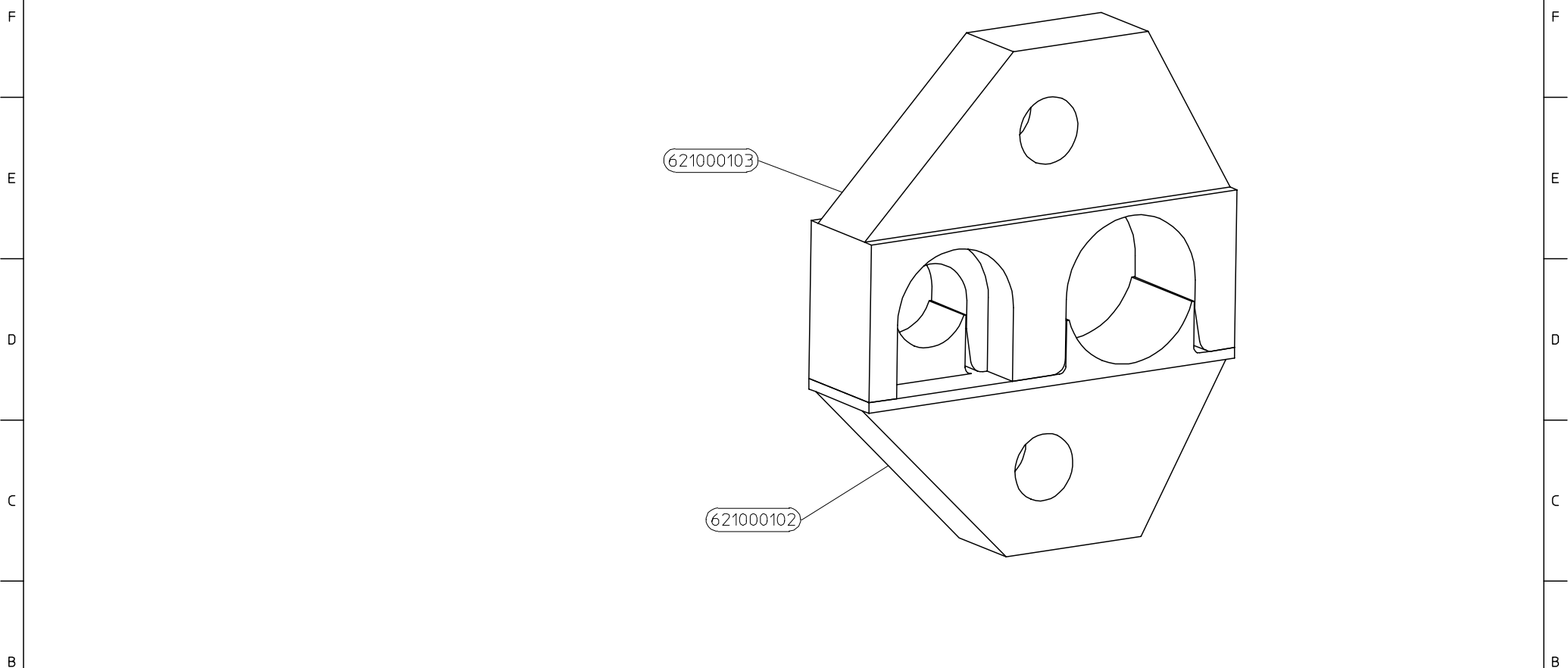
Tel: +86-755-8981 8866 Fax: +86-755-8427 6832

Email & Skype: info@chipsmall.com Web: www.chipsmall.com

Address: A1208, Overseas Decoration Building, #122 Zhenhua RD., Futian, Shenzhen, China



10 9 8 7 6 5 4 3 2 62100



621000103

621000102

REL FOR PRODUCTION EC NO: UAT1999-0712 DRW: ESTENSTR99/03/30 CHK: ESTENSTR99/03/30 APPR: ESTENSTR99/03/30	REV DESCRIPTION	QUALITY SYMBOLS	GENERAL TOLERANCES (UNLESS SPECIFIED)		SCALE 4:1	DESIGN UNITS mm	THIRD ANGLE PROJECTION	REVISE ON CAD ONLY		
		▼ -0 ▽ -0	mm	INCH	DIMENSION STYLE		FERRULE CRIMP DIES			
			4 PLACES ± ---	± ---	mm only					
			3 PLACES ± ---	± ---	DRAWN BY DATE		71256-0001 FERRULE			
2 PLACES ± ---	± ---	ESTenstr1999/03/30								
1 PLACE ± ---	± ---	CHECKED BY DATE		MOLEX INCORPORATED						
ANGULAR ± 1/2 °		ESTenstr1999/03/30								
DRAFT WHERE APPLICABLE MUST REMAIN WITHIN DIMENSIONS			APPROVED BY DATE	MATERIAL NO.	DOCUMENT NO.	SHEET NO.				
			ESTenstr1999/03/30	621000101	621000101	1 OF 1				
THIS DRAWING CONTAINS INFORMATION THAT IS PROPRIETARY TO MOLEX INCORPORATED AND SHOULD NOT BE USED WITHOUT WRITTEN PERMISSION							B			

9 8 7 6 5 4 3 2 1