



Chipsmall Limited consists of a professional team with an average of over 10 year of expertise in the distribution of electronic components. Based in Hongkong, we have already established firm and mutual-benefit business relationships with customers from,Europe,America and south Asia,supplying obsolete and hard-to-find components to meet their specific needs.

With the principle of “Quality Parts,Customers Priority,Honest Operation,and Considerate Service”,our business mainly focus on the distribution of electronic components. Line cards we deal with include Microchip,ALPS,ROHM,Xilinx,Pulse,ON,Everlight and Freescale. Main products comprise IC,Modules,Potentiometer,IC Socket,Relay,Connector.Our parts cover such applications as commercial,industrial, and automotives areas.

We are looking forward to setting up business relationship with you and hope to provide you with the best service and solution. Let us make a better world for our industry!



## Contact us

Tel: +86-755-8981 8866 Fax: +86-755-8427 6832

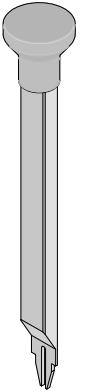
Email & Skype: info@chipsmall.com Web: www.chipsmall.com

Address: A1208, Overseas Decoration Building, #122 Zhenhua RD., Futian, Shenzhen, China





**DDR3 DIMM Latch Tower Spreading Tool**  
**Application Tooling Specification**  
**Order No. 62100-1800**



**FEATURES**

- Tool aligns on latch rib to spread tower.
- Latch can be extracted without removing neighboring memory cards.
- For actuator extraction, use tool 62100-9100.

**SCOPE**

Products: DDR3 DIMM Socket 78468 Series Assembly (276 Circuit, Vertical SMT). See Product List below for specific part numbers.

**Product List**

The following is a partial list of the product order numbers and their specifications this tool is designed to run. Updates to this list are available on [www.molex.com](http://www.molex.com).

Series No.	Assembly Order Number	
78468	78468-0002 (DIMM Socket Assembly)	78468-2001 (Latch)

**Tool Description**

The principal parts of the Tower Spreading Tool are shown in Figure 1.

**Tool Operation**

1. Remove the Memory Card from the socket by pushing in the actuators.
2. Remove the actuator with tool 62100-9100. See Figure 2.

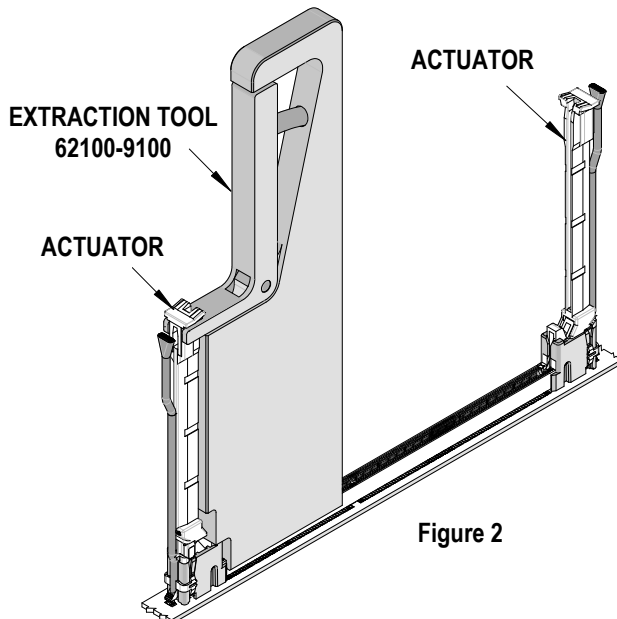


Figure 2

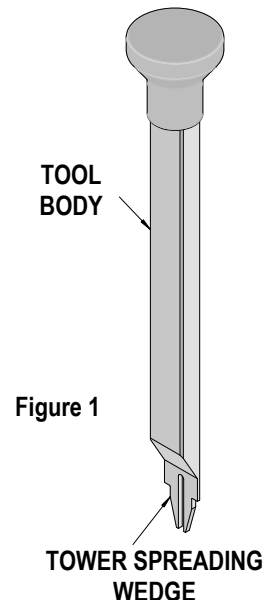
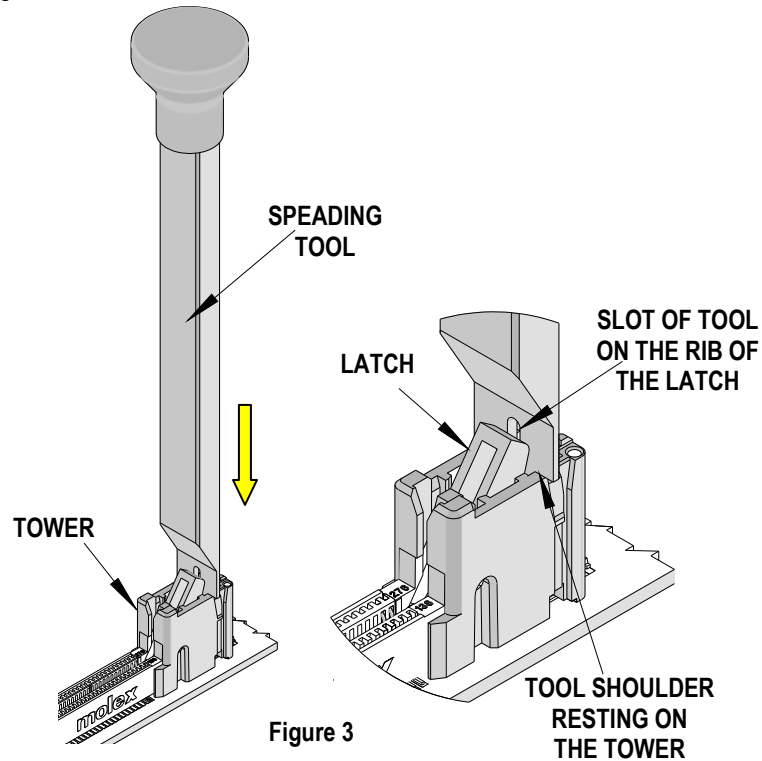
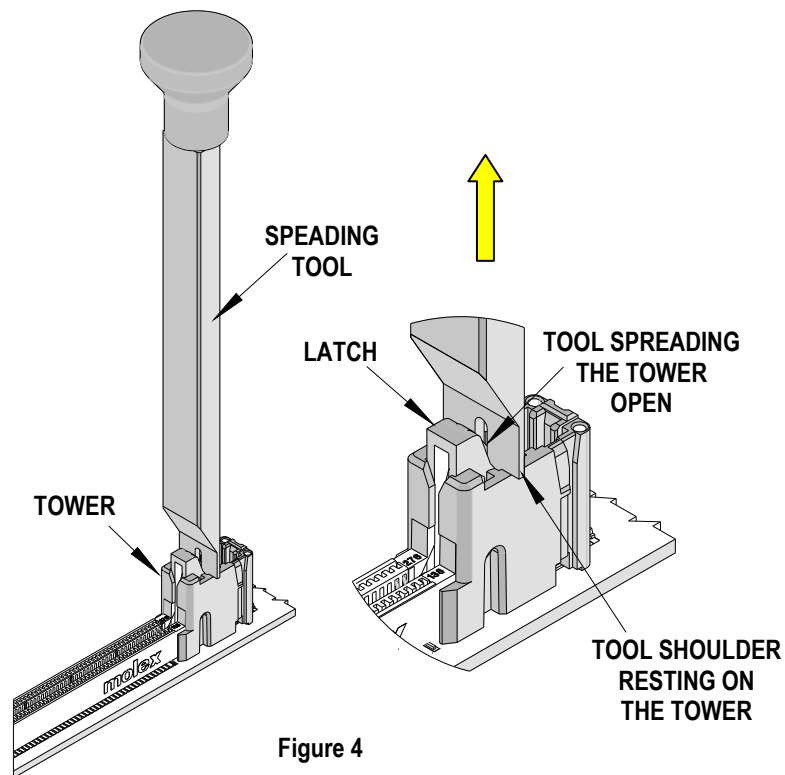


Figure 1

3. After removing the actuator, use the spreading tool tip to flip the latch up. Align the slot of the tool with the rib of the latch. Push the tool straight down until its shoulders are touching the top of the tower. See Figure 3.



4. With the tool in position as shown in Figure 3, use a tweezers or small pliers to pull up the latch. (The tool will be in the way of the latch being fully removed.)



5. Remove the spreading tool from the tower. Finish pulling the latch out of the tower. See Figure 5.
6. The new latch can be installed by hand.

**CAUTION:** Molex application tooling specifications are valid only when used with Molex connectors and tooling.

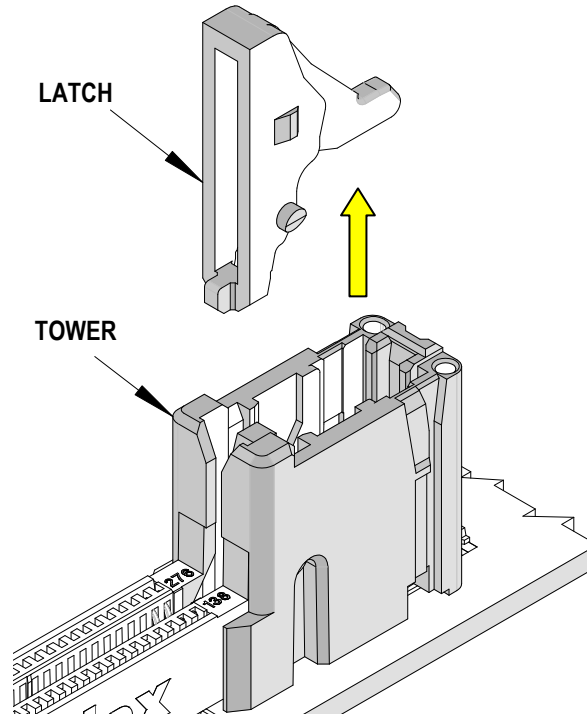


Figure 5

## Contact Information

For more information on Molex application tooling please contact Molex at 1-800-786-6539.

**Americas Headquarters**  
Lisle, Illinois 60532 U.S.A.  
1-800-78MOLEX  
amerinfo@molex.com

**Far East North Headquarters**  
Yamato, Kanagawa, Japan  
81-462-65-2324  
feninfo@molex.com

**Far East South Headquarters**  
Jurong, Singapore  
65-6-268-6868  
fesinfo@molex.com

**European Headquarters**  
Munich, Germany  
49-89-413092-0  
eurinfo@molex.com

**Corporate Headquarters**  
2222 Wellington Ct.  
Lisle, IL 60532 U.S.A.  
630-969-4550  
Fax: 630-969-1352

Visit our Web site at <http://www.molex.com>