



Chipsmall Limited consists of a professional team with an average of over 10 year of expertise in the distribution of electronic components. Based in Hongkong, we have already established firm and mutual-benefit business relationships with customers from,Europe,America and south Asia,supplying obsolete and hard-to-find components to meet their specific needs.

With the principle of “Quality Parts,Customers Priority,Honest Operation,and Considerate Service”,our business mainly focus on the distribution of electronic components. Line cards we deal with include Microchip,ALPS,ROHM,Xilinx,Pulse,ON,Everlight and Freescale. Main products comprise IC,Modules,Potentiometer,IC Socket,Relay,Connector.Our parts cover such applications as commercial,industrial, and automotives areas.

We are looking forward to setting up business relationship with you and hope to provide you with the best service and solution. Let us make a better world for our industry!




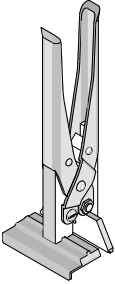
Contact us

Tel: +86-755-8981 8866 Fax: +86-755-8427 6832

Email & Skype: info@chipsmall.com Web: www.chipsmall.com

Address: A1208, Overseas Decoration Building, #122 Zhenhua RD., Futian, Shenzhen, China



MiniDIMM Memory Card Insertion Tool		
	Application Tooling Specification Sheet	
		Order No. 62100-1950

FEATURES

- A pliers-type tool used to insert the memory card into the 87918 series sockets
- Tool seats the memory card straight into the socket (no risk of “zippering” the contacts)
- For extraction of memory card, use tool 62100-1900

SCOPE

Products: MiniDIMM 0.60mm Pitch DDR/DDR2/DDR3 Sockets, 200 and 244 circuits

Product List

The following is a partial list of the product order numbers and their specifications this tool is designed to be used on. Updates to this list are available on www.molex.com.

Series No.	Circuit Size	Assembly Order Number					
87918	200	87918-0201	87918-0202				
87918	244	87918-0001	87918-0003	87918-0005	87918-0006	87918-0007	87918-0008
		87918-0301	87918-5001	87918-5002			
87940	244	87940-0001	87940-0003	87940-0004			
78001	244	78001-0020	78001-0021	78001-0022	78001-1244	78001-1344	78001-2244
		78001-3244	78001-3344	78001-5244	78001-6244		

DESCRIPTION

The 62100-1950 MiniDIMM Memory Card Insertion Tool is a pliers-type tool for inserting a DDR/DDR2/DDR3 memory card into the 87918 series card sockets. The tool is approximately 200mm (8.0 in.) long by 50mm (2.0 in.) wide (closed) by 80mm (3.1 in.) thick and weighs 0.6 kg (1.3 lb).

OPERATING SPACE (Keep Out Zone)

A certain amount of space is required around the memory card and card socket for the Insertion Tool to operate properly. Make sure there are no other components in this space. See Figure 1 and 2.

MEMORY CARD
"STARTED"
IN SOCKET

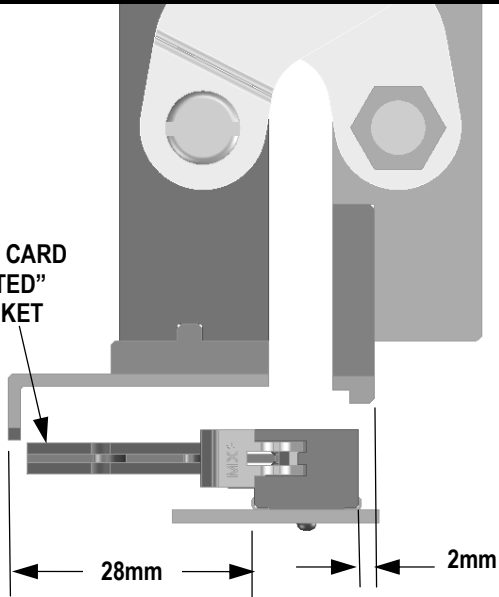


Figure 1
(SPACE REQUIRED PLACING TOOL ON ASSEMBLY)

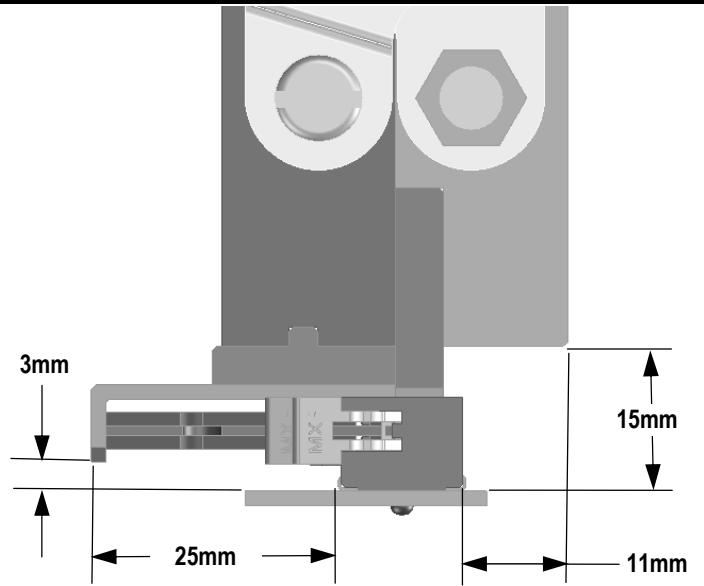


Figure 2
(SPACE REQUIRED WHEN MEMORY CARD IS FULLY INSERTED)

TOOL SETUP

This tool will insert 200 circuit and 244 circuit DDR/DDR2/DDR3 memory cards without any adjustments.

TOOL OPERATION

1. Make sure the latches are opened on the MiniDIMM socket.
2. By hand, start the memory card into the guide slots of the socket. Make sure the slot in the card aligns to the key in the socket. See Figure 3.
3. By hand, push the memory card up to the socket until it begins to engage the socket contacts.

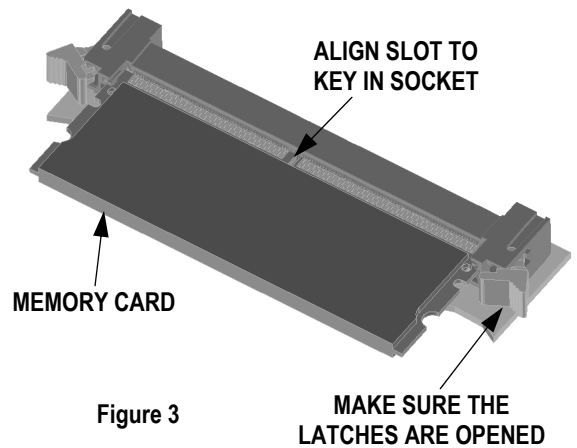


Figure 3

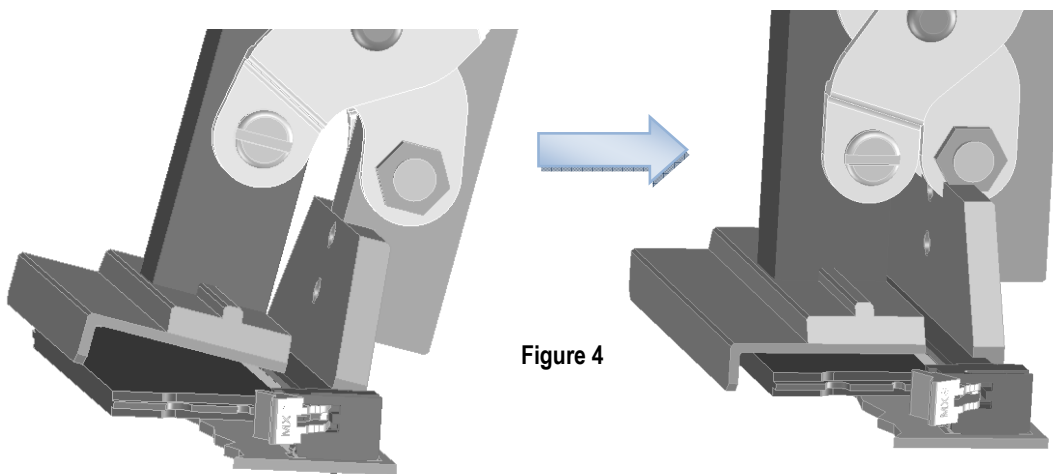


Figure 4

ENGAGE TOOL WITH BACK EDGE OF SOCKET

ROTATE TOOL DOWNWARD SO LONG LIP IS BEHIND MEMORY CARD

4. Open the plier's jaws about 6mm (0.25 in.) so it will fit over the pre-loaded memory card.
5. The jaw with the short lip goes on the back edge of the MiniDIMM socket.
6. Place the tool on the back edge of the MiniDIMM socket, and then rotate the tool downward so the jaw with the long lip is behind the memory card. See Figure 4.
7. Slowly squeeze the tool handles together to insert the memory card.

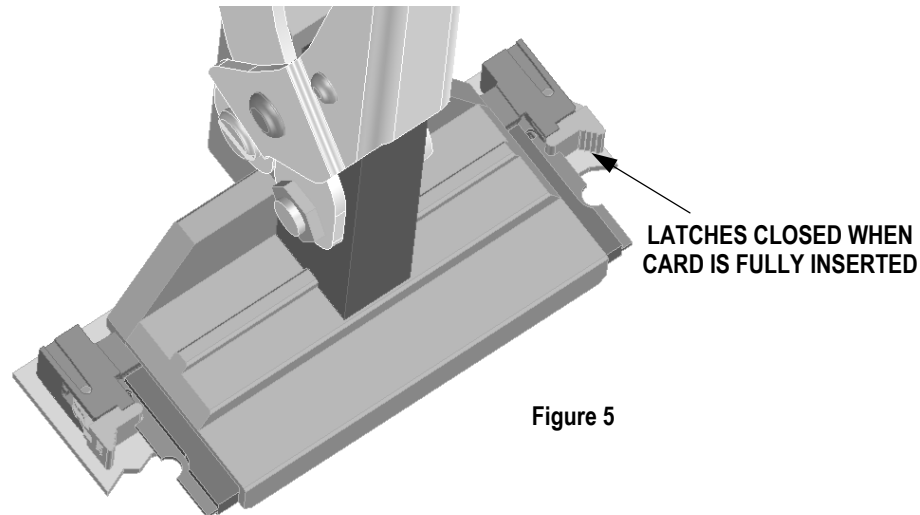


Figure 5

8. When the card is fully inserted the socket latches will be closed on the card. (DO NOT squeeze the tool handles beyond this condition.) See Figure 5.
9. Open the tool jaws slightly and remove the insertion tool from the assembly.

Maintenance

It is recommended that each operator of the tool be made aware of, and responsible for, the following maintenance steps:

1. Remove dust, moisture, and other contaminants with a clean brush, or soft, lint free cloth.
2. Do not use any abrasive materials that could damage the tool.
3. Make certain all pins; pivot points and bearing surfaces are protected with a thin coat of high quality machine oil. Do not oil excessively.
4. When tool is not in use, store in a clean, dry area.
5. There are no repair parts available for this tool. Should the tool be damaged a new tool is required.

CAUTION: Molex specifications are valid only when used with Molex connectors and tooling.

Visit our Web site at <http://www.molex.com>