



Chipsmall Limited consists of a professional team with an average of over 10 year of expertise in the distribution of electronic components. Based in Hongkong, we have already established firm and mutual-benefit business relationships with customers from,Europe,America and south Asia,supplying obsolete and hard-to-find components to meet their specific needs.

With the principle of “Quality Parts,Customers Priority,Honest Operation,and Considerate Service”,our business mainly focus on the distribution of electronic components. Line cards we deal with include Microchip,ALPS,ROHM,Xilinx,Pulse,ON,Everlight and Freescale. Main products comprise IC,Modules,Potentiometer,IC Socket,Relay,Connector.Our parts cover such applications as commercial,industrial, and automotives areas.

We are looking forward to setting up business relationship with you and hope to provide you with the best service and solution. Let us make a better world for our industry!



## Contact us

Tel: +86-755-8981 8866 Fax: +86-755-8427 6832

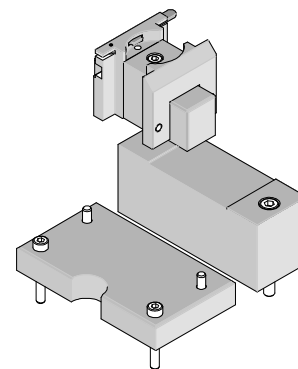
Email & Skype: info@chipsmall.com Web: www.chipsmall.com

Address: A1208, Overseas Decoration Building, #122 Zhenhua RD., Futian, Shenzhen, China





**IDT Ribbon Cable Adapter Kit  
Specification Sheet for  
2.0mm Milli-Grid™ Dual row 87568 Series  
Order No. 62100-2400**



**FEATURES**

- This Adapter Kit is used only with the 62100-2000 IDT Ribbon Cable module inserted into the 11-31-6356 Molex Standard Manual Assembly Press
- It is a simple design for easy termination of flat ribbon cable into the Molex 2mm Mill-Grid™ IDT Dual Row connector, 87568 Series
- The tool is easily adjusted for circuit sizes from 10 to 50.
- An adjustable cable stop allows the operator to consistently produce quality “Feed-To”, “Feed-Through”, or “Daisy Chain” type harnesses.

**SCOPE**

Products: 2.00mm (.079") Pitch Mill-Grid™ Cable-to-Board Receptacle, Dual Row, IDT

Series number 87568								
Circuit Size	Receptacle Order Number							
10	87568-1011	87568-1043	87568-1053	87568-1063	87568-1073	87568-1081	87568-1083	87568-1093
	87568-1012	87568-1044	87568-1054	87568-1064	87568-1074	87568-1082	87568-1084	87568-1094
12	87568-1243	87568-1263	87568-1273	87568-1281	87568-1283	87568-1293		
	87568-1244	87568-1264	87568-1274	87568-1282	87568-1284	87568-1294		
14	87568-1443	87568-1463	87568-1473	87568-1481	87568-1483	87568-1493		
	87568-1444	87568-1464	87568-1474	87568-1482	87568-1484	87568-1494		
16	87568-1643	87568-1663	87568-1673	87568-1681	87568-1683	87568-1693		
	87568-1644	87568-1664	87568-1674	87568-1682	87568-1684	87568-1694		
20	87568-2011	87568-2043	87568-2063	87568-2073	87568-2081	87568-2083	87568-2093	
	87568-2012	87568-2044	87568-2064	87568-2074	87568-2082	87568-2084	87568-2094	
22	87568-2243	87568-2263	87568-2273	87568-2281	87568-2283	87568-2293		
	87568-2244	87568-2264	87568-2274	87568-2282	87568-2284	87568-2294		
24	87568-2411	87568-2443	87568-2463	87568-2473	87568-2481	87568-2483	87568-2493	
	87568-2412	87568-2444	87568-2464	87568-2474	87568-2482	87568-2484	87568-2494	
26	87568-2643	87568-2663	87568-2673	87568-2681	87568-2683	87568-2693		
	87568-2644	87568-2664	87568-2674	87568-2682	87568-2684	87568-2694		
30	87568-3043	87568-3063	87568-3073	87568-3081	87568-3083	87568-3093		
	87568-3044	87568-3064	87568-3074	87568-3082	87568-3084	87568-3094		
34	87568-3411	87568-3443	87568-3463	87568-3473	87568-3481	87568-3483	87568-3493	
	87568-3412	87568-3444	87568-3464	87568-3474	87568-3482	87568-3484	87568-3494	
36	87568-3643	87568-3663	87568-3671	87568-3673	87568-3682	87568-3684	87568-3694	
	87568-3644	87568-3664	87568-3672	87568-3674	87568-3683	87568-3693		
40	87568-4011	87568-4043	87568-4063	87568-4073	87568-4081	87568-4083	87568-4093	
	87568-4012	87568-4044	87568-4064	87568-4074	87568-4082	87568-4084	87568-4094	
44	87568-4411	87568-4443	87568-4463	87568-4473	87568-4481	87568-4483	87568-4493	87568-7003
	87568-4412	87568-4444	87568-4464	87568-4474	87568-4482	87568-4484	87568-4494	87568-7004
50	87568-5011	87568-5043	87568-5063	87568-5073	87568-5081	87568-5083	87568-5093	
	87568-5012	87568-5044	87568-5064	87568-5074	87568-5082	87568-5084	87568-5094	

**Installation:**

This tool kit is intended for use only in the Molex Standard Manual Assembly Press Order No. 11-31-6356 (AM60026-50).

**Note:** Follow the operating instructions in the ATS-621003200 instruction manual.



## PARTS LIST

Adaptor Kit 62100-2400				
Item	Order No	Engineering No.	Description	Quantity
<b>Main Components</b>				
1	11-20-1314	AM63240Q	Quick Release for Upper Tooling	1
2	62100-2401	62100-2401	Ram-Milli-Grid	1
3	62100-2402	62100-2402	Adaptor Plate-Red Press	1
4	62100-2403	62100-2403	Support-Cable	1
<b>Hardware</b>				
5	N/A	N/A	M4 by 16 Long SHCS	2**
6	N/A	N/A	M4 by 30 Long SHCS	2**
7	N/A	N/A	M5 by 50 Long SHCS	2**

\*\* Available from an industrial supply company such as MSC (1-800-645-7270).

## Assembly

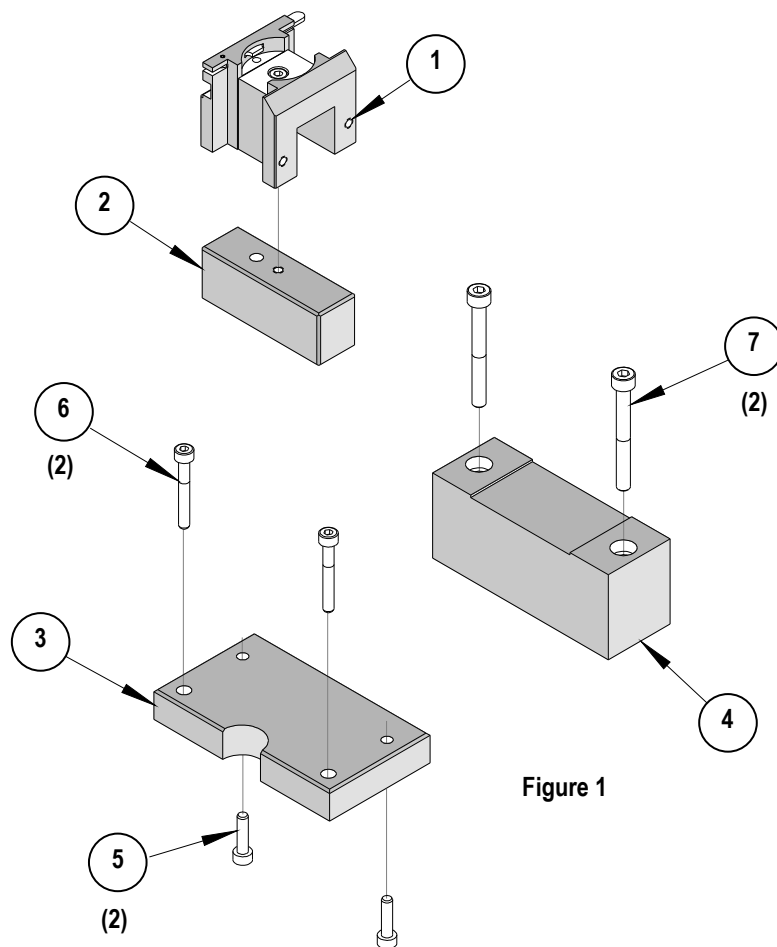


Figure 1

**Americas Headquarters**  
 Lisle, Illinois 60532 U.S.A.  
 1-800-78MOLEX  
 amerinfo@molex.com

**Far East North Headquarters**  
 Yamato, Kanagawa, Japan  
 81-462-65-2324  
 feninfo@molex.com

**Far East South Headquarters**  
 Jurong, Singapore  
 65-6-268-6868  
 fesinfo@molex.com

**European Headquarters**  
 Munich, Germany  
 49-89-413092-0  
 eurinfo@molex.com

**Corporate Headquarters**  
 2222 Wellington Ct.  
 Lisle, IL 60532 U.S.A.  
 630-969-4550  
 Fax: 630-969-1352

Visit our Web site at <http://www.molex.com>