



Chipsmall Limited consists of a professional team with an average of over 10 year of expertise in the distribution of electronic components. Based in Hongkong, we have already established firm and mutual-benefit business relationships with customers from,Europe,America and south Asia,supplying obsolete and hard-to-find components to meet their specific needs.

With the principle of “Quality Parts,Customers Priority,Honest Operation,and Considerate Service”,our business mainly focus on the distribution of electronic components. Line cards we deal with include Microchip,ALPS,ROHM,Xilinx,Pulse,ON,Everlight and Freescale. Main products comprise IC,Modules,Potentiometer,IC Socket,Relay,Connector.Our parts cover such applications as commercial,industrial, and automotives areas.

We are looking forward to setting up business relationship with you and hope to provide you with the best service and solution. Let us make a better world for our industry!



Contact us

Tel: +86-755-8981 8866 Fax: +86-755-8427 6832

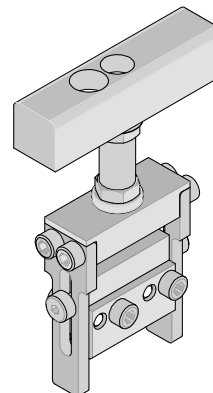
Email & Skype: info@chipsmall.com Web: www.chipsmall.com

Address: A1208, Overseas Decoration Building, #122 Zhenhua RD., Futian, Shenzhen, China





**EXTreme PowerMass™ Connector System
Terminal Removal Tool
Instruction Sheet
Order No. 62100-5400**



FEATURES

- % This tool is designed to remove the terminals from the PC board after the terminal housing is removed.
- % Removes terminals without damage to the board.

SCOPE

Products EXTreme PowerMass™ Vertical Socket Assembly Connector System for 75542 and 75545 series. See Product List below for specific part numbers.

Product List

The following is a partial list of the product order numbers and their specifications this tool is designed to run. Updates to this list are available on www.molex.com.

Series No.	Assembly Order No.	Description
75542	75542-1000	EXTreme PowerMass™ Signal Module Receptacle-150 Amp Module
75545	75545-1000	EXTreme PowerMass™ Signal Module Receptacle-80 Amp Module
	75545-1100	EXTreme PowerMass™ Signal Module Receptacle-40 Amp Module

DESCRIPTION

The EXTreme PowerMass™ System consists of 150 amp, 80 amps, High Voltage 40 amp, and Signal modular configurations.

The EXTreme PowerMass™ Terminal Removal Tool consists of an Anvil Block, (2) Terminal Clamp Plates to clamp the terminals tightly against the Anvil Block, (2) Side Plate Guides, and a T Handle so the terminals can be pulled off the printed circuit board. The Terminal Removal Tool is shipped with the terminal clamp plates in the closed position, as shown in Figure 1.

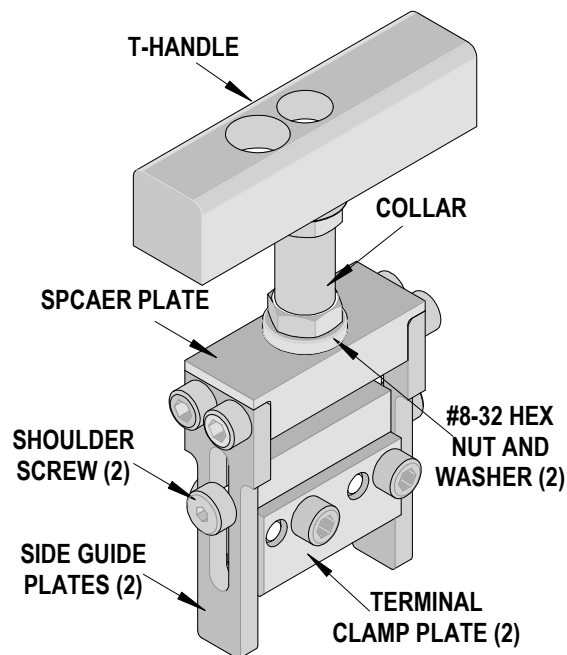


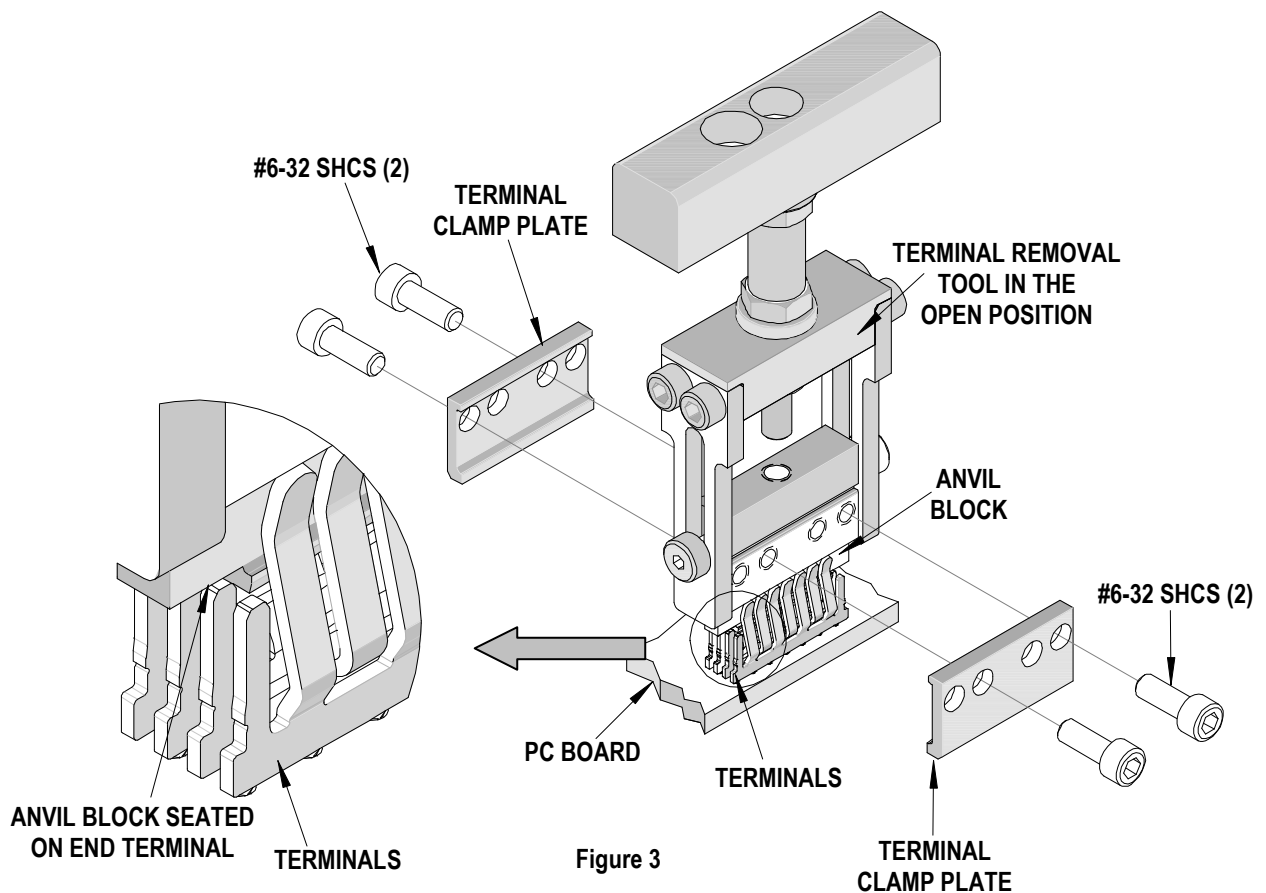
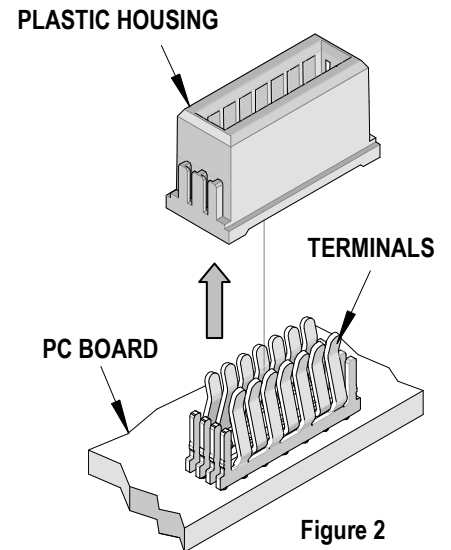
Figure 1

Operation:

Note: Be sure that all parts of the Removal Tool will clear any components on the printed circuit board during use. Tape may also be placed over circuit traces or on the bottom of the (2) Side Plate Guides for added protection of the printed circuit board.

1. Lift up on the plastic housing by using a pair of pliers and remove it from the terminals. All terminals should be exposed. See Figure 2.

Caution: Care must be taken during this procedure to prevent bending of the terminals that are left in place in the printed circuit board.



2. Remove the (2) Terminal Clamp Plates from each side of the Anvil Block by removing the #6-32 SHCS.
3. Before placing the Terminal Removal Tool above the terminal make sure it is in the open position. Position the Anvil Block between terminal rows. The Anvil Block should to be seated on top of end terminal rows both sides and in between the longer terminals. See Figure 3.

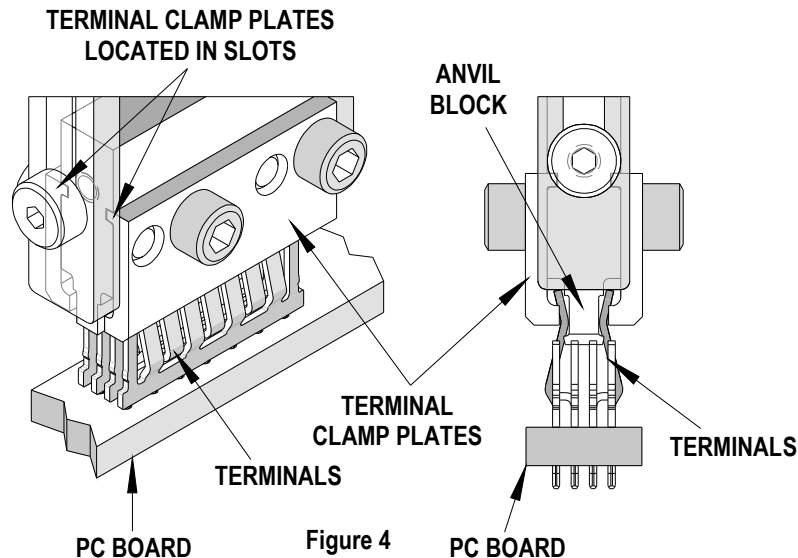


Figure 4

4. Re-tighten the (2) Terminal Clamp Plates with (2) #6-32 SHCS per side. The Terminal Clamp Plates fit into the locating slots on the Anvil Block. Tighten the (4) #6-32 SHCS so that the Terminal Clamp Plates fit snugly against terminals. Do not over tighten. See Figure 4.

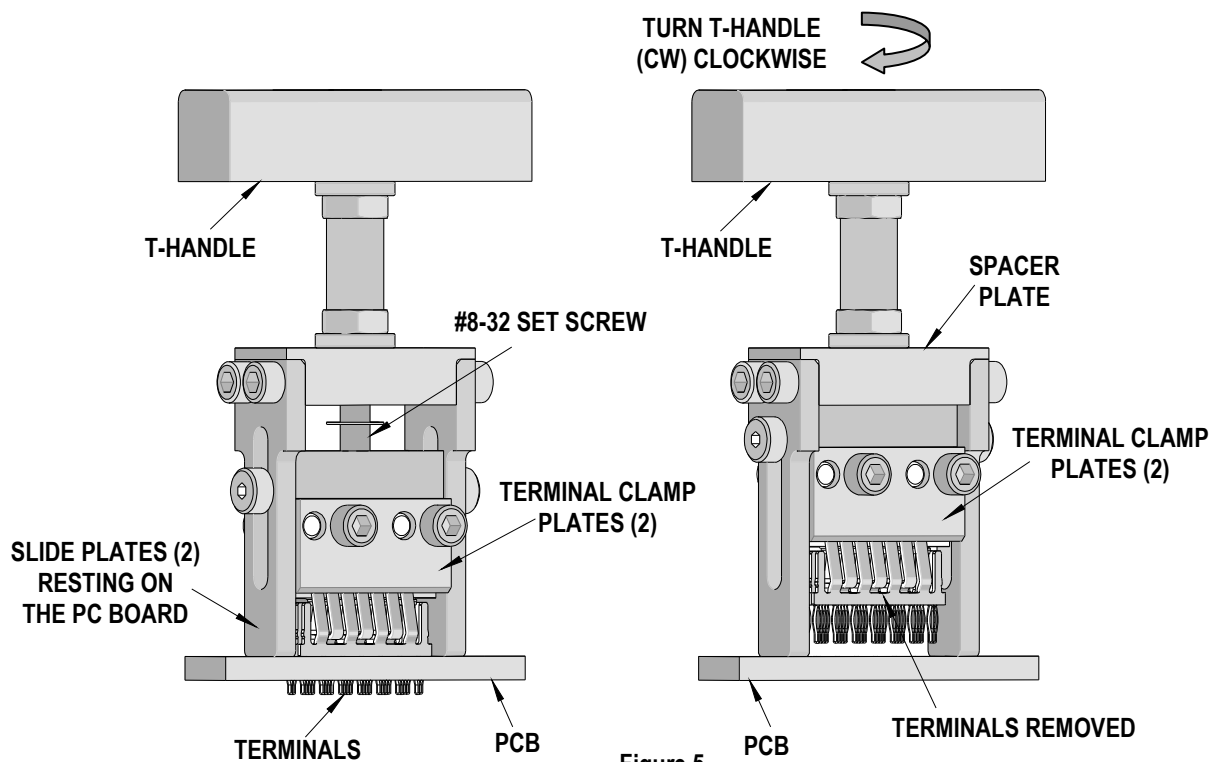


Figure 5

5. Position the Terminal Removal Tool so that the (2) Side Plate Guides are resting on the printed circuit board.
6. Turn T-handle (CW) clockwise until the #8-32 Set Screw engages into the threaded hole of the Anvil Block.
7. Continue turning the T-Handle until the terminals lift up and are removed from the printed circuit board. See Figure 5.
8. Move the Removal Tool away from the printed circuit board. Then remove the terminals from the Removal Tool by loosening the (4) #6-32 SHCS on the Terminal Clamp Plates and pulling out the terminals.

Maintenance

It is recommended that each operator of the tool be made aware of, and responsible for, the following maintenance steps:

1. Remove dust, moisture, and other contaminants with a clean brush, or soft, lint free cloth.
2. Do not use any abrasive materials that could damage the tool.
3. Make certain all pins; pivot points and bearing surfaces are protected with a thin coat of high quality machine oil. Do not oil excessively.
4. When tool is not in use, store in a clean, dry area.

CAUTION: Molex specifications are valid only when used with Molex terminals, applicators and tooling.

PARTS LIST

Item	Order No	Description	Quantity
	62100-5400	EXTreme PowerMass™ Terminal Removal Tool	Figure 6
1	62100-5401	Spacer Plate	1
2	62100-5403	Anvil Block	1
3	62100-5404	T-Handle	1
4	62100-5406	Terminal Clamp Plate	2
5	62100-5408	Side Plate Guide	2
6	63700-4308	1/8 Diameter by 1/8" Long Shoulder Screw	2
7	63700-4312	Collar .31 O.D. by .16 I.D. by 50" Long	1
8	63700-4313	#8-32 by .012" Thick Retainer Ring	1
9	63700-4353	#8-32 by 2.0" Long Set Screw	1
10	N/A	#6-32 Hex Nut	2**
11	N/A	#6-32 by 3/8 Long SHCS	8**
12	N/A	#8-32 Hardened Washer	2**

** Available from an industrial supply company such as MSC (1-800-645-7270).

Assembly Drawing

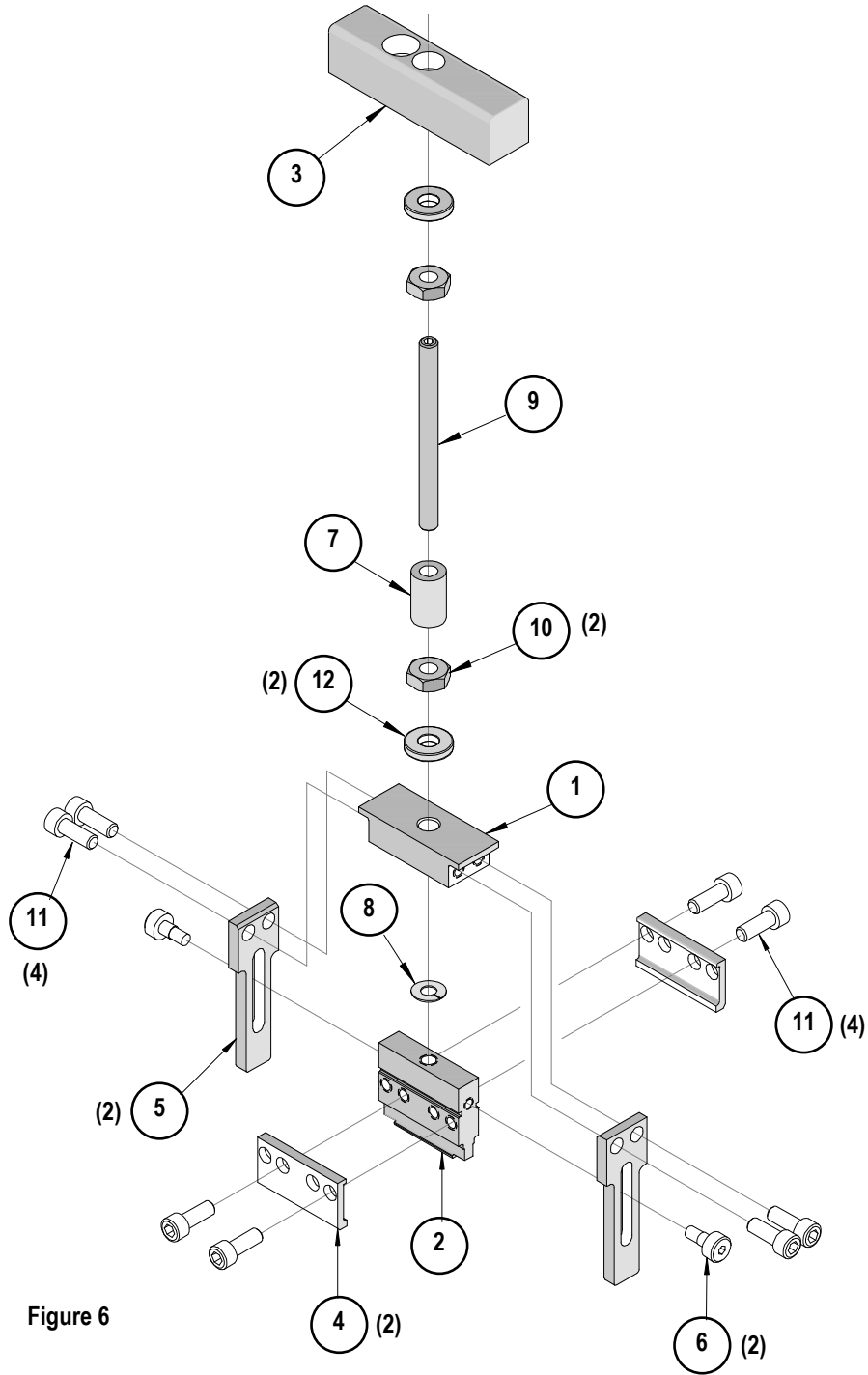


Figure 6

Americas Headquarters
 Lisle, Illinois 60532 U.S.A.
 1-800-78MOLEX
 amerinfo@molex.com

Far East North Headquarters
 Yamato, Kanagawa, Japan
 81-462-65-2324
 feninfo@molex.com

Far East South Headquarters
 Jurong, Singapore
 65-6-268-6868
 fesinfo@molex.com

European Headquarters
 Munich, Germany
 49-89-413092-0
 eurinfo@molex.com

Corporate Headquarters
 2222 Wellington Ct.
 Lisle, IL 60532 U.S.A.
 630-969-4550
 Fax: 630-969-1352

Visit our Web site at <http://www.molex.com>