



Chipsmall Limited consists of a professional team with an average of over 10 year of expertise in the distribution of electronic components. Based in Hongkong, we have already established firm and mutual-benefit business relationships with customers from,Europe,America and south Asia,supplying obsolete and hard-to-find components to meet their specific needs.

With the principle of "Quality Parts,Customers Priority,Honest Operation,and Considerate Service",our business mainly focus on the distribution of electronic components. Line cards we deal with include Microchip,ALPS,ROHM,Xilinx,Pulse,ON,Everlight and Freescale. Main products comprise IC,Modules,Potentiometer,IC Socket,Relay,Connector.Our parts cover such applications as commercial,industrial, and automotives areas.

We are looking forward to setting up business relationship with you and hope to provide you with the best service and solution. Let us make a better world for our industry!



Contact us

Tel: +86-755-8981 8866 Fax: +86-755-8427 6832

Email & Skype: info@chipsmall.com Web: www.chipsmall.com

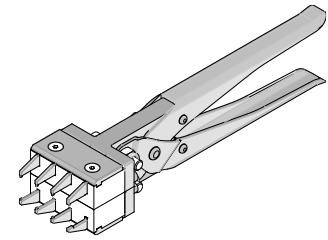
Address: A1208, Overseas Decoration Building, #122 Zhenhua RD., Futian, Shenzhen, China



EnergetiC™ Vertical Receptacle Housing Removal Tool

molex

Application Tooling Specification Sheet



Order No. 62100-7720

FEATURES

- A pliers-type tool used for removal of the receptacle housing
- For receptacle terminal extraction, use tool 62100-7730

SCOPE

Products: EnergetiC™ Vertical Receptacle Assemblies, 171098 series. See Product List below for specific part numbers.

Product List

The following is a partial list of the product order numbers and their specifications this tool is designed to be used on. Updates to this list are available on www.molex.com.

Series Number	Receptacle Assembly Order Number			
171098	171098-0001	171098-0002	171098-0003	171098-0015

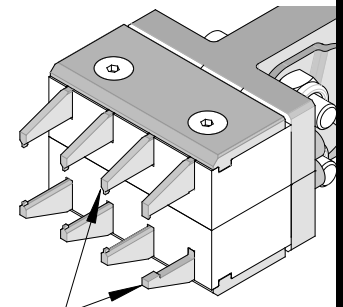
DESCRIPTION

The 62100-7720 EnergetiC™ Vertical Receptacle Housing Removal Tool is a pliers-type tool for removing the receptacle housing from the printed circuit board. The tool is approximately 225mm (8.9 in.) long by 44mm (1.7 in.) wide (closed) by 65mm (2.6 in.) thick and weighs 1 kg (2.2 lb.).

SET UP

This removal tool can remove receptacle housings with 2 to 6 power circuits and a 25 circuit signal bay. A full set of housing clamp fingers is mounted in the tool jaws. See Figure 1.

Determine which housing is to be removed. The tool's clamp fingers engage the small slots in the power area and the wide slot in the signal area. See Figure 2.



CLAMP FINGERS Figure 1

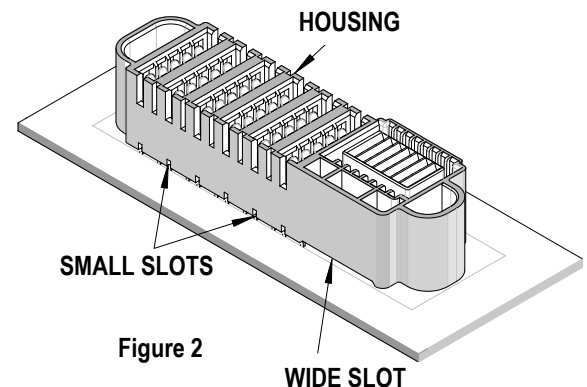
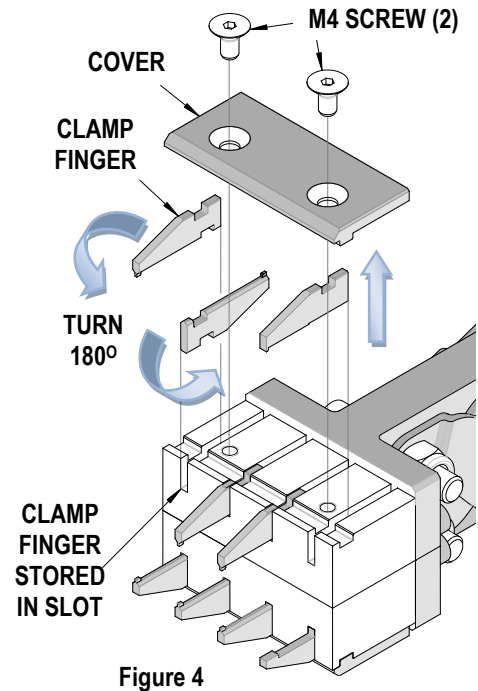
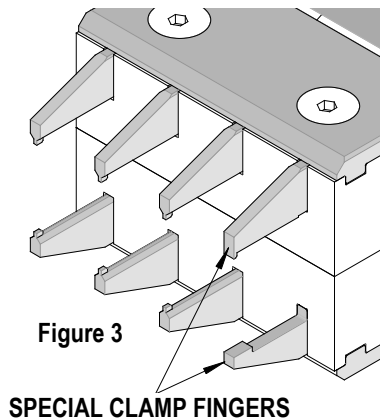


Figure 2

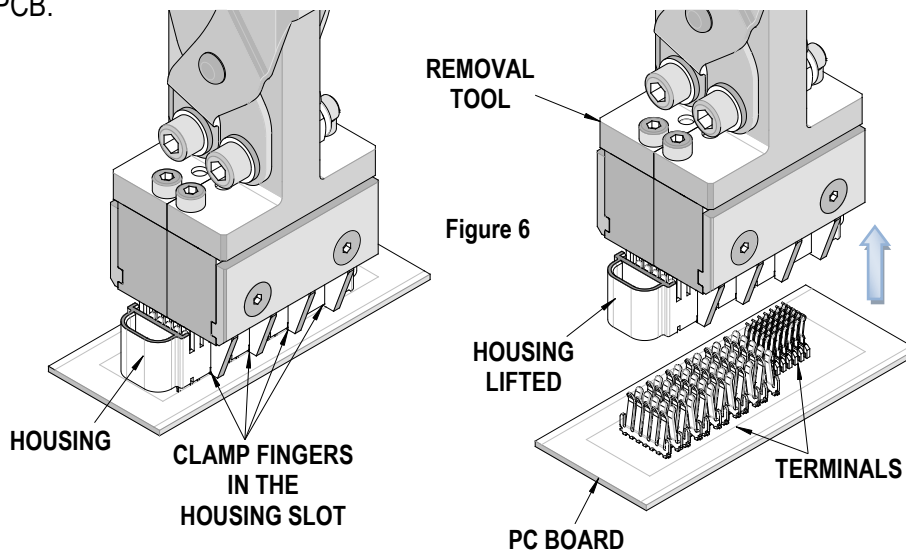
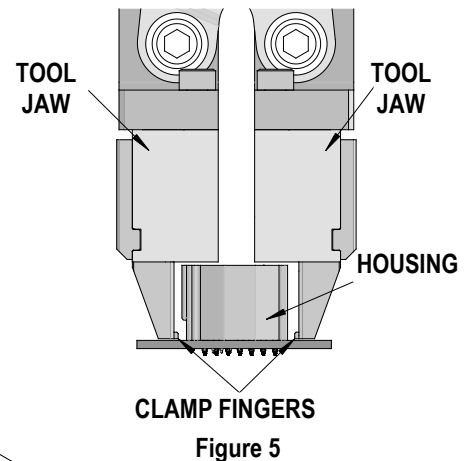
WIDE SLOT

1. Use a 2.5mm hex wrench to remove the (2) screws holding the clamp cover on the tool jaw.
2. Remove the unused clamp finger, turn it over, and store it in the slot.
3. Repeat this process for the other unused clamp fingers.
4. **Note:** There are special two clamp fingers used for clamping the signal area of the housing. See Figure 3.
5. Replace the clamp cover and tighten the (2) screws. See Figure 4.



OPERATION:

1. Open the tool jaws slightly wider than the receptacle housing.
2. Position the tips of the clamp fingers in-line with the small slots at the base of the housing. See Figure 5.
3. Close the tool jaws. Make sure the tips of the clamp fingers entered the slots.
4. While holding the jaws closed, slightly rock the tool back and forth. Pull up to remove the housing. See Figure 6.
5. Use the Tool 62100-7730 to extract the terminals that remain in the PCB.



Maintenance

It is recommended that each operator of the tool be made aware of, and responsible for, the following maintenance steps:

1. Remove dust, moisture, and other contaminants with a clean brush, or soft, lint free cloth.
2. Do not use any abrasive materials that could damage the tool.
3. Make certain all pins; pivot points and bearing surfaces are protected with a thin coat of high quality machine oil. Do not oil excessively.
4. When tool is not in use, store in a clean, dry area.
5. There are no repair parts available for this tool. Should the tool be damaged a new tool is required.

CAUTION: Molex specifications are valid only when used with Molex connectors and tooling.

Visit our Web site at <http://www.molex.com>