



Chipsmall Limited consists of a professional team with an average of over 10 year of expertise in the distribution of electronic components. Based in Hongkong, we have already established firm and mutual-benefit business relationships with customers from,Europe,America and south Asia,supplying obsolete and hard-to-find components to meet their specific needs.

With the principle of “Quality Parts,Customers Priority,Honest Operation,and Considerate Service”,our business mainly focus on the distribution of electronic components. Line cards we deal with include Microchip,ALPS,ROHM,Xilinx,Pulse,ON,Everlight and Freescale. Main products comprise IC,Modules,Potentiometer,IC Socket,Relay,Connector.Our parts cover such applications as commercial,industrial, and automotives areas.

We are looking forward to setting up business relationship with you and hope to provide you with the best service and solution. Let us make a better world for our industry!



## Contact us

Tel: +86-755-8981 8866 Fax: +86-755-8427 6832

Email & Skype: info@chipsmall.com Web: www.chipsmall.com

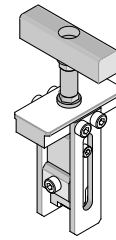
Address: A1208, Overseas Decoration Building, #122 Zhenhua RD., Futian, Shenzhen, China



**EnergetiC™  
Vertical Receptacle  
Terminal  
Removal Tool**

**molex**

**Application Tooling  
Specification Sheet**



**Order No. 62100-7730**

**FEATURES**

- Removes two terminals per tool cycle.
- Use tool 62100-7720 for removing the vertical receptacle housing.

**SCOPE**

Products: EnergetiC™ Vertical Receptacle Assembly, 171098 Series. See Product List below for specific order numbers.

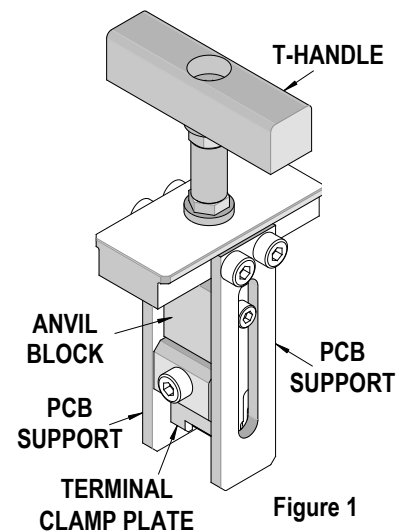
**Product List**

The following is a partial list of the product order numbers and their specifications that this tool is designed to run. Updates to this list are available on [www.molex.com](http://www.molex.com)

Series No.	Assembly Order Number			
171098	171098-0001	171098-0002	171098-0003	171098-0015

**Tool Setup**

The principal parts of the terminal removal tool are shown in Figure 1.



## Tool Operation

1. Remove the vertical receptacle housing using Molex tool 62100-7720. The terminals will be exposed as shown in Figure 2.
2. Turn the T-handle counterclockwise (CCW) until the clamp plates and anvil block are fully down. See Figure 1.

**NOTE:** The threaded shaft will disengage from the anvil block.

3. Using a 3mm hex wrench, loosen the screw holding each clamp plate 1-1/2 turns.

**NOTE:** If the screws are not loosened, the tool will not fit over the power terminals.

4. Move the clamp plates away from the anvil.
5. Position the tool over a row of terminals.
6. Working from the top, move the anvil block and clamp plates down over the power terminals until the clamp plates rest on the shoulder of the terminal. See Figure 3.

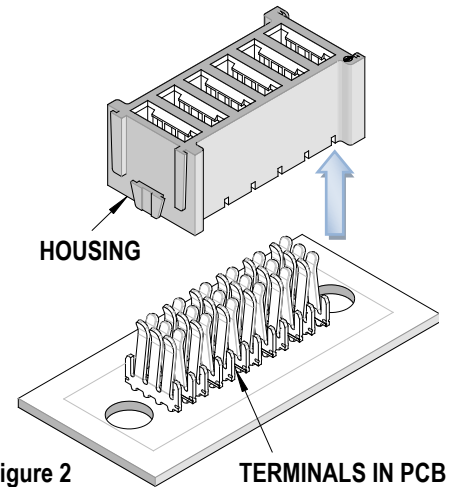


Figure 2

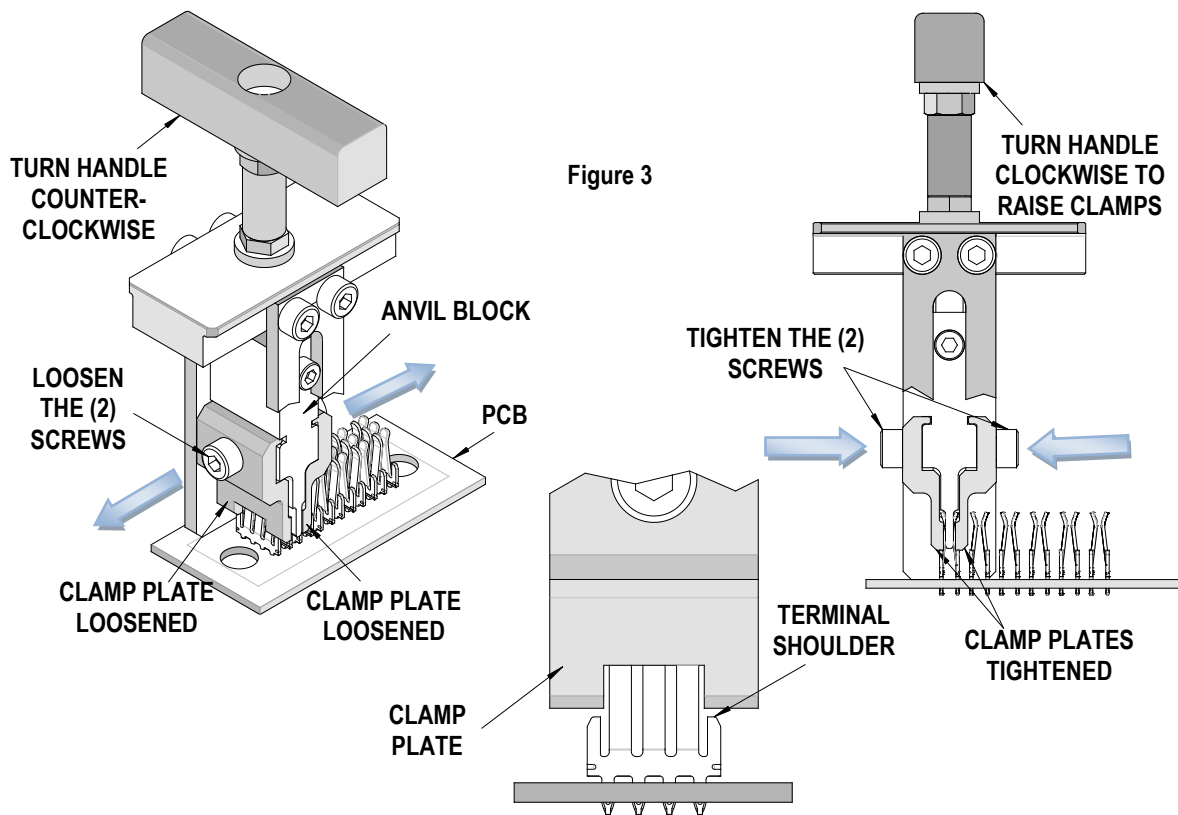


Figure 3

7. Tighten the screws holding the terminal clamp plates.
8. Turn the T-handle clockwise (CW) until the threaded shaft engages the anvil block.
9. Continue turning the T-handle; the PCB supports will contact the PCB then the terminals will be pulled up.
10. When the terminals are free from the PCB, pull the tool straight up and away from the PCB.
11. Loosen the clamp plate screws and take the terminals out of the tool.
12. After the terminals are removed, they cannot be reused and should be discarded or recycled.

### Contact Information

For more information on Molex application tooling please contact Molex at 1-800-786-6539.

### Parts List

Item	Order No	Description	Quantity
	<b>62100-7730</b>	<b>EnergetiC™ Receptacle Terminal Removal Tool</b>	<b>Figure 4</b>
1	621007731	Anvil Block	1
2	621007902	Side Plate Guide	2
3	621007733	Terminal Clamp Plate	2
4	621007904	Top Plate	1
5	621006204	T Handle	1
6	636001959	Collar	1
7	636001960	Stop Screw	1
8	637004553	E-Ring, 0.187" Shaft	1
<b>Hardware</b>			
9	N/A	M3 by 5 Long SHCS	2**
10	N/A	M4 by 8 Long SHCS	6**
11	N/A	M5 Flat Washer	2**
12	N/A	M5 by 0.8 Jam Nut	1**

\*\* Available from an industrial supply company such as MSC (1-800-645-7270).

### Assembly Drawing

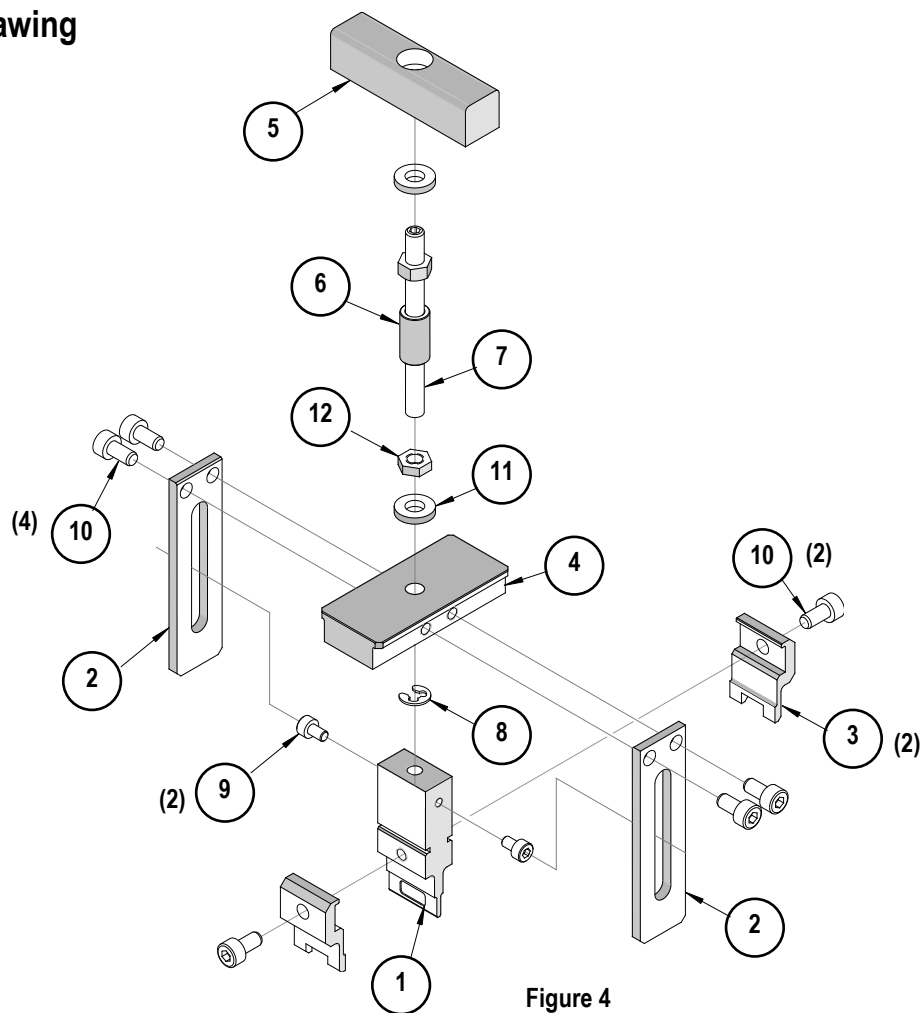


Figure 4

Visit our Web site at <http://www.molex.com>