



Chipsmall Limited consists of a professional team with an average of over 10 year of expertise in the distribution of electronic components. Based in Hongkong, we have already established firm and mutual-benefit business relationships with customers from,Europe,America and south Asia,supplying obsolete and hard-to-find components to meet their specific needs.

With the principle of “Quality Parts,Customers Priority,Honest Operation,and Considerate Service”,our business mainly focus on the distribution of electronic components. Line cards we deal with include Microchip,ALPS,ROHM,Xilinx,Pulse,ON,Everlight and Freescale. Main products comprise IC,Modules,Potentiometer,IC Socket,Relay,Connector.Our parts cover such applications as commercial,industrial, and automotives areas.

We are looking forward to setting up business relationship with you and hope to provide you with the best service and solution. Let us make a better world for our industry!



## Contact us

Tel: +86-755-8981 8866 Fax: +86-755-8427 6832

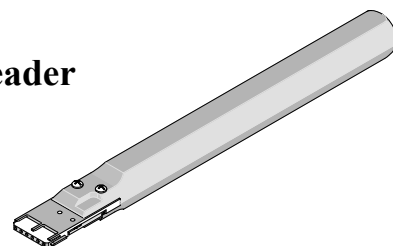
Email & Skype: info@chipsmall.com Web: www.chipsmall.com

Address: A1208, Overseas Decoration Building, #122 Zhenhua RD., Futian, Shenzhen, China





**VHDM® and VHDM-HSD™ Backplane Header  
Pin and Shield Replacement Tool  
Specification Sheet  
Order No 62201-5800**



**FEATURES**

- This tool is used for the replacement of damaged Backplane Shields. It can also install a complete row of signal pins
- Lightweight tool that is easy to use
- See 62201-0999 VHDM® and VHDM-HSD™ Installation and Repair Tooling Operation Manual for more information on tooling, presses and repair

**SCOPE**

Products: 2.00mm (.079") Pitch VHDM® Backplane Header Module Assemblies, 6-Row, Series 74057, 74058, and 74059.  
VHDM-H® Backplane Header, Signal Module Assemblies, 6-Row for Series 76761, 76762, and 76763. See Product List below for specific part numbers.

**Product List**

The following is a partial list of the product order numbers and their specifications this tool is designed to run. Updates to this list are available on [www.molex.com](http://www.molex.com).

Series No. and Description	Assembly Order No.					
74057 VHDM 6 Row Open End	74057-1001	74057-1002	74057-1003	74057-1004	74057-1006	74057-1007
	74057-1008	74057-1009	74057-1501	74057-1502	74057-1503	74057-1504
	74057-1506	74057-1507	74057-1508	74057-1509	74057-2501	74057-2502
	74057-2503	74057-2504	74057-2506	74057-2507	74057-2508	74057-2509
	74057-8501	74057-8502	74057-8503	74057-8504	74057-8506	74057-8507
	74057-8508	74057-8509	74057-9001	74057-9002	74057-9003	74057-9004
	74057-9006	74057-9007	74057-9008	74057-9009	74057-9501	74057-9502
	74057-9503	74057-9504	74057-9506	74057-9507	74057-9508	74057-9509
74058 VHDM 6 Row Signal End	74058-1001	74058-1002	74058-1003	74058-1004	74058-1006	74058-1007
	74058-1008	74058-1009	74058-1011	74058-1012	74058-1013	74058-1014
	74058-1016	74058-1017	74058-1018	74058-1019	74058-1021	74058-1022
	74058-1023	74058-1024	74058-1026	74058-1027	74058-1028	74058-1029
	74058-1031	74058-1032	74058-1033	74058-1034	74058-1036	74058-1037

Series No. and Description	Assembly Order No.					
74058 VHDM 6 Row Signal End	74058-1038	74058-1039	74058-1041	74058-1042	74058-1043	74058-1044
	74058-1046	74058-1047	74058-1048	74058-1049	74058-1051	74058-1052
	74058-1053	74058-1054	74058-1056	74058-1057	74058-1058	74058-1059
	74058-1061	74058-1062	74058-1063	74058-1064	74058-1066	74058-1067
	74058-1068	74058-1069	74058-1071	74058-1072	74058-1073	74058-1074
	74058-1076	74058-1077	74058-1078	74058-1079	74058-1081	74058-1082
	74058-1083	74058-1084	74058-1086	74058-1087	74058-1088	74058-1089
	74058-2501	74058-2502	74058-2503	74058-2504	74058-2506	74058-2507
	74058-2508	74058-2509	74058-2511	74058-2512	74058-2513	74058-2514
	74058-2516	74058-2517	74058-2518	74058-2519	74058-2521	74058-2522
	74058-2523	74058-2524	74058-2526	74058-2527	74058-2528	74058-2529
	74058-2531	74058-2532	74058-2533	74058-2534	74058-2536	74058-2537
	74058-2538	74058-2539	74058-2541	74058-2542	74058-2543	74058-2544
	74058-2546	74058-2547	74058-2548	74058-2549	74058-2551	74058-2552
	74058-2553	74058-2554	74058-2556	74058-2557	74058-2558	74058-2559
	74058-2561	74058-2562	74058-2563	74058-2564	74058-2566	74058-2567
	74058-2568	74058-2569	74058-2571	74058-2572	74058-2573	74058-2574
	74058-2576	74058-2577	74058-2578	74058-2579	74058-2581	74058-2582
	74058-2583	74058-2584	74058-2586	74058-2587	74058-2588	74058-2589
	74058-8501	74058-8502	74058-8503	74058-8504	74058-8506	74058-8507
	74058-8508	74058-8509	74058-8511	74058-8512	74058-8513	74058-8514
	74058-8516	74058-8517	74058-8518	74058-8519	74058-8521	74058-8522
	74058-8523	74058-8524	74058-8526	74058-8527	74058-8528	74058-8529
	74058-8531	74058-8532	74058-8533	74058-8534	74058-8536	74058-8537
	74058-8538	74058-8539	74058-8541	74058-8542	74058-8543	74058-8544
	74058-8546	74058-8547	74058-8548	74058-8549	74058-8551	74058-8552
	74058-8553	74058-8554	74058-8556	74058-8557	74058-8558	74058-8559
	74058-8561	74058-8562	74058-8563	74058-8564	74058-8566	74058-8567

Series No. and Description	Assembly Order No.					
	74058-8568	74058-8569	74058-8571	74058-8572	74058-8573	74058-8574
	74058-8576	74058-8577	74058-8578	74058-8579	74058-8581	74058-8582
	74058-8583	74058-8584	74058-8586	74058-8587	74058-8588	74058-8589
	74058-9001	74058-9002	74058-9003	74058-9004	74058-9006	74058-9007
	74058-9008	74058-9009	74058-9011	74058-9012	74058-9013	74058-9014
	74058-9016	74058-9017	74058-9018	74058-9019	74058-9021	74058-9022
	74058-9023	74058-9024	74058-9026	74058-9027	74058-9028	74058-9029
	74058-9031	74058-9032	74058-9033	74058-9034	74058-9036	74058-9037
	74058-9038	74058-9039	74058-9041	74058-9042	74058-9043	74058-9044
	74058-9046	74058-9047	74058-9048	74058-9049	74058-9051	74058-9052
	74058-9053	74058-9054	74058-9056	74058-9057	74058-9058	74058-9059
	74058-9061	74058-9062	74058-9063	74058-9064	74058-9066	74058-9067
	74058-9068	74058-9069	74058-9071	74058-9072	74058-9073	74058-9074
	74058-9076	74058-9077	74058-9078	74058-9079	74058-9081	74058-9082
	74058-9083	74058-9084	74058-9086	74058-9087	74058-9088	74058-9089
74059 VHDM 6 Row Shield End	74059-1001	74059-1002	74059-1003	74059-1004	74059-1006	74059-1007
	74059-1008	74059-1009	74059-1011	74059-1012	74059-1013	74059-1014
	74059-1016	74059-1017	74059-1018	74059-1019	74059-1021	74059-1022
	74059-1023	74059-1024	74059-1026	74059-1027	74059-1028	74059-1029
	74059-1031	74059-1032	74059-1033	74059-1034	74059-1036	74059-1037
	74059-1038	74059-1039	74059-1041	74059-1042	74059-1043	74059-1044
	74059-1046	74059-1047	74059-1048	74059-1049	74059-1051	74059-1052
	74059-1053	74059-1054	74059-1056	74059-1057	74059-1058	74059-1059
	74059-1061	74059-1062	74059-1063	74059-1064	74059-1066	74059-1067
	74059-1068	74059-1069	74059-1071	74059-1072	74059-1073	74059-1074
	74059-1076	74059-1077	74059-1078	74059-1079	74059-1081	74059-1082
	74059-1083	74059-1084	74059-1086	74059-1087	74059-1088	74059-1089
	74059-2101	74059-2102	74059-2103	74059-2104	74059-2106	74059-2107

Series No. and Description	Assembly Order No.					
74059 VHDM 6 Row Shield End	74059-2108	74059-2109	74059-2111	74059-2112	74059-2113	74059-2114
	74059-2116	74059-2117	74059-2118	74059-2119	74059-2121	74059-2122
	74059-2123	74059-2124	74059-2126	74059-2127	74059-2128	74059-2129
	74059-2131	74059-2132	74059-2133	74059-2134	74059-2136	74059-2137
	74059-2138	74059-2139	74059-2141	74059-2142	74059-2143	74059-2144
	74059-2146	74059-2147	74059-2148	74059-2149	74059-2151	74059-2152
	74059-2153	74059-2154	74059-2156	74059-2157	74059-2158	74059-2159
	74059-2161	74059-2162	74059-2163	74059-2164	74059-2166	74059-2167
	74059-2168	74059-2169	74059-2171	74059-2172	74059-2173	74059-2174
	74059-2176	74059-2177	74059-2178	74059-2179	74059-2181	74059-2182
	74059-2183	74059-2184	74059-2186	74059-2187	74059-2188	74059-2189
	74059-2501	74059-2502	74059-2503	74059-2504	74059-2506	74059-2507
	74059-2508	74059-2509	74059-2511	74059-2512	74059-2513	74059-2514
	74059-2516	74059-2517	74059-2518	74059-2519	74059-2521	74059-2522
	74059-2523	74059-2524	74059-2526	74059-2527	74059-2528	74059-2529
	74059-2531	74059-2532	74059-2533	74059-2534	74059-2536	74059-2537
	74059-2538	74059-2539	74059-2541	74059-2542	74059-2543	74059-2544
	74059-2546	74059-2547	74059-2548	74059-2549	74059-2551	74059-2552
	74059-2553	74059-2554	74059-2556	74059-2557	74059-2558	74059-2559
	74059-2561	74059-2562	74059-2563	74059-2564	74059-2566	74059-2567
	74059-2568	74059-2569	74059-2571	74059-2572	74059-2573	74059-2574
	74059-2576	74059-2577	74059-2578	74059-2579	74059-2581	74059-2582
	74059-2583	74059-2584	74059-2586	74059-2587	74059-2588	74059-2589
	74059-8101	74059-8102	74059-8103	74059-8104	74059-8106	74059-8107
	74059-8108	74059-8109	74059-8111	74059-8112	74059-8113	74059-8114
	74059-8116	74059-8117	74059-8118	74059-8119	74059-8121	74059-8122
	74059-8123	74059-8124	74059-8126	74059-8127	74059-8128	74059-8129
	74059-8131	74059-8132	74059-8133	74059-8134	74059-8136	74059-8137

Series No. and Description	Assembly Order No.					
	74059-8138	74059-8139	74059-8141	74059-8142	74059-8143	74059-8144
	74059-8146	74059-8147	74059-8148	74059-8149	74059-8151	74059-8152
	74059-8153	74059-8154	74059-8156	74059-8157	74059-8158	74059-8159
	74059-8161	74059-8162	74059-8163	74059-8164	74059-8166	74059-8167
	74059-8168	74059-8169	74059-8171	74059-8172	74059-8173	74059-8174
	74059-8176	74059-8177	74059-8178	74059-8179	74059-8181	74059-8182
	74059-8183	74059-8184	74059-8186	74059-8187	74059-8188	74059-8189
	74059-8501	74059-8502	74059-8503	74059-8504	74059-8506	74059-8507
	74059-8508	74059-8509	74059-8511	74059-8512	74059-8513	74059-8514
	74059-8516	74059-8517	74059-8518	74059-8519	74059-8521	74059-8522
	74059-8523	74059-8524	74059-8526	74059-8527	74059-8528	74059-8529
	74059-8531	74059-8532	74059-8533	74059-8534	74059-8536	74059-8537
	74059-8538	74059-8539	74059-8541	74059-8542	74059-8543	74059-8544
	74059-8546	74059-8547	74059-8548	74059-8549	74059-8551	74059-8552
	74059-8553	74059-8554	74059-8556	74059-8557	74059-8558	74059-8559
	74059-8561	74059-8562	74059-8563	74059-8564	74059-8566	74059-8567
	74059-8568	74059-8569	74059-8571	74059-8572	74059-8573	74059-8574
	74059-8576	74059-8577	74059-8578	74059-8579	74059-8581	74059-8582
	74059-8583	74059-8584	74059-8586	74059-8587	74059-8588	74059-8589
	74059-9001	74059-9002	74059-9003	74059-9004	74059-9006	74059-9007
	74059-9008	74059-9009	74059-9011	74059-9012	74059-9013	74059-9014
	74059-9016	74059-9017	74059-9018	74059-9019	74059-9021	74059-9022
	74059-9023	74059-9024	74059-9026	74059-9027	74059-9028	74059-9029
	74059-9031	74059-9032	74059-9033	74059-9034	74059-9036	74059-9037
	74059-9038	74059-9039	74059-9041	74059-9042	74059-9043	74059-9044
	74059-9046	74059-9047	74059-9048	74059-9049	74059-9051	74059-9052
	74059-9053	74059-9054	74059-9056	74059-9057	74059-9058	74059-9059
	74059-9061	74059-9062	74059-9063	74059-9064	74059-9066	74059-9067

Series No. and Description	Assembly Order No.					
	74059-9068	74059-9069	74059-9071	74059-9072	74059-9073	74059-9074
	74059-9076	74059-9077	74059-9078	74059-9079	74059-9081	74059-9082
	74059-9083	74059-9084	74059-9086	74059-9087	74059-9088	74059-9089
76761 VHDM-H 6 Row Signal End	76761-1001	76761-1002	76761-1003	76761-1004	76761-1006	76761-1007
	76761-1008	76761-1009	76761-1011	76761-1012	76761-1013	76761-1014
	76761-1016	76761-1017	76761-1018	76761-1019	76761-1021	76761-1022
	76761-1023	76761-1024	76761-1026	76761-1027	76761-1028	76761-1029
	76761-1031	76761-1032	76761-1033	76761-1034	76761-1036	76761-1037
	76761-1038	76761-1039	76761-1041	76761-1042	76761-1043	76761-1044
	76761-1046	76761-1047	76761-1048	76761-1049	76761-1051	76761-1052
	76761-1053	76761-1054	76761-1056	76761-1057	76761-1058	76761-1059
	76761-1061	76761-1062	76761-1063	76761-1064	76761-1066	76761-1067
	76761-1068	76761-1069	76761-1071	76761-1072	76761-1073	76761-1074
	76761 VHDM-H 6 Row Signal End	76761-1076	76761-1077	76761-1078	76761-1079	76761-1081
76761-1083		76761-1084	76761-1086	76761-1087	76761-1088	76761-1089
76761-2501		76761-2502	76761-2503	76761-2504	76761-2506	76761-2507
76761-2508		76761-2509	76761-2511	76761-2512	76761-2513	76761-2514
76761-2516		76761-2517	76761-2518	76761-2519	76761-2521	76761-2522
76761-2523		76761-2524	76761-2526	76761-2527	76761-2528	76761-2529
76761-2531		76761-2532	76761-2533	76761-2534	76761-2536	76761-2537
76761-2538		76761-2539	76761-2541	76761-2542	76761-2543	76761-2544
76761-2546		76761-2547	76761-2548	76761-2549	76761-2551	76761-2552
76761-2553		76761-2554	76761-2556	76761-2557	76761-2558	76761-2559
76761-2561		76761-2562	76761-2563	76761-2564	76761-2566	76761-2567
76761-2568		76761-2569	76761-2571	76761-2572	76761-2573	76761-2574
76761-2576		76761-2577	76761-2578	76761-2579	76761-2581	76761-2582
76761-2583		76761-2584	76761-2586	76761-2587	76761-2588	76761-2589
76761-8501		76761-8502	76761-8503	76761-8504	76761-8506	76761-8507

Series No. and Description	Assembly Order No.					
	76761-8508	76761-8509	76761-8511	76761-8512	76761-8513	76761-8514
	76761-8516	76761-8517	76761-8518	76761-8519	76761-8521	76761-8522
	76761-8523	76761-8524	76761-8526	76761-8527	76761-8528	76761-8529
	76761-8531	76761-8532	76761-8533	76761-8534	76761-8536	76761-8537
	76761-8538	76761-8539	76761-8541	76761-8542	76761-8543	76761-8544
	76761-8546	76761-8547	76761-8548	76761-8549	76761-8551	76761-8552
	76761-8553	76761-8554	76761-8556	76761-8557	76761-8558	76761-8559
	76761-8561	76761-8562	76761-8563	76761-8564	76761-8566	76761-8567
	76761-8568	76761-8569	76761-8571	76761-8572	76761-8573	76761-8574
	76761-8576	76761-8577	76761-8578	76761-8579	76761-8581	76761-8582
	76761-8583	76761-8584	76761-8586	76761-8587	76761-8588	76761-8589
	76761-9001	76761-9002	76761-9003	76761-9004	76761-9006	76761-9007
	76761-9008	76761-9009	76761-9011	76761-9012	76761-9013	76761-9014
	76761-9016	76761-9017	76761-9018	76761-9019	76761-9021	76761-9022
	76761-9023	76761-9024	76761-9026	76761-9027	76761-9028	76761-9029
	76761-9031	76761-9032	76761-9033	76761-9034	76761-9036	76761-9037
	76761-9038	76761-9039	76761-9041	76761-9042	76761-9043	76761-9044
	76761-9046	76761-9047	76761-9048	76761-9049	76761-9051	76761-9052
	76761-9053	76761-9054	76761-9056	76761-9057	76761-9058	76761-9059
	76761-9061	76761-9062	76761-9063	76761-9064	76761-9066	76761-9067
	76761-9068	76761-9069	76761-9071	76761-9072	76761-9073	76761-9074
	76761-9076	76761-9077	76761-9078	76761-9079	76761-9081	76761-9082
	76761-9083	76761-9084	76761-9086	76761-9087	76761-9088	76761-9089
76762 VHDM-H 6 Row Shield End	76762-1001	76762-1002	76762-1003	76762-1004	76762-1006	76762-1007
	76762-1008	76762-1009	76762-1011	76762-1012	76762-1013	76762-1014
	76762-1016	76762-1017	76762-1018	76762-1019	76762-1021	76762-1022
	76762-1023	76762-1024	76762-1026	76762-1027	76762-1028	76762-1029
	76762-1031	76762-1032	76762-1033	76762-1034	76762-1036	76762-1037



Series No. and Description	Assembly Order No.					
	76762-1038	76762-1039	76762-1041	76762-1042	76762-1043	76762-1044
	76762-1046	76762-1047	76762-1048	76762-1049	76762-1051	76762-1052
	76762-1053	76762-1054	76762-1056	76762-1057	76762-1058	76762-1059
	76762-1061	76762-1062	76762-1063	76762-1064	76762-1066	76762-1067
	76762-1068	76762-1069	76762-1071	76762-1072	76762-1073	76762-1074
	76762-1076	76762-1077	76762-1078	76762-1079	76762-1081	76762-1082
	76762-1083	76762-1084	76762-1086	76762-1087	76762-1088	76762-1089
	76762-2501	76762-2502	76762-2503	76762-2504	76762-2506	76762-2507
	76762-2508	76762-2509	76762-2511	76762-2512	76762-2513	76762-2514
	76762-2516	76762-2517	76762-2518	76762-2519	76762-2521	76762-2522
	76762-2523	76762-2524	76762-2526	76762-2527	76762-2528	76762-2529
	76762-2531	76762-2532	76762-2533	76762-2534	76762-2536	76762-2537
76762 VHDM-H 6 Row Shield End	76762-2538	76762-2539	76762-2541	76762-2542	76762-2543	76762-2544
	76762-2546	76762-2547	76762-2548	76762-2549	76762-2551	76762-2552
	76762-2553	76762-2554	76762-2556	76762-2557	76762-2558	76762-2559
	76762-2561	76762-2562	76762-2563	76762-2564	76762-2566	76762-2567
	76762-2568	76762-2569	76762-2571	76762-2572	76762-2573	76762-2574
	76762-2576	76762-2577	76762-2578	76762-2579	76762-2581	76762-2582
	76762-2583	76762-2584	76762-2586	76762-2587	76762-2588	76762-2589
	76762-8501	76762-8502	76762-8503	76762-8504	76762-8506	76762-8507
	76762-8508	76762-8509	76762-8511	76762-8512	76762-8513	76762-8514
	76762-8516	76762-8517	76762-8518	76762-8519	76762-8521	76762-8522
	76762-8523	76762-8524	76762-8526	76762-8527	76762-8528	76762-8529
	76762-8531	76762-8532	76762-8533	76762-8534	76762-8536	76762-8537
	76762-8538	76762-8539	76762-8541	76762-8542	76762-8543	76762-8544
	76762-8546	76762-8547	76762-8548	76762-8549	76762-8551	76762-8552
	76762-8553	76762-8554	76762-8556	76762-8557	76762-8558	76762-8559
	76762-8561	76762-8562	76762-8563	76762-8564	76762-8566	76762-8567

Series No. and Description	Assembly Order No.					
	76762-8568	76762-8569	76762-8571	76762-8572	76762-8573	76762-8574
	76762-8576	76762-8577	76762-8578	76762-8579	76762-8581	76762-8582
	76762-8583	76762-8584	76762-8586	76762-8587	76762-8588	76762-8589
	76762-9001	76762-9002	76762-9003	76762-9004	76762-9006	76762-9007
	76762-9008	76762-9009	76762-9011	76762-9012	76762-9013	76762-9014
	76762-9016	76762-9017	76762-9018	76762-9019	76762-9021	76762-9022
	76762-9023	76762-9024	76762-9026	76762-9027	76762-9028	76762-9029
	76762-9031	76762-9032	76762-9033	76762-9034	76762-9036	76762-9037
	76762-9038	76762-9039	76762-9041	76762-9042	76762-9043	76762-9044
	76762-9046	76762-9047	76762-9048	76762-9049	76762-9051	76762-9052
	76762-9053	76762-9054	76762-9056	76762-9057	76762-9058	76762-9059
	76762-9061	76762-9062	76762-9063	76762-9064	76762-9066	76762-9067
	76762-9068	76762-9069	76762-9071	76762-9072	76762-9073	76762-9074
	76762-9076	76762-9077	76762-9078	76762-9079	76762-9081	76762-9082
	76762-9083	76762-9084	76762-9086	76762-9087	76762-9088	76762-9089
76763 VHDM-H 6 Row Open End	76763-1001	76763-1002	76763-1003	76763-1004	76763-1006	76763-1007
	76763-1008	76763-1009	76763-1501	76763-1502	76763-1503	76763-1504
	76763-1506	76763-1507	76763-1508	76763-1509	76763-2501	76763-2502
	76763-2503	76763-2504	76763-2506	76763-2507	76763-2508	76763-2509
	76763-8501	76763-8502	76763-8503	76763-8504	76763-8506	76763-8507
	76763-8508	76763-8509	76763-9001	76763-9002	76763-9003	76763-9004
	76763-9006	76763-9007	76763-9008	76763-9009	76763-9501	76763-9502
	76763-9503	76763-9504	76763-9506	76763-9507	76763-9508	76763-9509

\* VHDM<sup>®</sup> and VHDM-HSD<sup>™</sup> are registered trademarks of Amphenol Corporation.

**DESCRIPTION:**

This shield replacement tool is used for replacement of Backplane shields and inserting a complete row of signal pins in a module for 6-pair \* VHDM<sup>®</sup> and VHDM<sup>®</sup>-H backplane header assemblies.

**Before Operation make sure the damaged parts are removed.** Follow the instructions below.

1. Use the 62201-6000 (6-Row) Shield Extraction Tool to remove the damaged shield. See ATS-622016000 specification sheet for instructions.
2. To remove damaged signal pins, grasp the pins with a needle nose plier and pull straight up from the board.

3. In some cases it may be necessary to straighten a bent pin with the tweezers to allow access with the pliers.

**NOTE:** If a signal pin is broken off at the housing surface, it can be pushed out from the other side using a 0.46 to 0.71mm (.018" to .020") diameter steel pin.

4. If a single pin or pins need to be replaced, use a 62201-5700 Single Pin Replacement Tool to replace the pin(s). See ATS-622015700 specification sheet for instructions.

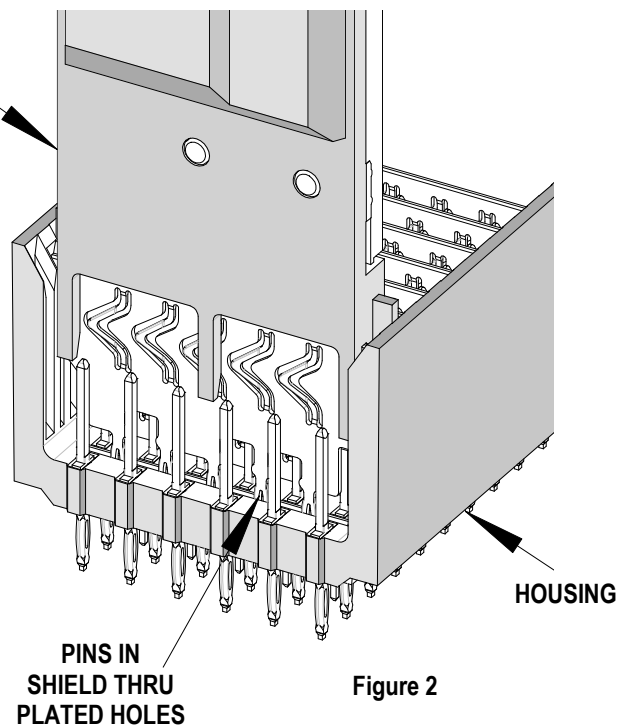
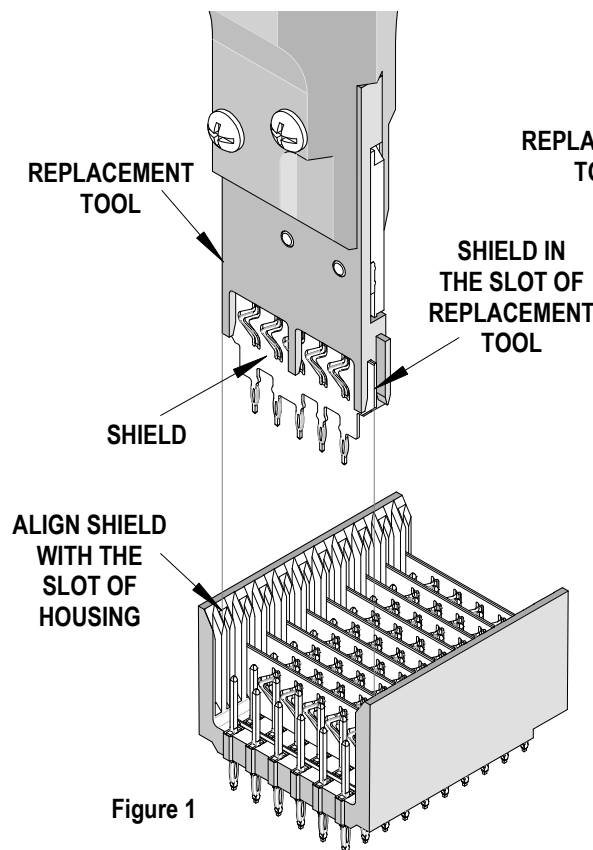
**WARNING:** Once a signal pin has been used, NEVER try to reuse it even though it may look fine. NEVER replace a pin in the same through plated hole more than two (2) times.

## OPERATION:

### REPLACING SHIELDS:

Once a damaged VHDM<sup>®</sup> or VHDM<sup>®</sup>-H shield has been removed follow the instructions below:

1. Slide a new shield into the replacement tool until it stops. Make sure it is centered in the tool and is in the proper orientation. See Figure 1.
2. Slowly insert the replacement tool into the housing. The ribs on the replacement tool should align with the slots in the housing. Make sure that the replacement tool is clear of any other pins and shields in the housing.



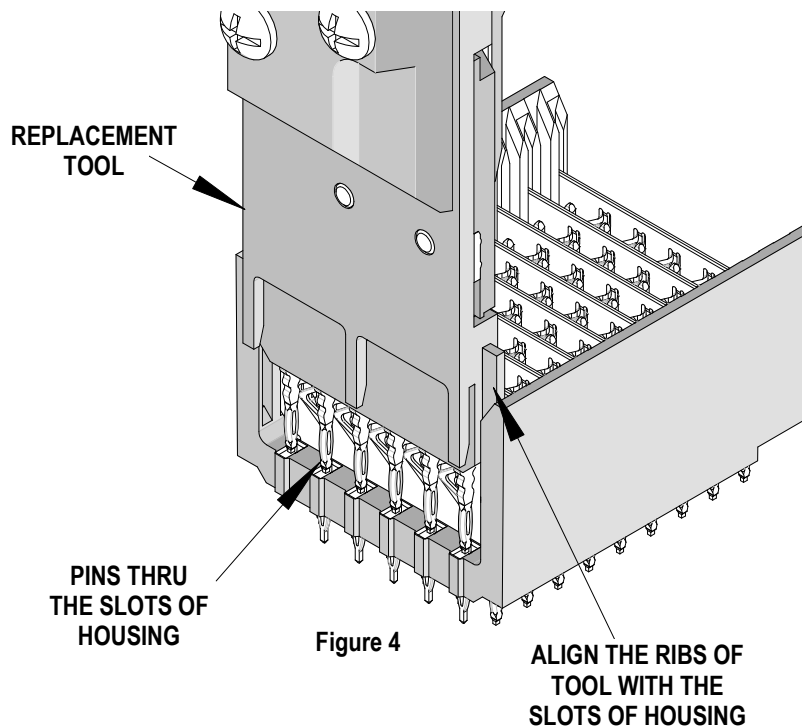
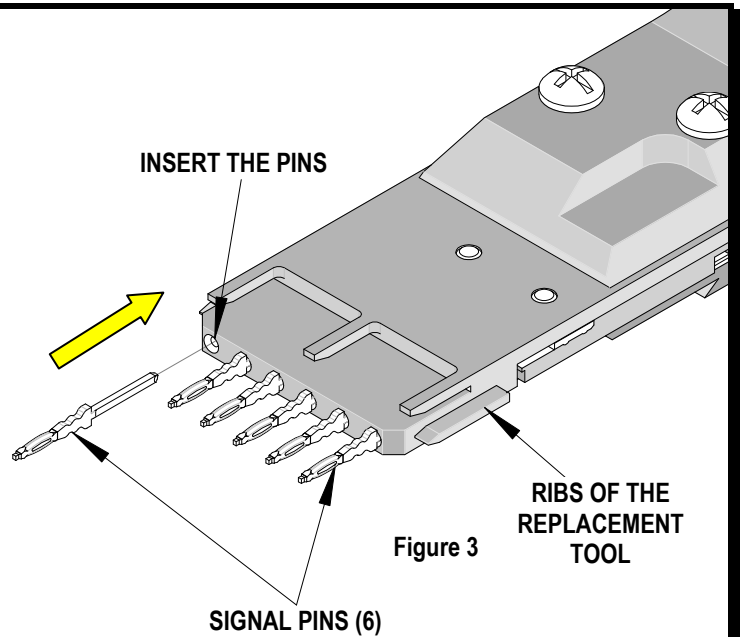
3. Gently push the replacement tool down until it stops. The new shield pins should pass through the housing and the plated-through holes in the backplane. See Figure 2.

4. If more force is needed, use a plastic small hammer to aid in seating the shield. Gently tap the top of the replacement tool with the plastic hammer until the shield is fully seated.
5. When the new shield is in place, slowly remove the replacement tool. Be careful not to damage any pins or shields in the connector.

**REPLACING A ROW OF SIGNAL PINS**

After a complete row of signal pins has been removed, follow the steps below to load a new row.

1. Using the same replacement tool insert the (6) signal pins into the holes in the bottom of the tool. Make sure the pin shoulders are flush with the bottom edge of the replacement tool and are in the proper position and direction. See Figure 3.
2. Slowly insert the replacement tool into the housing. The ribs on the replacement tool should align with the slots in the housing. Make sure that the replacement tool is clear of any other pins and shields in the housing.
3. Gently push the replacement tool down so the (6) pins are inserted through the housing and the plated thru holes in the backplane. See Figure 4.
4. If more force is needed, use a plastic small hammer to aid in seating the shield. Gently tap the top of the replacement tool with the plastic hammer until the shield is fully seated.
5. When the new pins are in place, slowly remove the replacement tool. Be careful not to damage any signal pins or shields in the connector.



Molex does not offer repair parts for this tool due to the inexpensive nature of the tool.

## Maintenance

It is recommended that each operator of the tool be made aware of, and responsible for, the following maintenance steps:

1. Remove dust, moisture, and other contaminants with a clean brush, or soft, lint free cloth.
2. Do not use any abrasive materials that could damage the tool.
3. When tool is not in use, store in a clean, dry area.
- 4.

**CAUTION: Molex specifications are valid only when used with Molex connectors and tooling.**

## Contact Information

For more information on Molex application tooling please contact Molex at 1-800-786-6539.

**Americas  
Headquarters**  
Lisle, Illinois 60532  
U.S.A.  
1-800-78MOLEX  
amerinfo@molex.com

**Far East North  
Headquarters**  
Yamato, Kanagawa, Japan  
81-462-65-2324  
feninfo@molex.com

**Far East South  
Headquarters**  
Jurong, Singapore  
65-6-268-6868  
fesinfo@molex.com

**European  
Headquarters**  
Munich, Germany  
49-89-413092-0  
eurinfo@molex.com

**Corporate  
Headquarters**  
2222 Wellington Ct.  
Lisle, IL 60532 U.S.A.  
630-969-4550  
Fax: 630-969-1352

Visit our Web site at <http://www.molex.com>