



Chipsmall Limited consists of a professional team with an average of over 10 year of expertise in the distribution of electronic components. Based in Hongkong, we have already established firm and mutual-benefit business relationships with customers from,Europe,America and south Asia,supplying obsolete and hard-to-find components to meet their specific needs.

With the principle of “Quality Parts,Customers Priority,Honest Operation,and Considerate Service”,our business mainly focus on the distribution of electronic components. Line cards we deal with include Microchip,ALPS,ROHM,Xilinx,Pulse,ON,Everlight and Freescale. Main products comprise IC,Modules,Potentiometer,IC Socket,Relay,Connector.Our parts cover such applications as commercial,industrial, and automotives areas.

We are looking forward to setting up business relationship with you and hope to provide you with the best service and solution. Let us make a better world for our industry!



Contact us

Tel: +86-755-8981 8866 Fax: +86-755-8427 6832

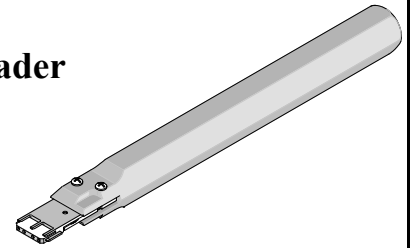
Email & Skype: info@chipsmall.com Web: www.chipsmall.com

Address: A1208, Overseas Decoration Building, #122 Zhenhua RD., Futian, Shenzhen, China





**VHDM[®] and VHDM-HSD[™] Backplane Header
Pin and Shield Replacement Tool
Specification Sheet
Order No 62201-5810**



FEATURES

- This tool is used for the replacement of damaged Backplane Shields. It can also install a complete row of signal pins
- Lightweight tool that is easy to use
- See 62201-0999 VHDM[®] and VHDM-HSD[™] Installation and Repair Tooling Operation Manual for more information on tooling, presses and repair

SCOPE

Products: 2.00mm (.079") Pitch VHDM-HSD[™] and Advanced Mate Shield Backplane Header Module Assemblies, 5-Row, Series 74695, and 74696, 74697. See Product List below for specific part numbers.

Product List

The following is a partial list of the product order numbers and their specifications this tool is designed to run. Updates to this list are available on www.molex.com.

Series No. and Description	Assembly Order No.						
74695 VHDM-HSD [™] 5-Row Open End	74695-1001	74695-1002	74695-1003	74695-1004	74695-1006	74695-1007	
	74695-1008	74695-1009	74695-1101	74695-1102	74695-1103	74695-1104	
	74695-1106	74695-1107	74695-1108	74695-1109	74695-1201	74695-1202	
	74695-1203	74695-1204	74695-1206	74695-1207	74695-1208	74695-1209	
	74695-2501	74695-2502	74695-2503	74695-2504	74695-2506	74695-2507	
	74695-2508	74695-2509	74695-2601	74695-2602	74695-2603	74695-2604	
	74695-2606	74695-2607	74695-2608	74695-2609	74695-8501	74695-8502	
	74695-8503	74695-8504	74695-8506	74695-8507	74695-8508	74695-8509	
	74695-9001	74695-9002	74695-9003	74695-9004	74695-9006	74695-9007	
	74695-9008	74695-9009	74695-9201	74695-9202	74695-9203	74695-9204	
	74695-9206	74695-9207	74695-9208	74695-9209			
	74696 VHDM-HSD [™] 5-Row Signal End	74696-0501	74696-0502	74696-0503	74696-0504	74696-0506	74696-0507
		74696-0508	74696-0509	74696-0511	74696-0512	74696-0513	74696-0514

Series No. and Description	Assembly Order No.					
	74696-0516	74696-0517	74696-0518	74696-0519	74696-0521	74696-0522
	74696-0523	74696-0524	74696-0526	74696-0527	74696-0528	74696-0529
	74696-0531	74696-0532	74696-0533	74696-0534	74696-0536	74696-0537
	74696-0538	74696-0539	74696-0541	74696-0542	74696-0543	74696-0544
	74696-0546	74696-0547	74696-0548	74696-0549	74696-0551	74696-0552
	74696-0553	74696-0554	74696-0556	74696-0557	74696-0558	74696-0559
	74696-0561	74696-0562	74696-0563	74696-0564	74696-0566	74696-0567
	74696-0568	74696-0569	74696-0571	74696-0572	74696-0573	74696-0574
	74696-0576	74696-0577	74696-0578	74696-0579	74696-0581	74696-0582
	74696-0583	74696-0584	74696-0586	74696-0587	74696-0588	74696-0589
	74696-1001	74696-1002	74696-1003	74696-1004	74696-1006	74696-1007
	74696-1008	74696-1009	74696-1011	74696-1012	74696-1013	74696-1014
	74696-1016	74696-1017	74696-1018	74696-1019	74696-1021	74696-1022
74696 VHDM-HSD [™] 5-Row Signal End	74696-1023	74696-1024	74696-1026	74696-1027	74696-1028	74696-1029
	74696-1031	74696-1032	74696-1033	74696-1034	74696-1036	74696-1037
	74696-1038	74696-1039	74696-1041	74696-1042	74696-1043	74696-1044
	74696-1046	74696-1047	74696-1048	74696-1049	74696-1051	74696-1052
	74696-1053	74696-1054	74696-1056	74696-1057	74696-1058	74696-1059
	74696-1061	74696-1062	74696-1063	74696-1064	74696-1066	74696-1067
	74696-1068	74696-1069	74696-1071	74696-1072	74696-1073	74696-1074
	74696-1076	74696-1077	74696-1078	74696-1079	74696-1081	74696-1082
	74696-1083	74696-1084	74696-1086	74696-1087	74696-1088	74696-1089
	74696-1101	74696-1102	74696-1103	74696-1104	74696-1106	74696-1107
	74696-1108	74696-1109	74696-1111	74696-1112	74696-1113	74696-1114
	74696-1116	74696-1117	74696-1118	74696-1119	74696-1121	74696-1122
	74696-1123	74696-1124	74696-1126	74696-1127	74696-1128	74696-1129
	74696-1131	74696-1132	74696-1133	74696-1134	74696-1136	74696-1137
	74696-1138	74696-1139	74696-1141	74696-1142	74696-1143	74696-1144

Series No. and Description	Assembly Order No.					
	74696-1146	74696-1147	74696-1148	74696-1149	74696-1151	74696-1152
	74696-1153	74696-1154	74696-1156	74696-1157	74696-1158	74696-1159
	74696-1161	74696-1162	74696-1163	74696-1164	74696-1166	74696-1167
	74696-1168	74696-1169	74696-1171	74696-1172	74696-1173	74696-1174
	74696-1176	74696-1177	74696-1178	74696-1179	74696-1181	74696-1182
	74696-1183	74696-1184	74696-1186	74696-1187	74696-1188	74696-1189
	74696-2501	74696-2502	74696-2503	74696-2504	74696-2506	74696-2507
	74696-2508	74696-2509	74696-2511	74696-2512	74696-2513	74696-2514
	74696-2516	74696-2517	74696-2518	74696-2519	74696-2521	74696-2522
	74696-2523	74696-2524	74696-2526	74696-2527	74696-2528	74696-2529
	74696-2531	74696-2532	74696-2533	74696-2534	74696-2536	74696-2537
	74696-2538	74696-2539	74696-2541	74696-2542	74696-2543	74696-2544
	74696-2546	74696-2547	74696-2548	74696-2549	74696-2551	74696-2552
	74696-2553	74696-2554	74696-2556	74696-2557	74696-2558	74696-2559
	74696-2561	74696-2562	74696-2563	74696-2564	74696-2566	74696-2567
	74696-2568	74696-2569	74696-2571	74696-2572	74696-2573	74696-2574
	74696-2576	74696-2577	74696-2578	74696-2579	74696-2581	74696-2582
	74696-2583	74696-2584	74696-2586	74696-2587	74696-2588	74696-2589
	74696-2601	74696-2602	74696-2603	74696-2604	74696-2606	74696-2607
	74696-2608	74696-2609	74696-2611	74696-2612	74696-2613	74696-2614
	74696-2616	74696-2617	74696-2618	74696-2619	74696-2621	74696-2622
	74696-2623	74696-2624	74696-2626	74696-2627	74696-2628	74696-2629
	74696-2631	74696-2632	74696-2633	74696-2634	74696-2636	74696-2637
	74696-2638	74696-2639	74696-2641	74696-2642	74696-2643	74696-2644
	74696-2646	74696-2647	74696-2648	74696-2649	74696-2651	74696-2652
	74696-2653	74696-2654	74696-2656	74696-2657	74696-2658	74696-2659
	74696-2661	74696-2662	74696-2663	74696-2664	74696-2666	74696-2667
	74696-2668	74696-2669	74696-2671	74696-2672	74696-2673	74696-2674

Series No. and Description	Assembly Order No.						
	74696-2676	74696-2677	74696-2678	74696-2679	74696-2681	74696-2682	
	74696-2683	74696-2684	74696-2686	74696-2687	74696-2688	74696-2689	
	74696-8501	74696-8502	74696-8503	74696-8504	74696-8506	74696-8507	
	74696-8508	74696-8509	74696-8511	74696-8512	74696-8513	74696-8514	
	74696-8516	74696-8517	74696-8518	74696-8519	74696-8521	74696-8522	
	74696-8523	74696-8524	74696-8526	74696-8527	74696-8528	74696-8529	
	74696-8531	74696-8532	74696-8533	74696-8534	74696-8536	74696-8537	
	74696-8538	74696-8539	74696-8541	74696-8542	74696-8543	74696-8544	
	74696-8546	74696-8547	74696-8548	74696-8549	74696-8551	74696-8552	
	74696-8553	74696-8554	74696-8556	74696-8557	74696-8558	74696-8559	
	74696-8561	74696-8562	74696-8563	74696-8564	74696-8566	74696-8567	
	74696-8568	74696-8569	74696-8571	74696-8572	74696-8573	74696-8574	
74696 VHDM-HSD [™] 5-Row Signal End	74696-8576	74696-8577	74696-8578	74696-8579	74696-8581	74696-8582	
	74696-8583	74696-8584	74696-8586	74696-8587	74696-8588	74696-8589	
	74696-9501	74696-9502	74696-9503	74696-9504	74696-9506	74696-9507	
	74696-9508	74696-9509	74696-9511	74696-9512	74696-9513	74696-9514	
	74696-9516	74696-9517	74696-9518	74696-9519	74696-9521	74696-9522	
	74696-9523	74696-9524	74696-9526	74696-9527	74696-9528	74696-9529	
	74696-9531	74696-9532	74696-9533	74696-9534	74696-9536	74696-9537	
	74696-9538	74696-9539	74696-9541	74696-9542	74696-9543	74696-9544	
	74696-9546	74696-9547	74696-9548	74696-9549	74696-9551	74696-9552	
	74696-9553	74696-9554	74696-9556	74696-9557	74696-9558	74696-9559	
	74696-9561	74696-9562	74696-9563	74696-9564	74696-9566	74696-9567	
	74696-9568	74696-9569	74696-9571	74696-9572	74696-9573	74696-9574	
	74696-9576	74696-9577	74696-9578	74696-9579	74696-9581	74696-9582	
	74696-9583	74696-9584	74696-9586	74696-9587	74696-9588	74696-9589	
	74697 VHDM-HSD [™] 5-Row Shield End	74697-1001	74697-1002	74697-1003	74697-1004	74697-1006	74697-1007
		74697-1008	74697-1009	74697-1011	74697-1012	74697-1013	74697-1014

Series No. and Description	Assembly Order No.					
	74697-1016	74697-1017	74697-1018	74697-1019	74697-1021	74697-1022
	74697-1023	74697-1024	74697-1026	74697-1027	74697-1028	74697-1029
	74697-1031	74697-1032	74697-1033	74697-1034	74697-1036	74697-1037
	74697-1038	74697-1039	74697-1041	74697-1042	74697-1043	74697-1044
	74697-1046	74697-1047	74697-1048	74697-1049	74697-1051	74697-1052
	74697-1053	74697-1054	74697-1056	74697-1057	74697-1058	74697-1059
	74697-1061	74697-1062	74697-1063	74697-1064	74697-1066	74697-1067
	74697-1068	74697-1069	74697-1071	74697-1072	74697-1073	74697-1074
	74697-1076	74697-1077	74697-1078	74697-1079	74697-1081	74697-1082
	74697-1083	74697-1084	74697-1086	74697-1087	74697-1088	74697-1089
	74697-1101	74697-1102	74697-1103	74697-1104	74697-1106	74697-1107
	74697-1108	74697-1109	74697-1111	74697-1112	74697-1113	74697-1114
	74697-1116	74697-1117	74697-1118	74697-1119	74697-1121	74697-1122
	74697-1123	74697-1124	74697-1126	74697-1127	74697-1128	74697-1129
	74697-1131	74697-1132	74697-1133	74697-1134	74697-1136	74697-1137
	74697-1138	74697-1139	74697-1141	74697-1142	74697-1143	74697-1144
	74697-1146	74697-1147	74697-1148	74697-1149	74697-1151	74697-1152
	74697-1153	74697-1154	74697-1156	74697-1157	74697-1158	74697-1159
	74697-1161	74697-1162	74697-1163	74697-1164	74697-1166	74697-1167
	74697-1168	74697-1169	74697-1171	74697-1172	74697-1173	74697-1174
	74697-1176	74697-1177	74697-1178	74697-1179	74697-1181	74697-1182
	74697-1183	74697-1184	74697-1186	74697-1187	74697-1188	74697-1189
	74697-2501	74697-2502	74697-2503	74697-2504	74697-2506	74697-2507
	74697-2508	74697-2509	74697-2511	74697-2512	74697-2513	74697-2514
	74697-2516	74697-2517	74697-2518	74697-2519	74697-2521	74697-2522
	74697-2523	74697-2524	74697-2526	74697-2527	74697-2528	74697-2529
	74697-2531	74697-2532	74697-2533	74697-2534	74697-2536	74697-2537
	74697-2538	74697-2539	74697-2541	74697-2542	74697-2543	74697-2544

Series No. and Description	Assembly Order No.						
	74697-2546	74697-2547	74697-2548	74697-2549	74697-2551	74697-2552	
	74697-2553	74697-2554	74697-2556	74697-2557	74697-2558	74697-2559	
	74697-2561	74697-2562	74697-2563	74697-2564	74697-2566	74697-2567	
	74697-2568	74697-2569	74697-2571	74697-2572	74697-2573	74697-2574	
	74697-2576	74697-2577	74697-2578	74697-2579	74697-2581	74697-2582	
	74697-2583	74697-2584	74697-2586	74697-2587	74697-2588	74697-2589	
	74697-2601	74697-2602	74697-2603	74697-2604	74697-2606	74697-2607	
	74697-2608	74697-2609	74697-2611	74697-2612	74697-2613	74697-2614	
	74697-2616	74697-2617	74697-2618	74697-2619	74697-2621	74697-2622	
	74697-2623	74697-2624	74697-2626	74697-2627	74697-2628	74697-2629	
	74697-2631	74697-2632	74697-2633	74697-2634	74697-2636	74697-2637	
	74697 VHDM-HSD [™] 5-Row Shield End	74697-2638	74697-2639	74697-2641	74697-2642	74697-2643	74697-2644
		74697-2646	74697-2647	74697-2648	74697-2649	74697-2651	74697-2652
		74697-2653	74697-2654	74697-2656	74697-2657	74697-2658	74697-2659
74697-2661		74697-2662	74697-2663	74697-2664	74697-2666	74697-2667	
74697-2668		74697-2669	74697-2671	74697-2672	74697-2673	74697-2674	
74697-2676		74697-2677	74697-2678	74697-2679	74697-2681	74697-2682	
74697-2683		74697-2684	74697-2686	74697-2687	74697-2688	74697-2689	
74697-8501		74697-8502	74697-8503	74697-8504	74697-8506	74697-8507	
74697-8508		74697-8509	74697-8511	74697-8512	74697-8513	74697-8514	
74697-8516		74697-8517	74697-8518	74697-8519	74697-8521	74697-8522	
74697-8523		74697-8524	74697-8526	74697-8527	74697-8528	74697-8529	
74697-8531		74697-8532	74697-8533	74697-8534	74697-8536	74697-8537	
74697-8538		74697-8539	74697-8541	74697-8542	74697-8543	74697-8544	
74697-8546		74697-8547	74697-8548	74697-8549	74697-8551	74697-8552	
74697-8553		74697-8554	74697-8556	74697-8557	74697-8558	74697-8559	
74697-8561		74697-8562	74697-8563	74697-8564	74697-8566	74697-8567	
74697-8568		74697-8569	74697-8571	74697-8572	74697-8573	74697-8574	

Series No. and Description	Assembly Order No.					
	74697-8576	74697-8577	74697-8578	74697-8579	74697-8581	74697-8582
	74697-8583	74697-8584	74697-8586	74697-8587	74697-8588	74697-8589
	74697-9001	74697-9002	74697-9003	74697-9004	74697-9006	74697-9007
	74697-9008	74697-9009	74697-9011	74697-9012	74697-9013	74697-9014
	74697-9016	74697-9017	74697-9018	74697-9019	74697-9021	74697-9022
	74697-9023	74697-9024	74697-9026	74697-9027	74697-9028	74697-9029
	74697-9031	74697-9032	74697-9033	74697-9034	74697-9036	74697-9037
	74697-9038	74697-9039	74697-9041	74697-9042	74697-9043	74697-9044
	74697-9046	74697-9047	74697-9048	74697-9049	74697-9051	74697-9052
	74697-9053	74697-9054	74697-9056	74697-9057	74697-9058	74697-9059
	74697-9061	74697-9062	74697-9063	74697-9064	74697-9066	74697-9067
	74697-9068	74697-9069	74697-9071	74697-9072	74697-9073	74697-9074
	74697-9076	74697-9077	74697-9078	74697-9079	74697-9081	74697-9082
	74697-9083	74697-9084	74697-9086	74697-9087	74697-9088	74697-9089

* VHDM[®] and VHDM-HSD[™] are registered trademarks of Amphenol Corporation.

DESCRIPTION:

This shield replacement tool is used for replacement of Backplane shields and inserting a complete row of signal pins in a module for 5-pair * VHDM-HSD[™] backplane header assemblies.

Before Operation make sure the damaged parts are removed. Follow the instructions below.

1. Use the 62201-6010 (5-Row) Shield Extraction Tool to remove the damaged shield. See ATS-622016010 specification sheet for instructions.
2. To remove damaged signal pins, grasp the pins with needle nose pliers and pull straight up from the board.
3. In some cases it may be necessary to straighten a bent pin with the tweezers to allow access with the pliers.

NOTE: If a signal pin is broken off at the housing surface, it can be pushed out from the other side using a 0.46 to 0.71mm (.018” to .020”) diameter steel pin.

4. If a single pin or pins need to be replaced, use a 62201-5700 Single Pin Replacement Tool to replace the pin(s). See ATS-622015700 specification sheet for instructions.

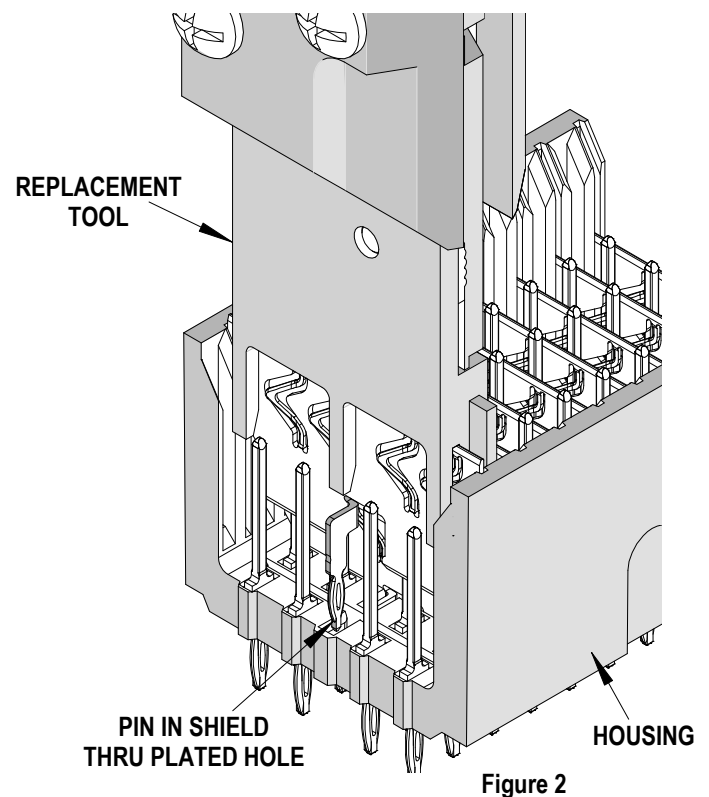
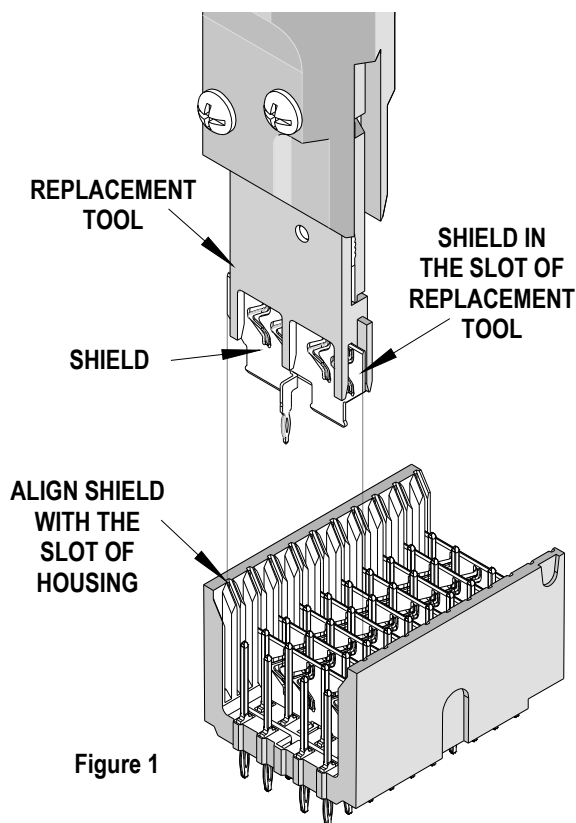
WARNING: Once a signal pin has been used, NEVER try to reuse it even though it may look fine. NEVER replace a pin in the same through plated hole more than two (2) times.

OPERATION:

REPLACING SHIELDS:

Once a damaged VHDM-HSD[™] shield has been removed follow the instructions below:

1. Slide a new shield into the replacement tool until it stops. Make sure it is centered in the tool and is in the proper orientation. See Figure 1.
2. Slowly insert the replacement tool into the housing. The ribs on the replacement tool should align with the slots in the housing. Make sure that the replacement tool is clear of any other pins and shields in the housing.



3. Gently push the replacement tool down until it stops. The new shield pin should pass through the housing and the plated-through hole in the backplane. See Figure 2.
4. If more force is needed, use a plastic small hammer to aid in seating the shield. Gently tap the top of the replacement tool with the plastic hammer until the shield is fully seated.
5. When the new shield is in place, slowly remove the replacement tool. Be careful not to damage any pins or shields in the connector.

REPLACING A ROW OF SIGNAL PINS

After a complete row of signal pins has been removed, follow the steps below to load a new row.

1. Using the same replacement tool insert the (4) signal pins into the holes in the bottom of the tool. Make sure the pin shoulders are flush with the bottom edge of the replacement tool and are in the proper position and direction. See Figure 3.
2. Slowly insert the replacement tool into the housing. The ribs on the replacement tool should align with the slots in the housing. Make sure that the replacement tool is clear of any other pins and shields in the housing.
3. Gently push the replacement tool down so the (4) pins are inserted through the housing and the plated thru holes in the backplane. See Figure 4.
4. If more force is needed, use a plastic small hammer to aid in seating the shield. Gently tap the top of the replacement tool with the plastic hammer until the shield is fully seated.
5. When the new pins are in place, slowly remove the replacement tool. Be careful not to damage any signal pins or shields in the connector.

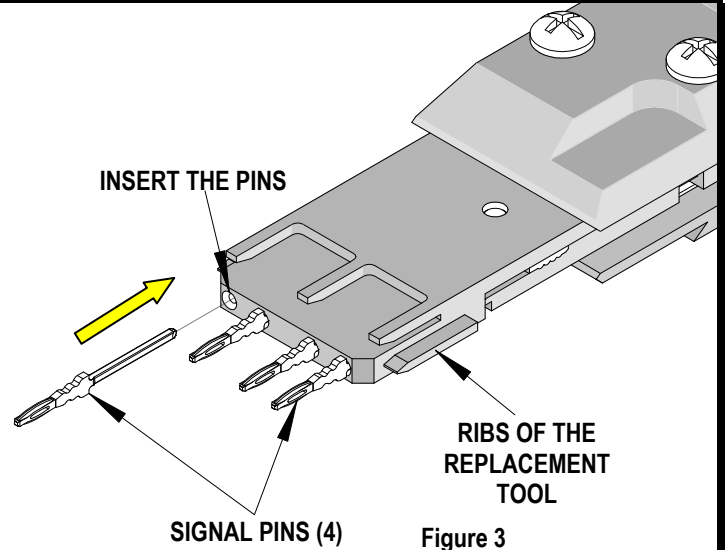


Figure 3

Molex does not offer repair parts for this tool due to its inexpensive nature of the tool.

Maintenance

It is recommended that each operator of the tool be made aware of, and responsible for, the following maintenance steps:

1. Remove dust, moisture, and other contaminants with a clean brush, or soft, lint free cloth.
2. Do not use any abrasive materials that could damage the tool.
3. When tool is not in use, store in a clean, dry area.

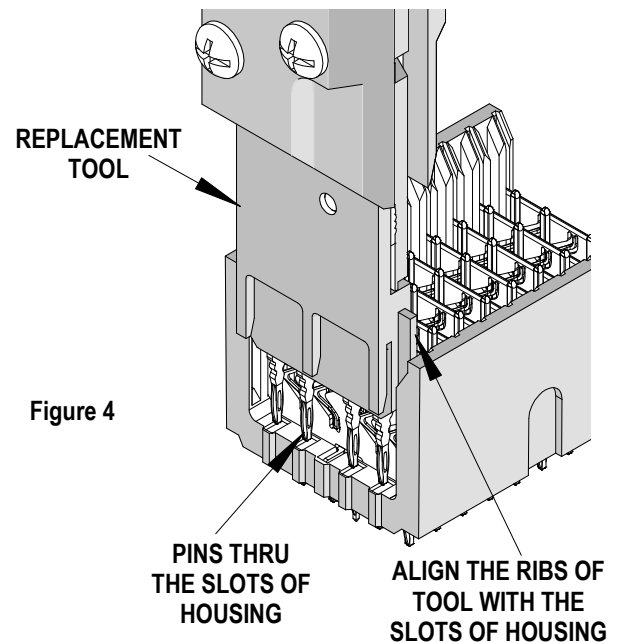


Figure 4

CAUTION: Molex specifications are valid only when used with Molex connectors and tooling.

Contact Information

For more information on Molex application tooling please contact Molex at 1-800-786-6539.

Americas Headquarters
 Lisle, Illinois 60532
 U.S.A.
 1-800-78MOLEX
 amerinfo@molex.com

Far East North Headquarters
 Yamato, Kanagawa, Japan
 81-462-65-2324
 feninfo@molex.com

Far East South Headquarters
 Jurong, Singapore
 65-6-268-6868
 fesinfo@molex.com

European Headquarters
 Munich, Germany
 49-89-413092-0
 eurinfo@molex.com

Corporate Headquarters
 2222 Wellington Ct.
 Lisle, IL 60532 U.S.A.
 630-969-4550
 Fax: 630-969-1352

Visit our Web site at <http://www.molex.com>

