



Chipsmall Limited consists of a professional team with an average of over 10 year of expertise in the distribution of electronic components. Based in Hongkong, we have already established firm and mutual-benefit business relationships with customers from,Europe,America and south Asia,supplying obsolete and hard-to-find components to meet their specific needs.

With the principle of “Quality Parts,Customers Priority,Honest Operation,and Considerate Service”,our business mainly focus on the distribution of electronic components. Line cards we deal with include Microchip,ALPS,ROHM,Xilinx,Pulse,ON,Everlight and Freescale. Main products comprise IC,Modules,Potentiometer,IC Socket,Relay,Connector.Our parts cover such applications as commercial,industrial, and automotives areas.

We are looking forward to setting up business relationship with you and hope to provide you with the best service and solution. Let us make a better world for our industry!



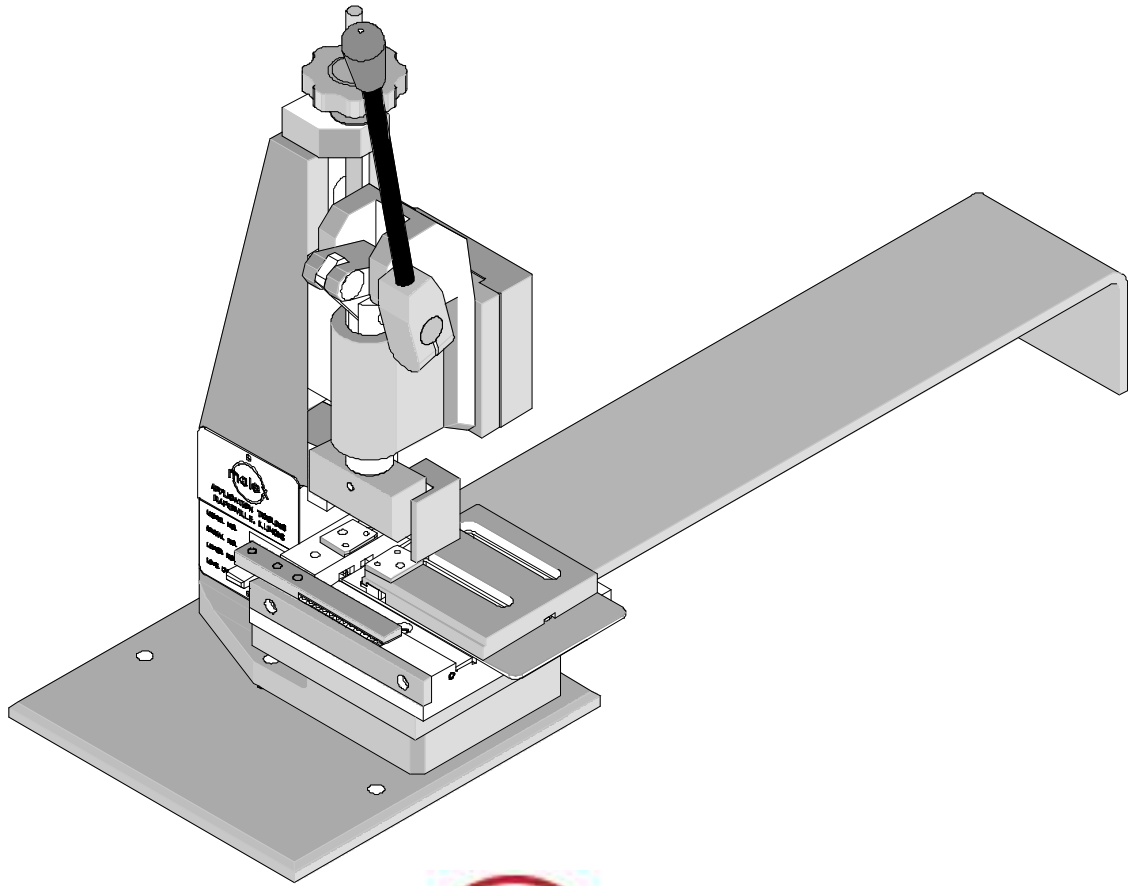
## Contact us

Tel: +86-755-8981 8866 Fax: +86-755-8427 6832

Email & Skype: info@chipsmall.com Web: www.chipsmall.com

Address: A1208, Overseas Decoration Building, #122 Zhenhua RD., Futian, Shenzhen, China





**RAST 5.0 ARBOR PRESS  
TERMINATOR  
Order Number 62201-7500  
Operation Manual**

- Description
- Operation
- Maintenance

## **WARNING**

**NEVER** OPERATE, SERVICE, INSTALL OR ADJUST THIS MACHINE WITHOUT PROPER INSTRUCTION AND WITHOUT FIRST READING AND UNDERSTANDING THE INSTRUCTIONS IN THIS MANUAL AND ALL APPLICABLE PRESS AND/OR WIRE PROCESSING MACHINE MANUALS.

**WORK SAFELY AT ALL TIMES**

**For Service, Contact Your  
Local Molex Sales Office**

**Molex Application Tooling Group  
2200 Wellington Court  
Lisle, Illinois 60532  
Tel: 630-969-4550  
Fax: 630-505-0049**

## Table of Contents

### SECTION

1. General Description
2. Set-Up and Operation
3. Maintenance, Perishable Parts, Spare Parts and Troubleshooting
4. Parts List and Assembly Drawings
5. Connector Series Chart

## Section 1

### General Description

- 1.1 Description
- 1.2 Features
- 1.3 Technical Specifications
- 1.4 Delivery Check

Principal Mechanical parts of the RAST 5.0 Terminator 62201-7500

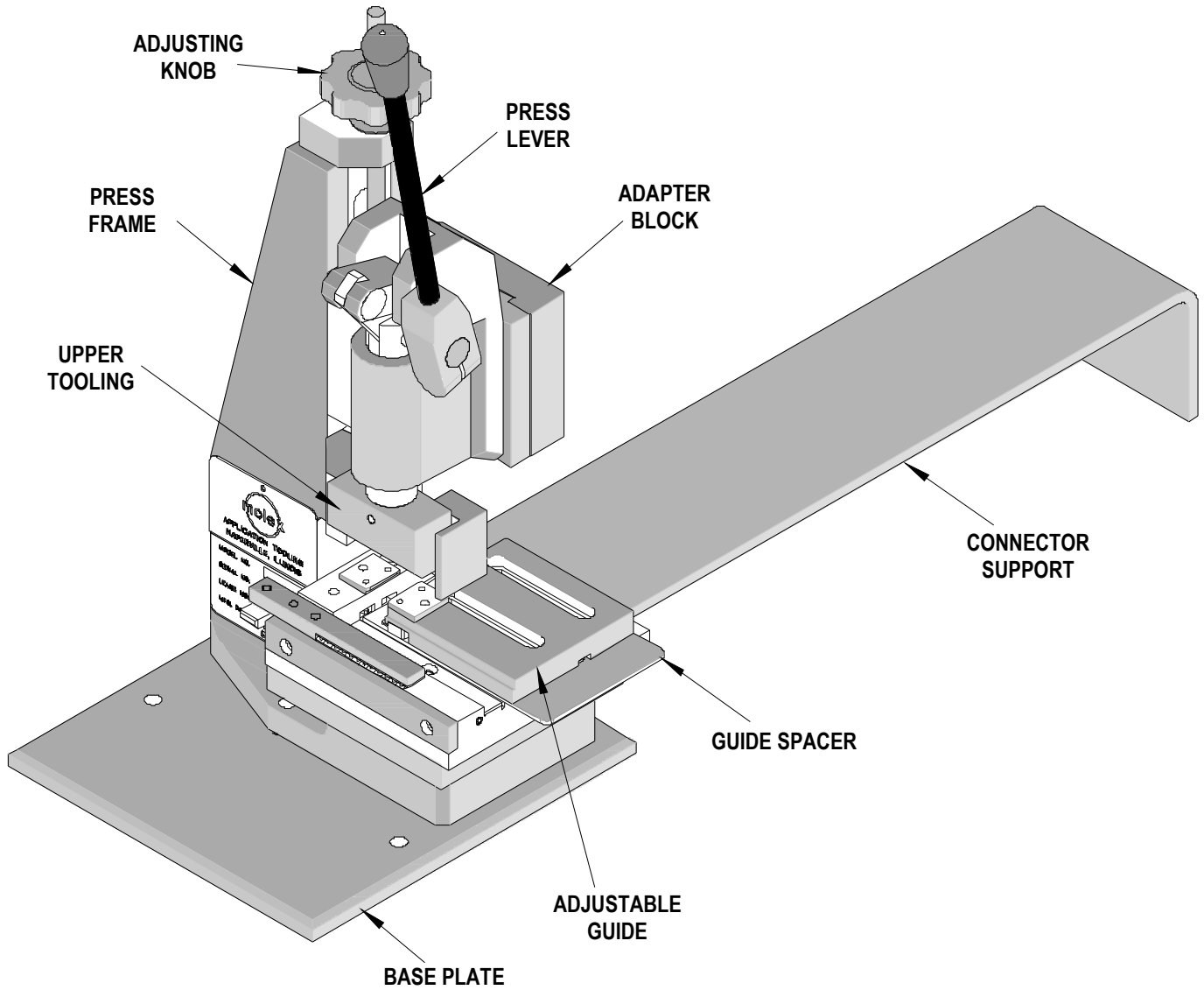


Figure 1-1



## General Description

### 1.1. Description

The 62201-7500 Rast 5.0 Discrete Wire Arbor Press Terminator is designed to terminate the Rast 5.0 connector (90833, 90835, 90888, 91338, 91777, 91778, 91779, 91954 and 92000 Series) onto discrete wires of various sizes (0.35 mm<sup>2</sup> to 0.38 mm<sup>2</sup>) for 4A, (0.5 mm<sup>2</sup> to 0.75 mm<sup>2</sup>) for 6A and (1.0 mm<sup>2</sup> to 1.5 mm<sup>2</sup>) for 16A. These connectors come in long chains or "stacks" that are cut apart during termination. The tooling will accommodate from 1 to 12 circuits. The operator loads a connector into the nest, inserts the wires into position, and operates the press. When termination is complete the operator removes the harness. This terminator is ideally suited for low to medium volume production.

### 1.2. Features

- Bench mounted operation.
- Manual operation, no air or electricity required.
- Easily moved from one location to another.

### 1.3. Technical Specification

#### Dimensions

Width: 230mm(11.4")  
 Depth: 145mm(5.7") without connector support  
 Depth: 480mm(18.9") with connector support  
 Height: 525mm(20.7")

#### Weight

22.71kg (50lbs)

#### Rate

Approximately 450 discrete wires per hour depending on operator skill.

### 1.4. Delivery Check

Carefully remove the Terminator from its shipping container and determine that the following items are included in the package.

| Description  | Quantity |
|--|----------|
| 62201-7500 Rast 5.0 Terminator Press               | 1        |
| 62201-7414 Housing Load Platform                   | 1        |
| TM-622017500 Operation Manual                      | 1        |
| 62201-7512 16 AMP Top Wire Guide                   | 1        |
| <b>OR</b>  |          |
| (one guide or the other is installed in the press) |          |
| 62201-7513 6 AMP Top Wire Guide                    | 1        |

## Section 2

### Set-Up and Operation

- 2.1. Installation
- 2.2. Set-Up
- 2.3. Operation



## 2.1 Installation

Set the press on a bench of suitable height and capable of supporting at least 70 kg (155 lbs). Using the two (2) M4 X 12 FSHCs supplied with the press, mount the Housing Load Platform to the press as shown in Figure 1-1. (See also the assembly drawing in Section 4.) There are two (2) clearance holes in the base plate (see Fig, 1-1), for 8 mm or 5/16 in. screws, if it is desired to bolt the press to the bench. Make sure there is adequate room around the press for the operator to load connectors and to store wires and finished harnesses. Make certain there is adequate lighting.

## 2.2 Setup

### 2.2.1 Termination Height

Refer to Figure 1-1 and 2-1.

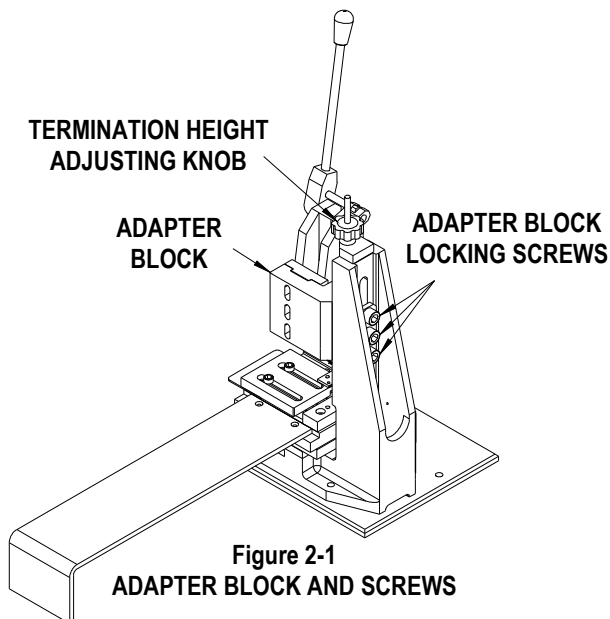


Figure 2-1  
ADAPTER BLOCK AND SCREWS

In order to insure the connector top half is correctly seated in the lower half and that the wires are correctly terminated, it may necessary to adjust the termination height. This is done as follows:

1. To adjust the termination height, loosen the three (3) socket head cap screws that lock the adaptor block to the press frame.
2. To decrease the termination height (the height of the connector after termination) turn the

- height adjusting knob counterclockwise. To increase the height, turn the knob clockwise.
3. When the desired height is set, tighten the locking screws. The height of the connector after termination should be as follows:
  - a) 90833, 90888, 91338and 91954 series, height =  $23 +0.2 / -0.1$  mm.
  - b) 90835 and 91247 series, height =  $25 +0.2 / -0.1$  mm.
  - c) See also sheet 4 of the application specifications #AS-99033-0004.

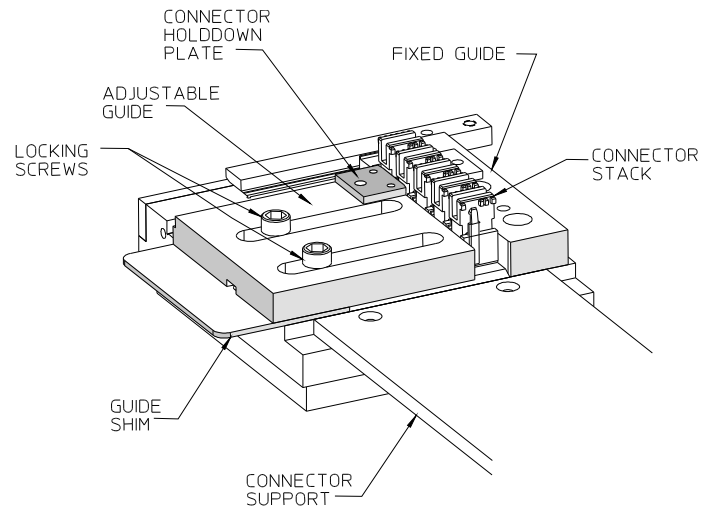


Figure 2-2  
SETTING THE CONNECTOR GUIDE

### 2.2.2 Adjusting for Connector Size

The Rast 5 connectors come in various circuit sizes from 1 to 12, and also in five types, two (2) of which (90835 and 91247 Series) are 16A connectors and are slightly taller and require the removal of a shim. See Section 2.2.3 for details. Adjusting for circuit size is as follows:

1. Place a stack of connectors of the correct size on the connector support and slide it forward until it is between the adjustable guide block and the fixed guide block.
2. Push it up against the fixed guide block.
3. Loosen the two (2) locking screws (See Figure 2-2).
4. Slide the adjustable guide block toward the connector until the connector stack can be slid between the guides with no noticeable side play. The connector holddown plates on both sides should be in far enough that they hold the

connectors from moving up but not enough to interfere with horizontal movement.

**NOTE:** The guide shim should stay all the way in unless 90835 or 91247 series connectors are being run, See Section 2.2.3

5. Tighten the locking screws.

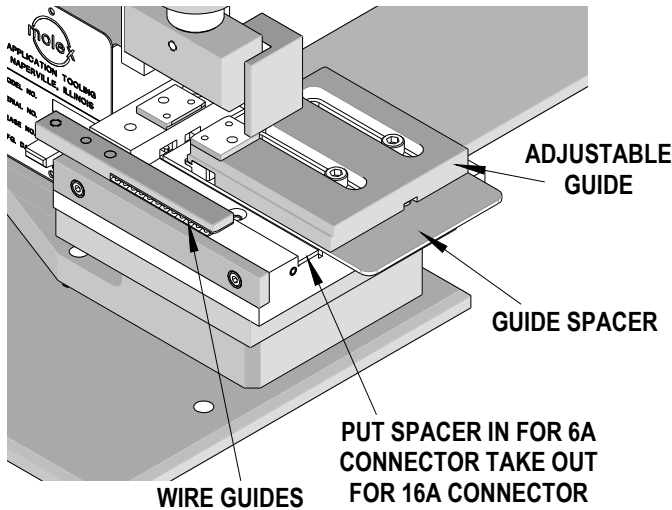


Figure 2-3

### 2.2.3 Changing To or From The 16 AMP and The 6 AMP Connectors

The Rast 5 connectors come in two different ampere ratings 6 and 16 AMPS. The 16 AMP connectors (90835 91779 and 92000 series) are slightly taller than the 6 AMP connectors (90833, 90888, and 91338 series), therefore the tooling has to be adjusted to accommodate the different heights. That is done as follows:

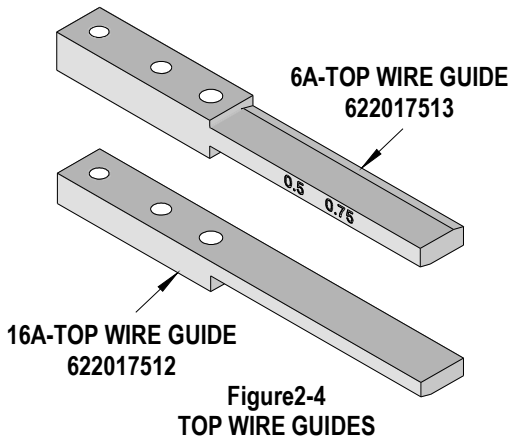


Figure 2-4  
TOP WIRE GUIDES

1. Loosen the two (2) adjustable guide locking screws (See Figure 2-2).
2. If changing to the larger 16A connectors, pull the guide shim out until it stops.
- OR** If changing to the smaller 6A connectors, push the shim in until it stops.
3. In the bottom of the groove in between the adjustable guide and the wire guides there is a plate that must be removed if 16A connectors are to be loaded or installed if changing to the 6A connectors. (See Figure 2-3.)
4. Adjust the adjustable guide per Section 2.2.2.
5. Tighten the locking screws.

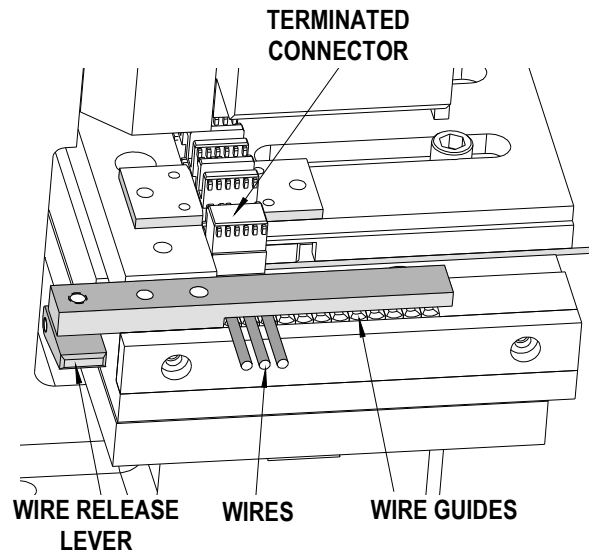


Figure 2-5  
CONNECTOR / WIRE ASSEMBLY  
READY TO BE REMOVED

### 2.2.4 Setup For Wire Size

There are two (2) wire top guides, one for 6A wire and one for 16A wire (See Figure 2-4). These must be changed depending on the wire being used.

1. Remove the hold-down screw.
2. Remove one part, put the other part in place and replace the screw.

**NOTE:** The 6A guide has two stops—one for .50mm<sup>2</sup> / .75mm<sup>2</sup> and one for .35mm<sup>2</sup> / .38mm<sup>2</sup>. Install the guide with the desired wire size marking facing the operator.

### 2.2.5 Adjusting the Wire Tension

It is necessary to make an adjustment to the wire stop when changing from one wire size to another. Refer to Figure 2-5.

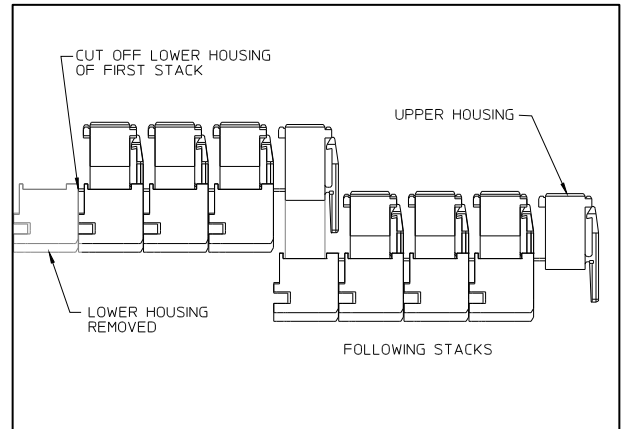
1. Turn the stop screw clockwise (CW) to decrease the tension or counterclockwise (CCW) to increase the tension applied to the wire. Adjust the tension so the wire can be pushed through the guides, into the connector, and held firmly in place upon release.

### 2.3 Operation

1. Load a stack of connectors in between the guide blocks as shown in Figure 2-2.
2. Push the connector stack forward until the first connector “clicks” into position (there are detents that prevent the connectors from backing up).
3. Load the wires individually by inserting them in the wire guides then pushing them through the holes in the connector and up against the stop (See Figure 2-4).
4. When the wires are loaded, cycle the press by pulling forward and down on the press lever. This will press the two halves of the connector

together terminating the wires and latching the connector halves together. It will also cut the connector from the stack.

5. Return the press lever to the up position.
6. Remove the connector and wire or cable assembly from the terminator by pressing down on the wire release lever to the left of the wire guides and sliding the assembly out to the right. (See Figure 2-5.) Reference sheet 4 of Application Specification #ES-990033-0004 to determine if termination is correct.



**Figure 2-6  
ADDING CONNECTOR STACKS**

## Section 3

- 3.1 Maintenance
- 3.2 Perishable Parts
- 3.3 Spare Parts
- 3.4 Troubleshooting

**CAUTION: Always disconnect power supply before all maintenance**

### 3.1 Maintenance

(See Chart below for maintenance scheduling,)

#### Cleaning

The Rast 5.0 Manual Terminator should be cleaned at least once a day with a soft brush to remove dust and debris.

**CAUTION: Using compressed air to clean the Terminator is not recommended as debris could become jammed in the tooling and/or come flying out at the operator.**

#### Lubrication

The press needs regular lubrication on a monthly basis. Place a small amount of lubricant with Teflon, such as Permatex "Superlube", on the sliding surfaces.

An example of a maintenance chart is shown below. Copy and use this chart to track the maintenance of your Terminator or use this as a template to create you own schedule or use your company's standard chart, if applicable.

#### Preventive Maintenance Chart

**Daily:** Clean. See Section 3.1.

**As Required:** Lubricate. See Section 3.1.

**CHECK SHEET** MONTH \_\_\_\_\_ YEAR \_\_\_\_\_

| Week  | Daily Cycles | Daily Clean | Days of the Week |     |     |     |     |     |     | Solution                        |
|---|--------------|-------------|------------------|-----|-----|-----|-----|-----|-----|---------------------------------|
|   |              |             | MON              | TUE | WED | THU | FRI | SAT | SUN |                                 |
| 1   |              |             |                  |     |     |     |     |     |     |                                 |
| 2   |              |             |                  |     |     |     |     |     |     |                                 |
| 3   |              |             |                  |     |     |     |     |     |     |                                 |
| 4   |              |             |                  |     |     |     |     |     |     |                                 |
| Cleaning<br>Reapply grease<br>Reapply oil       |              |             |                  |     |     |     |     |     |     | Soft Brush Industrial Degreaser |
| Inspect all tooling, feed fingers etc. for wear |              |             |                  |     |     |     |     |     |     | Replace if signs of wear.       |

Schedule should be adjusted up or down depending on usage. Molex recommends that a log of preventive maintenance be kept with the press.

### 3.2 Perishable Parts

Customers are responsible for maintaining this press. Perishable parts are those parts that come in contact with the product and will wear out over time. Molex recommends that all customers keep at least one set of the perishable tool kits in stock at all times. This will reduce the amount of production down time. These parts are identified in the Parts List in Section 4.

### 3.3 Spare Parts

Customers are responsible for maintaining this press. Spare parts are available. Moving and functioning parts can be damaged or wear out over time and will require replacement. Molex recommends that the customer keep some or all of them in stock to reduce production down time. These parts are identified in the Parts List. See Section 4.

### 3.4 Troubleshooting

| Symptom                                   | Cause  | Solution  |
|---|--|---|
| Termination height is too high / too low. | <ul style="list-style-type: none"> <li>▪ Termination punch height not set correctly</li> </ul> | Readjust the termination height. See Section 2.2.1. <i>Termination Height.</i>    |
| Wire not sliding easily into position     | <ul style="list-style-type: none"> <li>▪ Wire guide spring tension set too high</li> </ul>     | Readjust the spring tension, See Section 2.2.5 <i>Adjusting the Wire Tension.</i> |
|   | <ul style="list-style-type: none"> <li>▪ There is debris in the openings</li> </ul>            | Check both the tooling and the connector for debris and clean as required.        |
|   | <ul style="list-style-type: none"> <li>▪ Connector is partly closed.</li> </ul>                | Inspect the connector chain for damage.   |
| Wire not staying in position when loaded  | <ul style="list-style-type: none"> <li>▪ Wire guide spring tension set too low</li> </ul>      | Readjust the spring tension per Section 2.2.5 <i>Adjusting the Wire Tension.</i>  |

## Section 4

### 4.1 Parts Lists and Assembly Drawings



Parts List and Assembly Drawings (See Figure 4-1)

| Item No.   | Order No.  | Description                   | Qty |
|--|------------|-------------------------------|-----|
| 1  | 62201-7409 | Lever, Pivot                  | 1   |
| 2  | 62201-7412 | Base, Mounting                | 1   |
| 3  | 62201-7414 | Platform, Housing Load        | 1   |
| 4  | 62201-7420 | Shaft, Ram                    | 1   |
| 5  | 62201-7425 | Guard, Ram                    | 1   |
| 6  | 62201-7426 | Nameplate, Molex              | 1   |
| 7  | 62201-7427 | Plate, Base                   | 1   |
| 8  | 62201-7428 | Spacer, Locator               | 1   |
| 9  | 62201-7430 | Press, Toggle                 | 1   |
| 10   | 62201-7501 | Base, Tool                    | 1   |
| 11   | 62201-7502 | Blade, Cutoff <b>PP</b>       | 1   |
| 12   | 62201-7503 | Block, Ram                    | 1   |
| 13   | 62201-7504 | Guide, Right Housing          | 1   |
| 14   | 62201-7507 | Guide, Housing Front          | 1   |
| 15   | 62201-7508 | Guide, Left Housing           | 1   |
| 16   | 62201-7509 | Locator, Housing Right        | 1   |
| 17   | 62201-7510 | Locator, Housing Left         | 1   |
| 18   | 62201-7511 | Spacer, Housing (6 AMP)       | 1   |
| 19   | 62201-7512 | Guide, Top Wire (16 AMP)      | 1   |
| 20   | 62201-7513 | Guide, Top Wire (6 AMP)       | 1   |
| 21   | 62201-7514 | Guide, Wire <b>RSP</b>        | 12  |
| 22   | 62201-7516 | Hold-down, Spring             | 1   |
| 23   | 62201-7517 | Key, Shaft                    | 1   |
| 24   | 62201-7518 | Cover, Guide                  | 1   |
| 25   | 62201-7521 | Spacer, Right Guide           | 1   |
| 26   | 62201-7522 | Shaft, Pivot                  | 1   |
| 27   | 62201-7523 | Angle, Guard                  | 1   |
| 28   | 63600-0939 | Spring, Wire Guide <b>RSP</b> | 12  |
| 29   | 63600-0947 | Spring, Locator <b>RSP</b>    | 2   |
| 30   | 69808-1204 | Washer, Fender                | 2   |
| 31   | N/A        | M5 by 20 Long SHCS            | 2** |
| 32   | N/A        | M8 by 45 Long SHCS            | 1** |
| <b>RSP - Part is a Molex Recommended Spare Part.</b> |            |                               |     |
| <b>PP - Part is a Perishable Part.</b>               |            |                               |     |
|  |            |                               |     |

# Assembly

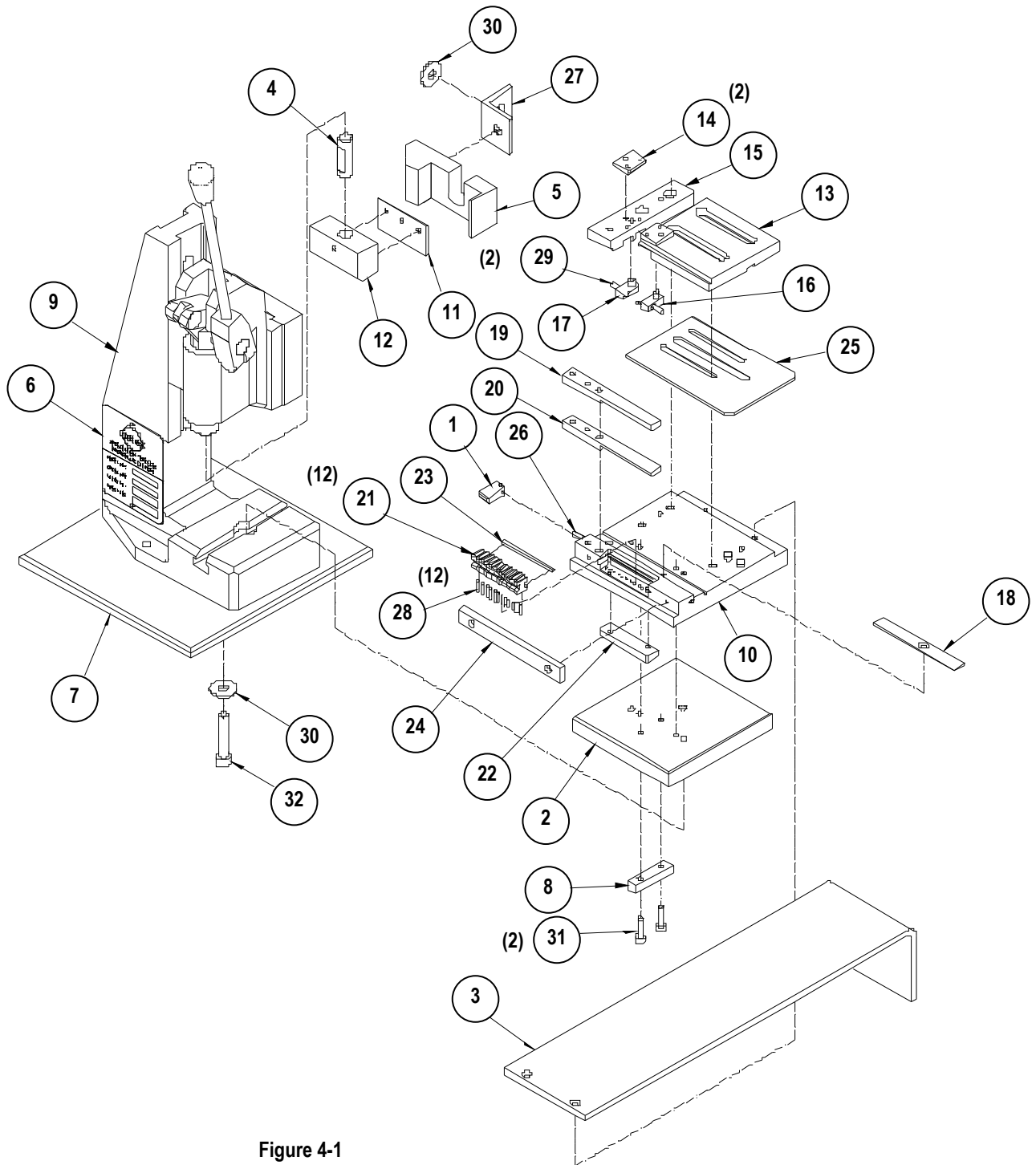


Figure 4-1

## Section 5

### 5.1 Connector Series Chart

Products: 5.00mm (.197") Pitch Appli-Mate™ RAST 5.0 IDT Connector Assemblies 1 thru 12 Circuits.

| Connector Series No. | Circuit Size | 4A<br>Connector Assembly Order No. |            |            |            |            |            |            |
|----------------------|--------------|------------------------------------|------------|------------|------------|------------|------------|------------|
|                      |              | 91954                              | 2          | 91954-0001 | 91954-0002 | 91954-0003 | 91954-0004 | 91954-0005 |
| 91954-0008           | 91954-0009   |                                    |            | 91954-0010 | 91954-0011 | 91954-0012 | 91954-0013 | 91954-0014 |
| 91954-0015           | 91954-0016   |                                    |            | 91954-0017 | 91954-0018 | 91954-0019 | 91954-0020 | 91954-0021 |
| 91954-0022           | 91954-0023   |                                    |            | 91954-0024 | 91954-0025 | 91954-0026 | 91954-0027 | 91954-0028 |
| 91954-0029           |              |                                    |            |            |            |            |            |            |
| 3                    | 91954-0100   |                                    | 91954-0101 | 91954-0102 | 91954-0103 | 91954-0104 | 91954-0105 | 91954-0106 |
|                      | 91954-0107   |                                    | 91954-0108 | 91954-0109 | 91954-0110 | 91954-0111 | 91954-0112 | 91954-0113 |
|                      | 91954-0114   |                                    | 91954-0115 | 91954-0116 | 91954-0117 | 91954-0118 | 91954-0119 | 91954-0120 |
|                      | 91954-0121   |                                    | 91954-0122 |            |            |            |            |            |
| 4                    | 91954-0201   |                                    | 91954-0202 | 91954-0203 | 91954-0204 | 91954-0205 | 91954-0206 | 91954-0207 |
|                      | 91954-0208   |                                    | 91954-0209 | 91954-0210 | 91954-0211 | 91954-0212 |            |            |
| 5                    | 91954-0301   |                                    | 91954-0302 | 91954-0303 | 91954-0304 | 91954-0305 | 91954-0306 | 91954-0307 |
|                      | 91954-0308   |                                    | 91954-0309 | 91954-0310 | 91954-0311 | 91954-0312 | 91954-0313 | 91954-0314 |
| 6                    | 91954-0401   |                                    | 91954-0402 | 91954-0403 | 91954-0404 | 91954-0405 | 91954-0406 | 91954-0407 |
|                      | 91954-0408   |                                    | 91954-0409 |            |            |            |            |            |
| 7                    | 91954-0501   |                                    | 91954-0502 | 91954-0503 | 91954-0504 | 91954-0505 | 91954-0506 | 91954-0507 |
|                      | 91954-0508   |                                    | 91954-0509 |            |            |            |            |            |
| 8                    | 91954-0601   |                                    | 91954-0602 | 91954-0603 | 91954-0604 | 91954-0605 | 91954-0606 | 91954-0607 |
|                      | 91954-0608   |                                    |            |            |            |            |            |            |
| 9                    | 91954-0701   |                                    | 91954-0702 | 91954-0703 | 91954-0704 | 91954-0705 | 91954-0706 |            |
| 10                   | 91954-0801   |                                    | 91954-0802 | 91954-0803 | 91954-0804 | 91954-0805 | 91954-0806 | 91954-0807 |
|                      | 91954-0808   |                                    | 91954-0809 |            |            |            |            |            |
| 11                   | 91954-0901   |                                    | 91954-0902 |            |            |            |            |            |
| 12                   | 91954-1001   |                                    | 91954-1002 |            |            |            |            |            |

| Connector Series No. | Circuit Size | 6A<br>Connector Assembly Order No. |            |            |            |            |            |            |
|----------------------|--------------|------------------------------------|------------|------------|------------|------------|------------|------------|
|                      |              | 90833                              | 2          | 90833-0001 | 90833-0002 | 90833-0003 | 90833-0004 | 90833-0005 |
| 90833-0008           | 90833-0009   |                                    |            | 90833-0010 | 90833-0011 | 90833-0012 | 90833-0013 | 90833-0014 |
| 90833-0015           | 90833-0016   |                                    |            | 90833-0017 | 90833-0018 | 90833-0019 | 90833-0020 | 90833-0021 |
| 90833-0022           | 90833-0025   |                                    |            | 90833-0026 | 90833-0027 | 90833-0028 | 90833-0032 | 90833-0047 |
| 90833-0048           | 90833-0050   |                                    |            | 90833-0051 | 90833-0052 | 90833-0053 | 90833-0054 | 90833-0056 |
| 90833-0057           | 90833-0058   |                                    |            | 90833-0059 | 90833-0060 | 90833-0061 | 90833-0062 | 90833-0063 |
| 90833-0064           | 90833-0065   |                                    |            | 90833-0066 | 90833-0069 | 90833-0070 | 90833-0071 | 90833-0072 |
| 90833-0073           | 90833-0074   |                                    |            |            |            |            |            |            |
| 3                    | 90833-0500   |                                    | 90833-0501 | 90833-0502 | 90833-0503 | 90833-0504 | 90833-0505 | 90833-0506 |
|                      | 90833-0507   |                                    | 90833-0508 | 90833-0509 | 90833-0510 | 90833-0511 | 90833-0513 | 90833-0524 |
|                      | 90833-0526   |                                    | 90833-0528 | 90833-0529 | 90833-0530 | 90833-0531 | 90833-0532 | 90833-0533 |
|                      | 90833-0534   |                                    | 90833-0535 | 90833-0536 | 90833-0537 | 90833-0538 | 90833-0539 | 90833-0540 |
|                      | 90833-0541   |                                    | 90833-0542 |            |            |            |            |            |
| 4                    | 90833-1251   |                                    | 90833-1252 | 90833-1253 | 90833-1254 | 90833-1255 | 90833-1256 | 90833-1257 |
|                      | 90833-1258   |                                    | 90833-1259 | 90833-1260 | 90833-1261 | 90833-1262 | 90833-1264 | 90833-1267 |
|                      | 90833-1271   |                                    | 90833-1272 | 90833-1273 | 90833-1276 | 90833-1277 | 90833-1279 | 90833-1282 |
|                      | 90833-1283   |                                    | 90833-1284 |            |            |            |            |            |
| 5                    | 90833-2001   |                                    | 90833-2002 | 90833-2006 | 90833-2007 | 90833-2008 | 90833-2010 | 90833-2011 |

| Connector Series No. | Circuit Size | 6A<br>Connector Assembly Order No. |            |            |            |            |            |            |
|----------------------|--------------|------------------------------------|------------|------------|------------|------------|------------|------------|
|                      |              | 90833                              | 5          | 90833-2012 | 90833-2019 | 90833-2023 | 90833-2024 | 90833-2025 |
|                      |              | 90833-2028                         | 90833-2029 |            |            |            |            |            |
|                      | 6            | 90833-2750                         | 90833-2751 | 90833-2752 | 90833-2764 | 90833-2765 | 90833-2773 | 90833-2776 |
|                      |              | 90833-2777                         | 90833-2778 | 90833-2779 | 90833-2780 | 90833-2781 |            |            |
|                      | 7            | 90833-3500                         | 90833-3501 | 90833-3502 | 90833-3503 | 90833-3513 | 90833-3514 | 90833-3518 |
|                      |              | 90833-3520                         | 90833-3521 | 90833-3522 | 90833-3523 | 90833-3524 |            |            |
|                      | 8            | 90833-4250                         | 90833-4251 | 90833-4254 | 90833-4255 | 90833-4256 | 90833-4261 | 90833-4264 |
|                      |              | 90833-4266                         |            |            |            |            |            |            |
|                      | 9            | 90833-5000                         | 90833-5001 | 90833-5004 | 90833-5010 | 90833-5012 |            |            |
|                      | 10           | 90833-6000                         | 90833-6001 | 90833-6005 | 90833-6006 | 90833-6007 | 90833-6008 | 90833-6023 |
|                      |              | 90833-6024                         | 90833-6025 |            |            |            |            |            |
|                      | 11           | 90833-7000                         | 90833-7001 |            |            |            |            |            |
|                      | 12           | 90833-8000                         | 90833-8001 |            |            |            |            |            |
| 90888                | 2            | 90888-0001                         | 90888-0003 | 90888-0005 | 90888-0006 | 90888-0011 | 90888-0023 | 90888-0024 |
|                      |              | 90888-0028                         | 90888-0031 | 90888-0033 | 90888-0034 |            |            |            |
| 91338                | 1            | 91338-0102                         | 91338-0103 | 91338-0104 | 91338-0105 | 91338-0403 | 91338-0501 | 91338-0507 |
|                      |              | 91338-0601                         | 91338-0607 | 91338-0700 | 91338-0801 | 91338-3102 | 91338-3103 | 91338-3104 |
|                      |              | 91338-3105                         | 91338-3403 | 91338-3501 | 91338-3507 | 91338-3601 | 91338-3607 | 91338-3700 |
|                      |              | 91338-3801                         |            |            |            |            |            |            |
| 91777                | 1            | 91777-0102                         | 91777-0103 | 91777-0104 | 91777-0105 | 91777-0106 | 91777-0107 | 91777-3102 |
|                      |              | 91777-3103                         | 91777-3104 | 91777-3105 | 91777-3106 | 91777-3107 |            |            |
| 91778                | 2            | 91778-0001                         | 91778-0002 | 91778-0003 | 91778-0004 | 91778-0005 | 91778-0006 | 91778-0007 |
|                      |              | 91778-0008                         | 91778-0009 | 91778-0010 | 91778-0011 | 91778-0012 | 91778-0013 | 91778-0014 |
|                      |              | 91778-0015                         | 91778-0016 | 91778-0017 | 91778-0018 | 91778-0019 | 91778-0020 | 91778-0021 |
|                      |              | 91778-0022                         | 91778-0023 | 91778-0024 | 91778-0025 | 91778-0026 | 91778-0027 | 91778-0028 |
|                      |              | 91778-0029                         | 91778-0030 |            |            |            |            |            |
|                      | 3            | 91778-0101                         | 91778-0102 | 91778-0103 | 91778-0104 | 91778-0105 | 91778-0106 | 91778-0107 |
|                      |              | 91778-0108                         | 91778-0109 | 91778-0110 | 91778-0111 | 91778-0112 | 91778-0113 | 91778-0114 |
|                      |              | 91778-0115                         | 91778-0116 | 91778-0117 | 91778-0118 | 91778-0119 | 91778-0120 | 91778-0121 |
|                      |              | 91778-0122                         | 91778-0123 | 91778-0124 | 91778-0125 | 91778-0126 |            |            |
|                      | 4            | 91778-0201                         | 91778-0202 | 91778-0203 | 91778-0204 | 91778-0205 | 91778-0206 | 91778-0207 |
|                      |              | 91778-0208                         | 91778-0209 | 91778-0210 | 91778-0211 | 91778-0212 |            |            |
|                      | 5            | 91778-0301                         | 91778-0302 | 91778-0303 | 91778-0304 | 91778-0305 | 91778-0306 | 91778-0307 |
|                      |              | 91778-0308                         | 91778-0309 | 91778-0310 | 91778-0311 | 91778-0312 | 91778-0313 | 91778-0314 |
|                      | 6            | 91778-0401                         | 91778-0402 | 91778-0403 | 91778-0404 | 91778-0405 | 91778-0406 | 91778-0407 |
|                      |              | 91778-0408                         | 91778-0409 |            |            |            |            |            |
|                      | 7            | 91778-0501                         | 91778-0502 | 91778-0503 | 91778-0504 | 91778-0505 | 91778-0506 | 91778-0507 |
|                      |              | 91778-0508                         | 91778-0509 | 91778-0510 | 91778-0511 | 91778-0512 |            |            |
|                      | 8            | 91778-0601                         | 91778-0602 | 91778-0603 | 91778-0604 | 91778-0605 | 91778-0606 | 91778-0607 |
|                      |              | 91778-0608                         | 917780609  |            |            |            |            |            |
|                      | 9            | 91778-0701                         | 91778-0702 | 91778-0703 | 91778-0704 | 91778-0705 | 91778-0706 | 91778-0707 |
|                      |              | 91778-0708                         | 91778-0709 |            |            |            |            |            |
|                      | 10           | 91778-0801                         | 91778-0802 | 91778-0803 | 91778-0804 | 91778-0805 | 91778-0806 | 91778-0807 |
|                      |              | 91778-0808                         | 91778-0809 |            |            |            |            |            |
|                      | 11           | 91778-0901                         | 91778-0902 |            |            |            |            |            |
|                      | 12           | 91778-1001                         | 91778-1002 |            |            |            |            |            |

| Connector Series No. | Circuit Size | 16A<br>Connector Assembly Order No. |            |            |            |            |            |            |
|----------------------|--------------|-------------------------------------|------------|------------|------------|------------|------------|------------|
|                      |              | 90835                               | 2          | 90835-0001 | 90835-0003 | 90835-0019 | 90835-0034 | 90835-0035 |
| 90835-0038           | 90835-0039   |                                     |            | 90835-0040 | 90835-0041 | 90835-0042 | 90835-0043 | 90835-0044 |
| 90835-0045           | 90835-0046   |                                     |            | 90835-0047 | 90835-0048 | 90835-0057 | 90835-0058 |            |
| 90835-9001           | 90835-9002   |                                     |            | 90835-9003 | 90835-9004 | 90835-9005 | 90835-9006 |            |
| 3                    | 90835-0500   |                                     | 90835-0501 | 90835-0502 | 90835-0518 | 90835-0519 | 90835-0520 | 90835-0521 |
|                      | 90835-0522   |                                     | 90835-0523 | 90835-0534 | 90835-0536 | 90835-0537 |            |            |
| 3                    | 90835-9021   |                                     | 90835-9022 | 90835-9023 | 90835-9024 | 90835-9025 | 90835-9026 | 90835-9027 |
| 4                    | 90835-1251   |                                     | 90835-1254 | 90835-1268 | 90835-1269 | 90835-1273 | 90835-1281 | 90835-1283 |
|                      | 90835-1284   | 90835-1285                          | 90835-9101 | 90835-9102 | 90835-9103 | 90835-9104 |            |            |
| 91779                | 2            | 91779-0001                          | 91779-0002 | 91779-0003 | 91779-0004 | 91779-0005 | 91779-0006 | 917790007  |
|                      |              | 91779-0008                          | 91779-0009 | 91779-0010 | 91779-0019 |            |            |            |
|                      |              | 91779-9001                          | 91779-9002 | 91779-9003 | 91779-9004 |            |            |            |
|                      | 3            | 91779-0101                          | 91779-0102 | 91779-0103 | 91779-0104 | 91779-0105 | 91779-0106 | 91779-0107 |
|                      |              | 91779-0108                          | 91779-0109 | 91779-0110 | 91779-0111 | 91779-0112 | 91779-0113 | 91779-0114 |
|                      |              | 91779-0115                          | 91779-0116 | 91779-9101 | 91779-9102 | 91779-9103 | 91779-9104 | 91779-9105 |
|                      |              | 91779-9106                          | 91779-9201 | 91779-9202 | 91779-9203 | 91779-9204 | 91779-9205 | 91779-9206 |
|                      | 4            | 91779-0201                          | 91779-0202 | 91779-0203 | 91779-0204 | 91779-0205 | 91779-0206 |            |
| 92000                | 2            | 92000-0001                          | 92000-0002 | 92000-0003 | 92000-0004 | 92000-0005 | 92000-0006 | 92000-0007 |
|                      | 3            | 92000-0101                          | 92000-0102 | 92000-0103 | 92000-0104 | 92000-0105 | 92000-0106 | 92000-0107 |
|                      |              | 92000-0108                          |            |            |            |            |            |            |
|                      | 4            | 92000-0201                          | 92000-0202 | 92000-0203 | 92000-0204 |            |            |            |

**Americas Headquarters**  
 Lisle, Illinois 60532 U.S.A.  
 1-800-78MOLEX  
 amerinfo@molex.com

**Far East North Headquarters**  
 Yamato, Kanagawa, Japan  
 81-462-65-2324  
 feninfo@molex.com

**Far East South Headquarters**  
 Jurong, Singapore  
 65-6-268-6868  
 fesinfo@molex.com

**European Headquarters**  
 Munich, Germany  
 49-89-413092-0  
 eurinfo@molex.com

**Corporate Headquarters**  
 2222 Wellington Ct.  
 Lisle, IL 60532 U.S.A.  
 630-969-4550  
 Fax: 630-969-1352

Visit our Web site at <http://www.molex.com>