



Chipsmall Limited consists of a professional team with an average of over 10 year of expertise in the distribution of electronic components. Based in Hongkong, we have already established firm and mutual-benefit business relationships with customers from,Europe,America and south Asia,supplying obsolete and hard-to-find components to meet their specific needs.

With the principle of "Quality Parts,Customers Priority,Honest Operation,and Considerate Service",our business mainly focus on the distribution of electronic components. Line cards we deal with include Microchip,ALPS,ROHM,Xilinx,Pulse,ON,Everlight and Freescale. Main products comprise IC,Modules,Potentiometer,IC Socket,Relay,Connector.Our parts cover such applications as commercial,industrial, and automotives areas.

We are looking forward to setting up business relationship with you and hope to provide you with the best service and solution. Let us make a better world for our industry!



Contact us

Tel: +86-755-8981 8866 Fax: +86-755-8427 6832

Email & Skype: info@chipsmall.com Web: www.chipsmall.com

Address: A1208, Overseas Decoration Building, #122 Zhenhua RD., Futian, Shenzhen, China



PLEASE CHECK WWW.MOLEX.COM FOR LATEST PART INFORMATION

Part Number: [62201-8813](#)
Status: **Active**
Description: Impact™ 85 Ohm Backplane Press-In Tool

Documents:
[RoHS Certificate of Compliance \(PDF\)](#)

General

Product Family	Application Tooling
Series	T3002
Comments	See Tooling Specification (PDF) Above
Function	Insertion
Geographic Area	Global
Level of Automation	Manual
More Detailed Tech Information	applicationtooling@molex.com
Product Name	Impact™
Survey	www.molex.com//review/apptool_survey.html
Tool Type	Handtool
UPC	884982621824

Material Info

Reference - Drawing Numbers

Application Tooling Documents ATS-622018813, TM-622018799

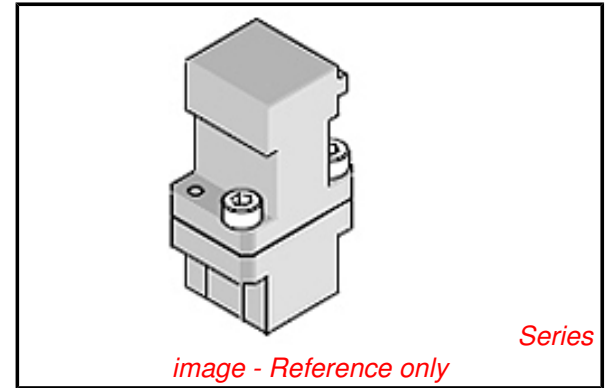


image - Reference only

EU RoHS

**ELV and RoHS
Compliant**

REACH SVHC

Not Reviewed

Low-Halogen Status

Not Reviewed

China RoHS



**Need more information on product
environmental compliance?**

Email productcompliance@molex.com
 For a multiple part number RoHS Certificate of
 Compliance, [click here](#)

Please visit the [Contact Us](#) section for any
 non-product compliance questions.

Search Parts in this Series

[T3002Series](#)

Use With

170525 Impact™ 85 Ohm Backplane
 Assembly, 3-Pair by 10 Column Assemblies

Application Tooling | **FAQ**
Description | **Product #**

Impact™ 85 Ohm Plus 3 Pair Vertical Backplane Header, 1.90 by 1.35mm Pitch, Unguided, Open Endwalls, 10 Columns, 96 Circuits, Pin Length 5.50mm, Plated Through Hole Dimension 0.46mm, Lead Free	1705251105
Impact™ 85 Ohm Plus 3 Pair Vertical Backplane Header, 1.90 by 1.35mm Pitch, Unguided,	1705251107

Open Endwalls, 10
Columns, 96 Circuits,
Pin Length 4.90mm,
Plated Through Hole
Dimension 0.39mm,
Lead Free
Impact™ 85 Ohm 1705251108
Plus 3 Pair Vertical
Backplane Header,
1.90 by 1.35mm
Pitch, Unguided,
Open Endwalls, 10
Columns, 96 Circuits,
Pin Length 5.50mm,
Plated Through Hole
Dimension 0.39mm,
Lead Free
Impact™ 85 Ohm 1705251117
Plus 3 Pair Vertical
Backplane Header,
1.90 by 1.35mm
Pitch, Unguided,
Left Endwall, 10
Columns, 96 Circuits,
Pin Length 4.90mm,
Plated Through Hole
Dimension 0.39mm,
Lead Free
Impact™ 85 Ohm 1705255107
Plus 3 Pair Vertical
Backplane Header,
1.90 by 1.35mm
Pitch, Right Guide,
Open Endwall, 10
Columns, 96 Circuits,
Pin Length 4.90mm,
Plated Through Hole
Dimension 0.39mm,
Lead Free
Impact™ 85 Ohm 1705255117
Plus 3 Pair Vertical
Backplane Header,
1.90 by 1.35mm
Pitch, Right Guide,
Open Endwall, 10
Columns, 96 Circuits,
Pin Length 4.90mm,
Plated Through Hole
Dimension 0.39mm,
Keying Orientation A,
Lead Free

This document was generated on 03/08/2013

PLEASE CHECK WWW.MOLEX.COM FOR LATEST PART INFORMATION