



Chipsmall Limited consists of a professional team with an average of over 10 year of expertise in the distribution of electronic components. Based in Hongkong, we have already established firm and mutual-benefit business relationships with customers from,Europe,America and south Asia,supplying obsolete and hard-to-find components to meet their specific needs.

With the principle of “Quality Parts,Customers Priority,Honest Operation,and Considerate Service”,our business mainly focus on the distribution of electronic components. Line cards we deal with include Microchip,ALPS,ROHM,Xilinx,Pulse,ON,Everlight and Freescale. Main products comprise IC,Modules,Potentiometer,IC Socket,Relay,Connector.Our parts cover such applications as commercial,industrial, and automotives areas.

We are looking forward to setting up business relationship with you and hope to provide you with the best service and solution. Let us make a better world for our industry!



Contact us

Tel: +86-755-8981 8866 Fax: +86-755-8427 6832

Email & Skype: info@chipsmall.com Web: www.chipsmall.com

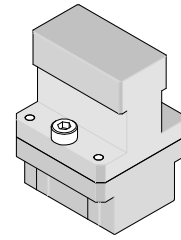
Address: A1208, Overseas Decoration Building, #122 Zhenhua RD., Futian, Shenzhen, China



**Impact™
Backplane
Module Installation
Press-In Tool**

molex

**Application Tooling
Specification Sheet**



Order No. 62201-8833

FEATURES

- Polarized tool prevents product damage
- Tool provides uniform distribution of press force across entire pin array
- May be used as a stand-alone tool or mounted in an optional holder with other Molex press-in tools

SCOPE

Products: Impact™ Backplane Signal Module Assembly, 4-Pair by 12 Column 85 Ohm Assemblies. See Product List below for specific part numbers.

Product List

The following is a partial list of the product order numbers and their specifications this tool is designed to run. Updates to this list are available on www.molex.com.

Series No.	Guide Style	Columns	Assembly Order Number					
170335	Unguided	12	170335-1203	170335-1204	170335-1205	170335-1206	170335-1207	170335-1208
			170335-1213	170335-1214	170335-1215	170335-1216	170335-1217	170335-1218
			170335-1223	170335-1224	170335-1225	170335-1226	170335-1227	170335-1228
			170335-1233	170335-1234	170335-1235	170335-1236	170335-1237	170335-1238
	Left	12	170335-3203	170335-3204	170335-3205	170335-3206	170335-3207	170335-3208
			170335-3213	170335-3214	170335-3215	170335-3216	170335-3217	170335-3218
			170335-3223	170335-3224	170335-3225	170335-3226	170335-3227	170335-3228
			170335-3233	170335-3234	170335-3235	170335-3236	170335-3237	170335-3238
			170335-3243	170335-3244	170335-3245	170335-3246	170335-3247	170335-3248
			170335-3253	170335-3254	170335-3255	170335-3256	170335-3257	170335-3258
			170335-3263	170335-3264	170335-3265	170335-3266	170335-3267	170335-3268
			170335-3273	170335-3274	170335-3275	170335-3276	170335-3277	170335-3278
			170335-3283	170335-3284	170335-3285	170335-3286	170335-3287	170335-3288
			170335-7203	170335-7204	170335-7205	170335-7206	170335-7207	170335-7208
			170335-7213	170335-7214	170335-7215	170335-7216	170335-7217	170335-7218
			170335-7223	170335-7224	170335-7225	170335-7226	170335-7227	170335-7228
			170335-7233	170335-7234	170335-7235	170335-7236	170335-7237	170335-7238
			170335-7243	170335-7244	170335-7245	170335-7246	170335-7247	170335-7248
			170335-7253	170335-7254	170335-7255	170335-7256	170335-7257	170335-7258
			170335-7263	170335-7264	170335-7265	170335-7266	170335-7267	170335-7268
	170335-7273	170335-7274	170335-7275	170335-7276	170335-7277	170335-7278		
	170335-7283	170335-7284	170335-7285	170335-7286	170335-7287	170335-7288		
	Right	12	170335-5203	170335-5204	170335-5205	170335-5206	170335-5207	170335-5208
			170335-5213	170335-5214	170335-5215	170335-5216	170335-5217	170335-5218
			170335-5223	170335-5224	170335-5225	170335-5226	170335-5227	170335-5228
			170335-5233	170335-5234	170335-5235	170335-5236	170335-5237	170335-5238
			170335-5243	170335-5244	170335-5245	170335-5246	170335-5247	170335-5248
			170335-5253	170335-5254	170335-5255	170335-5256	170335-5257	170335-5258
			170335-5263	170335-5264	170335-5265	170335-5266	170335-5267	170335-5268
			170335-5273	170335-5274	170335-5275	170335-5276	170335-5277	170335-5278
			170335-5283	170335-5284	170335-5285	170335-5286	170335-5287	170335-5288

Series No.	Guide Style	Columns	Assembly Order Number							
170335	Right	12	170335-9203	170335-9204	170335-9205	170335-9206	170335-9207	170335-9208		
			170335-9213	170335-9214	170335-9215	170335-9216	170335-9217	170335-9218		
			170335-9223	170335-9224	170335-9225	170335-9226	170335-9227	170335-9228		
			170335-9233	170335-9234	170335-9235	170335-9236	170335-9237	170335-9238		
			170335-9243	170335-9244	170335-9245	170335-9246	170335-9247	170335-9248		
			170335-9253	170335-9254	170335-9255	170335-9256	170335-9257	170335-9258		
			170335-9263	170335-9264	170335-9265	170335-9266	170335-9267	170335-9268		
			170335-9273	170335-9274	170335-9275	170335-9276	170335-9277	170335-9278		
170515	Unguided	12	170515-1203	170515-1204	170515-1205	170515-1206	170515-1207	170515-1208		
			170515-1213	170515-1214	170515-1215	170515-1216	170515-1217	170515-1218		
			170515-1223	170515-1224	170515-1225	170515-1226	170515-1227	170515-1228		
			170515-1233	170515-1234	170515-1235	170515-1236	170515-1237	170515-1238		
	Left	12	170515-3203	170515-3204	170515-3205	170515-3206	170515-3207	170515-3208		
			170515-3213	170515-3214	170515-3215	170515-3216	170515-3217	170515-3218		
			170515-3223	170515-3224	170515-3225	170515-3226	170515-3227	170515-3228		
			170515-3233	170515-3234	170515-3235	170515-3236	170515-3237	170515-3238		
			170515-3243	170515-3244	170515-3245	170515-3246	170515-3247	170515-3248		
			170515-3253	170515-3254	170515-3255	170515-3256	170515-3257	170515-3258		
			170515-3263	170515-3264	170515-3265	170515-3266	170515-3267	170515-3268		
			170515-3273	170515-3274	170515-3275	170515-3276	170515-3277	170515-3278		
			170515-3283	170515-3284	170515-3285	170515-3286	170515-3287	170515-3288		
			170515-7203	170515-7204	170515-7205	170515-7206	170515-7207	170515-7208		
			170515-7213	170515-7214	170515-7215	170515-7216	170515-7217	170515-7218		
			170515-7223	170515-7224	170515-7225	170515-7226	170515-7227	170515-7228		
			170515-7233	170515-7234	170515-7235	170515-7236	170515-7237	170515-7238		
			170515-7243	170515-7244	170515-7245	170515-7246	170515-7247	170515-7248		
			170515-7253	170515-7254	170515-7255	170515-7256	170515-7257	170515-7258		
			170515-7263	170515-7264	170515-7265	170515-7266	170515-7267	170515-7268		
			170515-7273	170515-7274	170515-7275	170515-7276	170515-7277	170515-7278		
			170515-7283	170515-7284	170515-7285	170515-7286	170515-7287	170515-7288		
			Right	12	170515-5203	170515-5204	170515-5205	170515-5206	170515-5207	170515-5208
					170515-5213	170515-5214	170515-5215	170515-5216	170515-5217	170515-5218
					170515-5223	170515-5224	170515-5225	170515-5226	170515-5227	170515-5228
					170515-5233	170515-5234	170515-5235	170515-5236	170515-5237	170515-5238
					170515-5243	170515-5244	170515-5245	170515-5246	170515-5247	170515-5248
					170515-5253	170515-5254	170515-5255	170515-5256	170515-5257	170515-5258
					170515-5263	170515-5264	170515-5265	170515-5266	170515-5267	170515-5268
					170515-5273	170515-5274	170515-5275	170515-5276	170515-5277	170515-5278
					170515-5283	170515-5284	170515-5285	170515-5286	170515-5287	170515-5288
					170515-9203	170515-9204	170515-9205	170515-9206	170515-9207	170515-9208
	170515-9213	170515-9214			170515-9215	170515-9216	170515-9217	170515-9218		
	170515-9223	170515-9224			170515-9225	170515-9226	170515-9227	170515-9228		
	170515-9233	170515-9234			170515-9235	170515-9236	170515-9237	170515-9238		
	170515-9243	170515-9244			170515-9245	170515-9246	170515-9247	170515-9248		
	170515-9253	170515-9254			170515-9255	170515-9256	170515-9257	170515-9258		
	170515-9263	170515-9264			170515-9265	170515-9266	170515-9267	170515-9268		
	170515-9273	170515-9274			170515-9275	170515-9276	170515-9277	170515-9278		
	170515-9283	170515-9284			170515-9285	170515-9286	170515-9287	170515-9288		

Tool Setup

Depending on the number of connectors to be installed and/or the press used, this tool can be used alone or with a group of press-in tools, mounted in a 62201-95XX rail (ordered separately). See Figure 1.

Tool Installation

The 62201-95XX rail is available in a variety of lengths to accommodate multiple press-in tools.

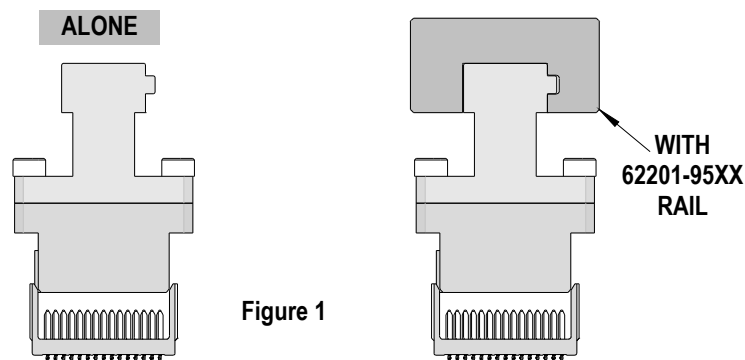


Figure 1

Rail Part Number	Rail Overall Length
62201-9501	24mm (0.94 in)
62201-9502	72mm (2.83 in)
62201-9503	156mm (6.14 in)
62201-9504	216mm (8.50 in)
62201-9509	254mm (10.0 in)
62201-9511	305mm (14.0 in)

Reference: This Press-In Tool is 22.6mm (0.89 in.) long.

Printed Circuit Board (PCB) Support

The Impact™ connectors require up to 3.6kg (8 lb) of force per pin to press into the PCB. To prevent excessive PCB flexure and/or damage to the PCB, a support plate is strongly recommended directly beneath the connector hole pattern.

Due to the custom nature of every application, Molex does not offer any PCB support plate. The customer must furnish their own support plate.

When creating the PCB support plate, remember to allow clearance for the connector pins as they pass through the PCB thickness.

Press Equipment Recommendations

Many types of presses can be used to install Impact™ connectors, but to assure consistent connector installation Molex recommends the following press criteria:

1. The capability to detect force variations as low as 4.5kg (10 lb) during the press-in cycle; excessive force measurements should stop the press-in cycle.
2. The rate of pressing can be regulated as low as 0.13mm (0.005 in) per second.
3. Press stroke control to within 0.25mm (0.010 in).
4. Total press stroke must be at least 19mm (0.75 in).
5. For statistical purposes, automatic collection of force and distance data.

Tool Operation

1. Insert by hand the backplane signal module assembly (s) carefully into the PCB hole pattern. Make sure the connector(s) are oriented properly by confirming the location of the #1 circuit notch with respect to the PCB layout.
2. Insert the Press-In Tool making sure that the notch in this tool is inserted into the slot on top of the connector housing of the backplane signal module assembly. See Figure 2.
3. Using the application tool and an appropriate press, seat the header assembly until there is less than 0.10mm (.004 in) clearance between the bottom of the plastic housing and the surface of the PCB. See Figure 3.

There should be no broken stand-offs along the perimeter of the part (an indication of over-pressing).

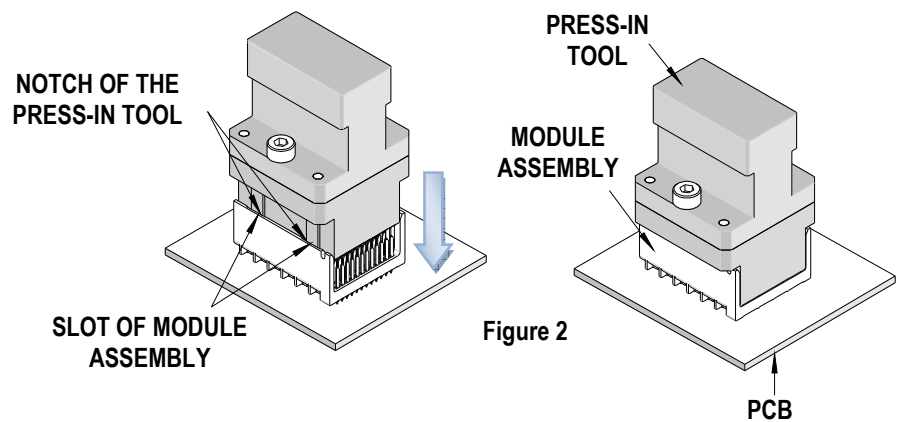


Figure 2

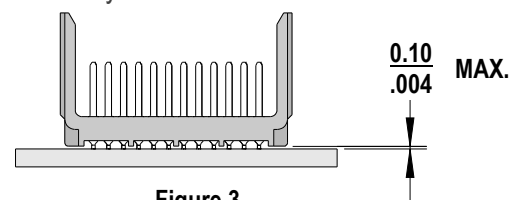


Figure 3

CAUTION: To prevent injury, never operate any press without the guards in place. Refer to the press manufacturer's instruction manual.

CAUTION: Molex application tooling specifications are valid only when used with Molex connectors and tooling.

Contact Information

For more information on Molex application tooling please contact Molex at 1-800-786-6539.

Visit our Web site at <http://www.molex.com>