



Chipsmall Limited consists of a professional team with an average of over 10 year of expertise in the distribution of electronic components. Based in Hongkong, we have already established firm and mutual-benefit business relationships with customers from,Europe,America and south Asia,supplying obsolete and hard-to-find components to meet their specific needs.

With the principle of “Quality Parts,Customers Priority,Honest Operation,and Considerate Service”,our business mainly focus on the distribution of electronic components. Line cards we deal with include Microchip,ALPS,ROHM,Xilinx,Pulse,ON,Everlight and Freescale. Main products comprise IC,Modules,Potentiometer,IC Socket,Relay,Connector.Our parts cover such applications as commercial,industrial, and automotives areas.

We are looking forward to setting up business relationship with you and hope to provide you with the best service and solution. Let us make a better world for our industry!



Contact us

Tel: +86-755-8981 8866 Fax: +86-755-8427 6832

Email & Skype: info@chipsmall.com Web: www.chipsmall.com

Address: A1208, Overseas Decoration Building, #122 Zhenhua RD., Futian, Shenzhen, China





VHDM RAM STIFFENER REMOVAL TOOL
Instruction Sheet
Part No. 62202-1000 and 62202-1100

Operation

The following describes the operation of the VHDM Ram Stiffener Removal Tool. See Figure 1.

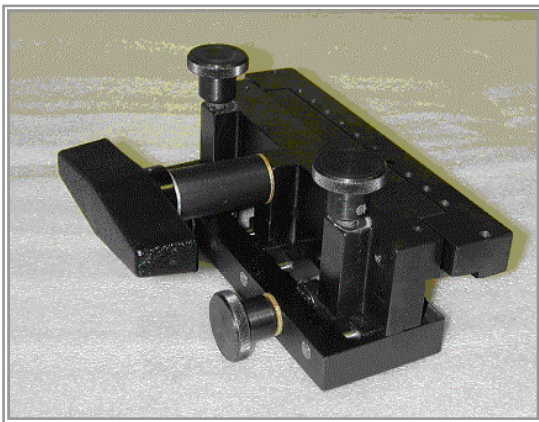


Figure 1

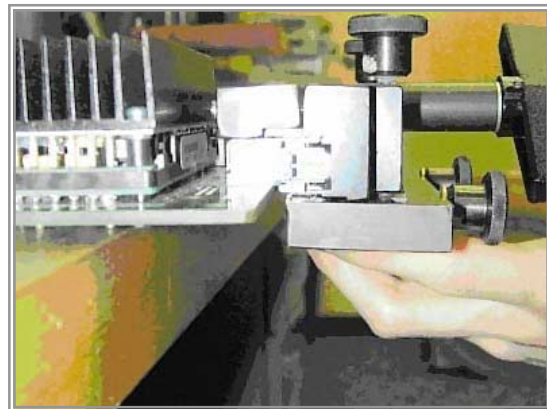


Figure 3

Before placing the tool onto the VHDM RAM connector, make sure that the upper and lower pin blocks are in the starting position. The upper block should be retracted and the two lower blocks should be extended. The clamp plate should be hanging loose on the tool as shown in Figure 2.

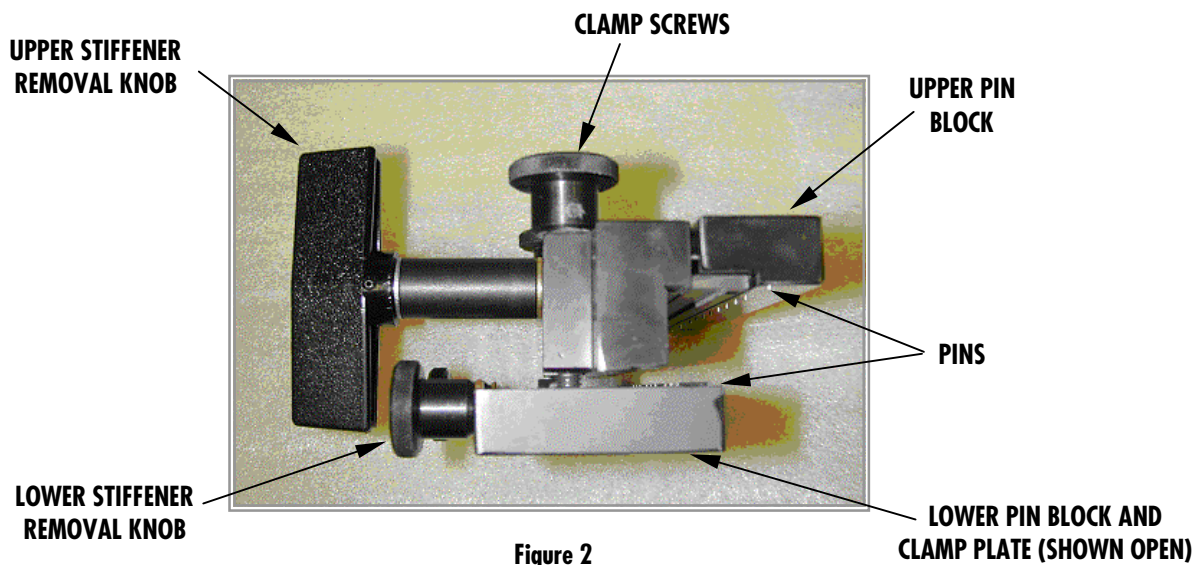


Figure 2

Slide the tool over the top of the VHDM Ram connector so the small removal pins locate into the pilot holes on the upper and lower stiffeners. Once the pins are engaged, turn the clamp screws clockwise to tighten the clamp plate to the bottom of the connector. See Figure 3.

Once the tool is firmly clamped on the connector, begin turning one of the two lower knobs a ¼ turn clockwise. Repeat this procedure by turning the second lower knob a ¼ turn clockwise. See Figure 4.

The lower stiffener should begin to separate from the wafer stack after the handles are turned one complete revolution clockwise. Continue to alternate between handles, giving each one a 1/4 turn, until the lower stiffener is completely removed from the wafer stack.

Next turn the large "T" shaped upper stiffener removal knob counter clockwise to remove the upper stiffener. The knob will turn to a positive stop. Once the stiffener is removed from the wafer stack, loosen the clamp knobs located on top of the tool. This will lower the clamp plate and release clamp force on the connector. See Figure 5.

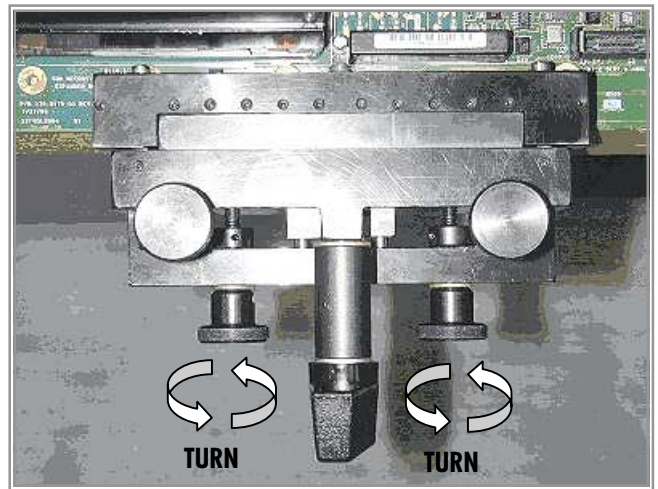


Figure 4

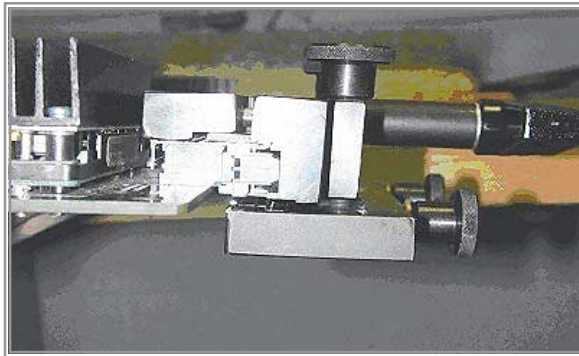


Figure 5

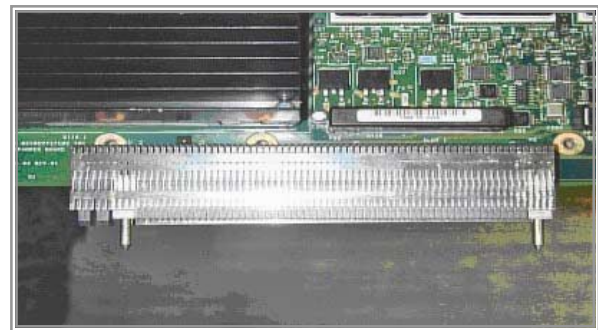


Figure 6

After the clamp plate is loose, rotate the front of the tool up to disengage the removal pins from the upper stiffener. Once the pins are free from the stiffener, carefully remove the tool from the connector. The stiffeners can now be completely removed by hand.

To reinstall the stiffeners, carefully place them on the wafer stack so the slots in each stiffener locate under the top hats of the wafers. Once located, press the stiffeners on by hand. Figure 6 shows the upper stiffener in position and ready to be seated.

To final seat the stiffeners, place the tool on the connector so the upper pins will locate in the upper stiffener holes and the lower pins push against the outside edge of the lower stiffener. Tighten the clamp screws on top of the tool to clamp the wafers. Begin turning one lower knob a ¼ turn counter clockwise and alternate between the lower knobs, giving each one a ¼ turn until the lower stiffener is in the seated position. Then turn the upper stiffener knob clockwise until the upper stiffener is seated.

Molex Application Tooling Group

1150 E. Diehl Road
 Naperville, IL 60563
 Tel: (630) 969-4550
 Fax: (630) 505-0049

Visit our Web site at <http://www.molex.com>