



Chipsmall Limited consists of a professional team with an average of over 10 year of expertise in the distribution of electronic components. Based in Hongkong, we have already established firm and mutual-benefit business relationships with customers from,Europe,America and south Asia,supplying obsolete and hard-to-find components to meet their specific needs.

With the principle of “Quality Parts,Customers Priority,Honest Operation,and Considerate Service”,our business mainly focus on the distribution of electronic components. Line cards we deal with include Microchip,ALPS,ROHM,Xilinx,Pulse,ON,Everlight and Freescale. Main products comprise IC,Modules,Potentiometer,IC Socket,Relay,Connector.Our parts cover such applications as commercial,industrial, and automotives areas.

We are looking forward to setting up business relationship with you and hope to provide you with the best service and solution. Let us make a better world for our industry!



Contact us

Tel: +86-755-8981 8866 Fax: +86-755-8427 6832

Email & Skype: info@chipsmall.com Web: www.chipsmall.com

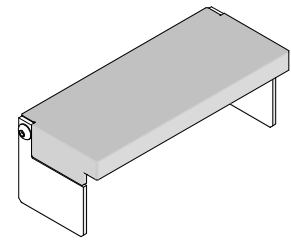
Address: A1208, Overseas Decoration Building, #122 Zhenhua RD., Futian, Shenzhen, China





**1GBE and 10GBE
2-by-6 Magnetic Jack
Insertion Tool**

**Application Tooling
Specification Sheet**



Order No. 62202-4420

FEATURES

- Lightweight tool used in the insertion of an ICM connector in a PCB
- Inserts connector to a PCB without damage to the board
- Use tool 62202-9870 and 62202-4440 for removing connectors

SCOPE

Products: 1GBE and 10GBE 2 by 6 Magnetic Jack assemblies with Press-fit Tails.

Connector Series No	Connector Order no.					
170721 (10GBE)	170721-0001	170721-0004	170721-0005	170721-0006	170721-0007	
	170721-0008	170721-0009	170721-0010	170721-0030	170721-0031	170721-0032
171002 (1GBE)	171002-1001	171002-2001	171002-3000	171002-3500		
171211 (1GBE)	171211-1001	171211-2001	171211-3000			
171615 (1GBE)	171615-3000	171615-3500				

Notes:

1. See the following pages for tooling operation instructions.
2. These tools require a “Keep Out Zone” around the connector free of components. The rear of the connector should be 2.0mm (0.08 in). The right and left sides should be 2.0mm (0.08 in). See Figure 1.

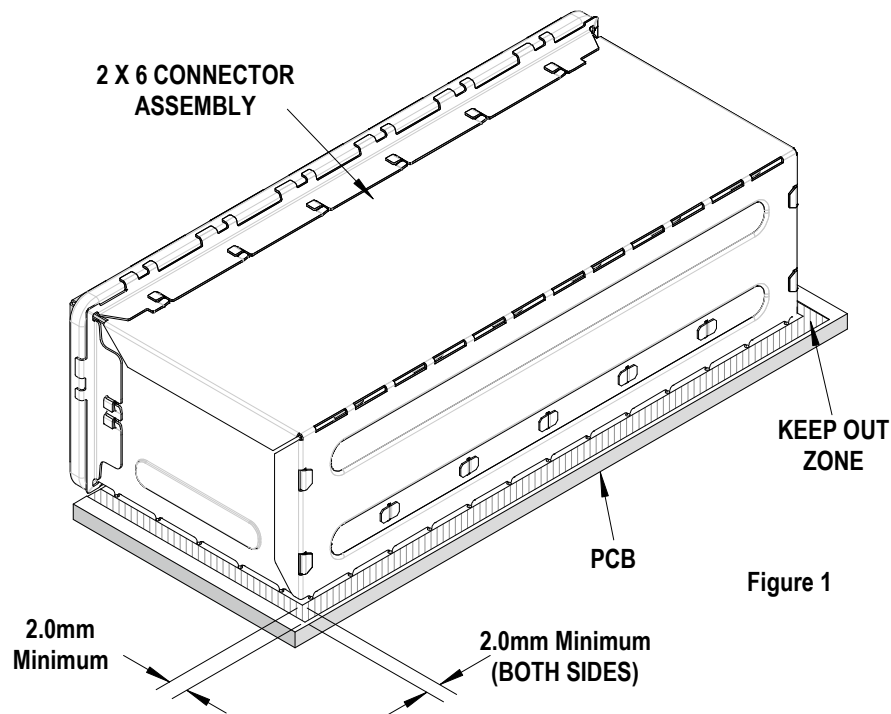
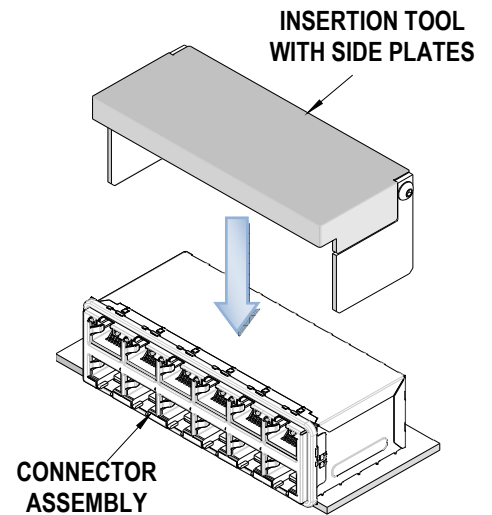


Figure 1

Operation

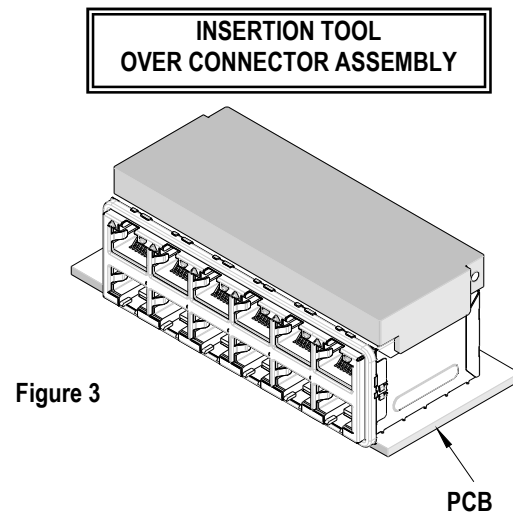
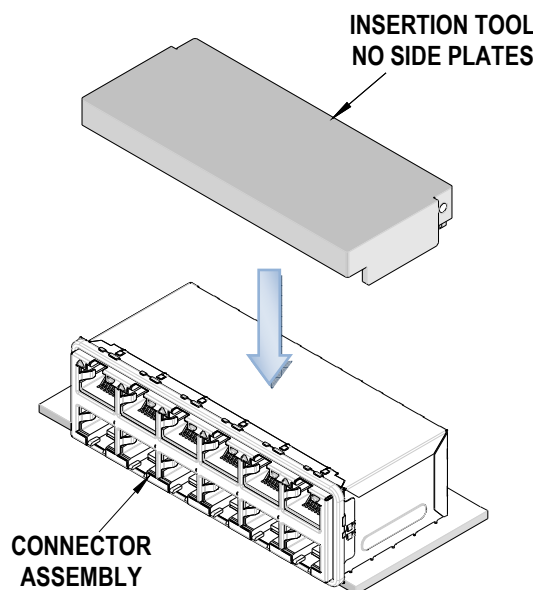
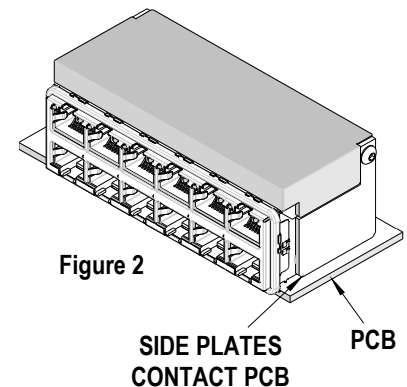
Option 1 (typically used with manual presses)

1. Place the connector assembly on the PCB. Make sure all pins are started in the PCB holes.
2. Place the tool on the connector assembly (closed end to the back end of the connector). See Figure 2.
3. Place tool, connector, and PCB in a press of suitable size and force and seat the connector assembly. The assembly is seated when the bottom of the side plates contacts the PCB. The PCB support (furnished by the customer) must have clearance for the connector pins if they come through the PCB.



Option 2 (typically used with automatic presses)

1. Place the connector assembly on the PCB. Make sure all pins are started in the PCB holes.
2. Place the tool (side plates removed) on the connector assembly (closed end to the back end of the connector). See Figure 3.
3. Place tool, connector, and PCB in a press of suitable size and force and seat the connector assembly. The assembly is seated when the press reaches its programmed shut height. The PCB support (furnished by the customer) must have clearance for the connector pins if they come through the PCB.



Visit our Web site at <http://www.molex.com>