



Chipsmall Limited consists of a professional team with an average of over 10 year of expertise in the distribution of electronic components. Based in Hongkong, we have already established firm and mutual-benefit business relationships with customers from,Europe,America and south Asia,supplying obsolete and hard-to-find components to meet their specific needs.

With the principle of “Quality Parts,Customers Priority,Honest Operation,and Considerate Service”,our business mainly focus on the distribution of electronic components. Line cards we deal with include Microchip,ALPS,ROHM,Xilinx,Pulse,ON,Everlight and Freescale. Main products comprise IC,Modules,Potentiometer,IC Socket,Relay,Connector.Our parts cover such applications as commercial,industrial, and automotives areas.

We are looking forward to setting up business relationship with you and hope to provide you with the best service and solution. Let us make a better world for our industry!



Contact us

Tel: +86-755-8981 8866 Fax: +86-755-8427 6832

Email & Skype: info@chipsmall.com Web: www.chipsmall.com

Address: A1208, Overseas Decoration Building, #122 Zhenhua RD., Futian, Shenzhen, China



PLEASE CHECK WWW.MOLEX.COM FOR LATEST PART INFORMATION

Part Number: [62203-0410](#)

Status: **Active**

Description: Removal Tool

Documents:

[RoHS Certificate of Compliance \(PDF\)](#)

General

| | |
|--------------------------------|--|
| Product Family | Application Tooling |
| Series | T0201 |
| Comments | See Tooling Specification (PDF) Above |
| Function | Extraction |
| Geographic Area | Global |
| Level of Automation | Manual |
| More Detailed Tech Information | applicationtooling@molex.com |
| Product Name | iPass™ |
| Survey | www.molex.com//review/apptool_survey.html |
| Tool Type | Handtool |
| UPC | 884982694767 |

Material Info

Reference - Drawing Numbers

| | |
|-------------------------------|---------------|
| Application Tooling Documents | ATS-622030410 |
|-------------------------------|---------------|

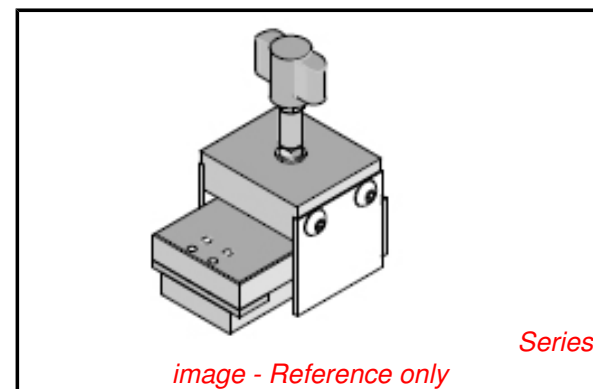


image - Reference only

| | |
|----------------|-------------------|
| EU RoHS | China RoHS |
|----------------|-------------------|

Compliance Status

Not Reviewed

REACH SVHC

Not Reviewed

Low-Halogen Status

Not Reviewed

Need more information on product environmental compliance?

Email productcompliance@molex.com
For a multiple part number RoHS Certificate of Compliance, [click here](#)

Please visit the [Contact Us](#) section for any non-product compliance questions.

Search Parts in this Series

[T0201Series](#)

Use With

[75581](#) iPass 16X PCIE, Integrated Cage and Connector Assembly, Press-Fit, 68 Circuit

| | |
|--|----------------------|
| Application Tooling Description | FAQ Product # |
|--|----------------------|

| | |
|--|------------|
| 0.80mm Pitch, iPass™ Stacked I/O, External Application, Integrated Cage and Connector Assembly, Right Angle, Press-Fit, 136 Circuit, 0.38µm Gold (Au) Plating, Lead-Free | 0755810008 |
|--|------------|

| | |
|--|------------|
| 0.80mm Pitch, iPass™ Stacked I/O, External Application, Integrated Cage and Connector Assembly, Right Angle, Press-Fit, 136 Circuit, | 0755810009 |
|--|------------|

0.76μm Gold (Au)
Plating, Lead-Free

This document was generated on 03/08/2013

PLEASE CHECK WWW.MOLEX.COM FOR LATEST PART INFORMATION