



Chipsmall Limited consists of a professional team with an average of over 10 year of expertise in the distribution of electronic components. Based in Hongkong, we have already established firm and mutual-benefit business relationships with customers from,Europe,America and south Asia,supplying obsolete and hard-to-find components to meet their specific needs.

With the principle of “Quality Parts,Customers Priority,Honest Operation,and Considerate Service”,our business mainly focus on the distribution of electronic components. Line cards we deal with include Microchip,ALPS,ROHM,Xilinx,Pulse,ON,Everlight and Freescale. Main products comprise IC,Modules,Potentiometer,IC Socket,Relay,Connector.Our parts cover such applications as commercial,industrial, and automotives areas.

We are looking forward to setting up business relationship with you and hope to provide you with the best service and solution. Let us make a better world for our industry!



Contact us

Tel: +86-755-8981 8866 Fax: +86-755-8427 6832

Email & Skype: info@chipsmall.com Web: www.chipsmall.com

Address: A1208, Overseas Decoration Building, #122 Zhenhua RD., Futian, Shenzhen, China



PLEASE CHECK WWW.MOLEX.COM FOR LATEST PART INFORMATION

Part Number: [62203-0450](#)

Status: **Active**

Description: Removal Tool

Documents:

[RoHS Certificate of Compliance \(PDF\)](#)

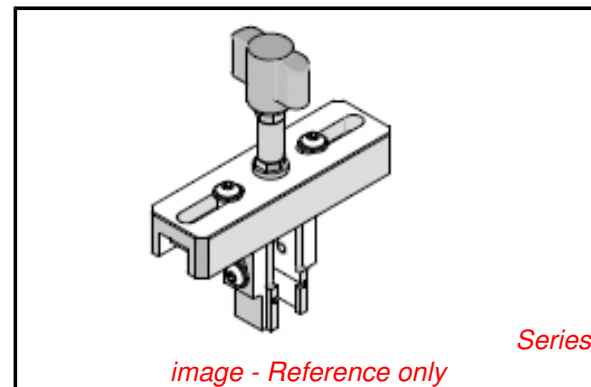
General

Product Family	Application Tooling
Series	T3002
Comments	See Tooling Specification (PDF) Above
Function	Extraction
Geographic Area	Global
Level of Automation	Manual
More Detailed Tech Information	applicationtooling@molex.com
Product Name	N/A
Survey	www.molex.com//review/apptool_survey.html
Tool Type	Handtool
UPC	884982694729

Material Info

Reference - Drawing Numbers

Application Tooling Documents	ATS-622030450
-------------------------------	---------------



EU RoHS	China RoHS
----------------	-------------------

Compliance Status

Not Reviewed

REACH SVHC

Not Reviewed

Low-Halogen Status

Not Reviewed

Need more information on product environmental compliance?

Email productcompliance@molex.com
For a multiple part number RoHS Certificate of Compliance, [click here](#)

Please visit the [Contact Us](#) section for any non-product compliance questions.

Search Parts in this Series

[T3002Series](#)

Use With

[45280](#) 3.00mm Pitch Micro-Fit 3.0 BMI
CPI™ Compliant Pin Header

Application Tooling	FAQ
Description	Product #

3.00mm Pitch Micro-Fit 3.0 BMI CPI™	0452800652
-------------------------------------	------------

Compliant Pin Header, Blind Mate Interface, Dual Row, Vertical, 6 Circuits, PA Polyamide Nylon 4/6, UL 94V-0, 0.38µm Gold (Au) Selective Contact Plating, Tin (Sn) Tail Plating

3.00mm Pitch Micro-Fit 3.0 BMI CPI™	0452800852
-------------------------------------	------------

Compliant Pin Header, Blind Mate

Interface, Dual Row,
Vertical, 8 Circuits,
PA Polyamide Nylon
4/6, UL 94V-0,
0.38µm Gold (Au)
Selective Contact
Plating, Tin (Sn) Tail
Plating
33.00mm Pitch 0452800452
Micro-Fit 3.0 BMI
CPI™ Compliant Pin
Header, Blind Mate
Interface, Dual Row,
Vertical, 4 Circuits,
PA Polyamide Nylon
4/6, UL 94V-0,
0.38µm Gold (Au)
Selective Contact
Plating, Tin (Sn) Tail
Plating
3.00mm Pitch Micro- 0452800801
Fit 3.0 BMI CPI™
Compliant Pin
Header, Blind Mate
Interface, Dual Row,
Vertical, 8 Circuits,
PA Polyamide Nylon
4/6, UL 94V-0, Tin
(Sn) Over Nickel (Ni)
Plating
3.00mm Pitch Micro- 0452801252
Fit 3.0 BMI CPI™
Compliant Pin
Header, Blind Mate
Interface, Dual Row,
Vertical, 12 Circuits,
PA Polyamide Nylon
4/6, UL 94V-0,
0.38µm Gold (Au)
Selective Contact
Plating, Tin (Sn) Tail
Plating
3.00mm Pitch Micro- 0452801253
Fit 3.0 BMI CPI™
Compliant Pin
Header, Blind Mate
Interface, Dual Row,
Vertical, 12 Circuits,
PA Polyamide Nylon
4/6, UL 94V-0,
0.76µm Gold (Au)
Selective Contact
Plating, Tin (Sn) Tail
Plating
3.00mm Pitch Micro- 0452801001
Fit 3.0 BMI CPI™
Compliant Pin
Header, Blind Mate
Interface, Dual Row,
Vertical, 10 Circuits,
PA Polyamide Nylon
4/6, UL 94V-0, Tin
(Sn) Over Nickel (Ni)
Plating

3.00mm Pitch Micro- 0452802001
Fit 3.0 BMI CPI™
Compliant Pin
Header, Blind Mate
Interface, Dual Row,
Vertical, 20 Circuits,
PA Polyamide Nylon
4/6, UL 94V-0, Tin
(Sn) Over Nickel (Ni)
Plating

3.00mm Pitch Micro- 0452800653
Fit 3.0 BMI CPI™
Compliant Pin
Header, Blind Mate
Interface, Dual Row,
Vertical, 6 Circuits,
PA Polyamide Nylon
4/6, UL 94V-0,
0.76µm Gold (Au)
Selective Contact
Plating, Tin (Sn) Tail
Plating

3.00mm Pitch Micro- 0452800401
Fit 3.0 BMI CPI™
Compliant Pin
Header, Blind Mate
Interface, Dual Row,
Vertical, 4 Circuits,
PA Polyamide Nylon
4/6, UL 94V-0, Tin
(Sn) Over Nickel (Ni)
Plating

3.00mm Pitch Micro- 0452800453
Fit 3.0 BMI CPI™
Compliant Pin
Header, Blind Mate
Interface, Dual Row,
Vertical, 4 Circuits,
PA Polyamide Nylon
4/6, UL 94V-0,
0.76µm Gold (Au)
Selective Contact
Plating, Tin (Sn) Tail
Plating

3.00mm Pitch Micro- 0452800601
Fit 3.0 BMI CPI™
Compliant Pin
Header, Blind Mate
Interface, Dual Row,
Vertical, 6 Circuits,
PA Polyamide Nylon
4/6, UL 94V-0, Tin
(Sn) Over Nickel (Ni)
Plating

3.00mm Pitch Micro- 0452800853
Fit 3.0 BMI CPI™
Compliant Pin
Header, Blind Mate
Interface, Dual Row,
Vertical, 8 Circuits,
PA Polyamide Nylon
4/6, UL 94V-0,
0.76µm Gold (Au)
Selective Contact

Plating, Tin (Sn) Tail
Plating
3.00mm Pitch Micro- 0452801052
Fit 3.0 BMI CPI™
Compliant Pin
Header, Blind Mate
Interface, Dual Row,
Vertical, 10 Circuits,
PA Polyamide Nylon
4/6, UL 94V-0,
0.38µm Gold (Au)
Selective Contact
Plating, Tin (Sn) Tail
Plating
3.00mm Pitch Micro- 0452801053
Fit 3.0 BMI CPI™
Compliant Pin
Header, Blind Mate
Interface, Dual Row,
Vertical, 10 Circuits,
PA Polyamide Nylon
4/6, UL 94V-0,
0.76µm Gold (Au)
Selective Contact
Plating, Tin (Sn) Tail
Plating
3.00mm Pitch Micro- 0452801201
Fit 3.0 BMI CPI™
Compliant Pin
Header, Blind Mate
Interface, Dual Row,
Vertical, 12 Circuits,
PA Polyamide Nylon
4/6, UL 94V-0, Tin
(Sn) Over Nickel (Ni)
Plating
3.00mm Pitch Micro- 0452801401
Fit 3.0 BMI CPI™
Compliant Pin
Header, Blind Mate
Interface, Dual Row,
Vertical, 14 Circuits,
PA Polyamide Nylon
4/6, UL 94V-0, Tin
(Sn) Over Nickel (Ni)
Plating
3.00mm Pitch Micro- 0452801452
Fit 3.0 BMI CPI™
Compliant Pin
Header, Blind Mate
Interface, Dual Row,
Vertical, 14 Circuits,
PA Polyamide Nylon
4/6, UL 94V-0,
0.38µm Gold (Au)
Selective Contact
Plating, Tin (Sn) Tail
Plating
3.00mm Pitch Micro- 0452801453
Fit 3.0 BMI CPI™
Compliant Pin
Header, Blind Mate
Interface, Dual Row,
Vertical, 14 Circuits,
PA Polyamide Nylon

4/6, UL 94V-0,
0.76µm Gold (Au)
Selective Contact
Plating, Tin (Sn) Tail
Plating
3.00mm Pitch Micro- 0452801601
Fit 3.0 BMI CPI™
Compliant Pin
Header, Blind Mate
Interface, Dual Row,
Vertical, 16 Circuits,
PA Polyamide Nylon
4/6, UL 94V-0, Tin
(Sn) Over Nickel (Ni)
Plating
3.00mm Pitch Micro- 0452801652
Fit 3.0 BMI CPI™
Compliant Pin
Header, Blind Mate
Interface, Dual Row,
Vertical, 16 Circuits,
PA Polyamide Nylon
4/6, UL 94V-0,
0.38µm Gold (Au)
Selective Contact
Plating, Tin (Sn) Tail
Plating
3.00mm Pitch Micro- 0452801653
Fit 3.0 BMI CPI™
Compliant Pin
Header, Blind Mate
Interface, Dual Row,
Vertical, 16 Circuits,
PA Polyamide Nylon
4/6, UL 94V-0,
0.76µm Gold (Au)
Selective Contact
Plating, Tin (Sn) Tail
Plating
3.00mm Pitch Micro- 0452801801
Fit 3.0 BMI CPI™
Compliant Pin
Header, Blind Mate
Interface, Dual Row,
Vertical, 18 Circuits,
PA Polyamide Nylon
4/6, UL 94V-0, Tin
(Sn) Over Nickel (Ni)
Plating
3.00mm Pitch Micro- 0452801852
Fit 3.0 BMI CPI™
Compliant Pin
Header, Blind Mate
Interface, Dual Row,
Vertical, 18 Circuits,
PA Polyamide Nylon
4/6, UL 94V-0,
0.38µm Gold (Au)
Selective Contact
Plating, Tin (Sn) Tail
Plating
3.00mm Pitch Micro- 0452801853
Fit 3.0 BMI CPI™
Compliant Pin
Header, Blind Mate

Interface, Dual Row,
Vertical, 18 Circuits,
PA Polyamide Nylon
4/6, UL 94V-0,
0.76µm Gold (Au)
Selective Contact
Plating, Tin (Sn) Tail
Plating
3.00mm Pitch Micro- 0452802052
Fit 3.0 BMI CPI™
Compliant Pin
Header, Blind Mate
Interface, Dual Row,
Vertical, 20 Circuits,
PA Polyamide Nylon
4/6, UL 94V-0,
0.38µm Gold (Au)
Selective Contact
Plating, Tin (Sn) Tail
Plating
3.00mm Pitch Micro- 0452802053
Fit 3.0 BMI CPI™
Compliant Pin
Header, Blind Mate
Interface, Dual Row,
Vertical, 20 Circuits,
PA Polyamide Nylon
4/6, UL 94V-0,
0.76µm Gold (Au)
Selective Contact
Plating, Tin (Sn) Tail
Plating
3.00mm Pitch Micro- 0452802201
Fit 3.0 BMI CPI™
Compliant Pin
Header, Blind Mate
Interface, Dual Row,
Vertical, 22 Circuits,
PA Polyamide Nylon
4/6, UL 94V-0, Tin
(Sn) Over Nickel (Ni)
Plating
3.00mm Pitch Micro- 0452802252
Fit 3.0 BMI CPI™
Compliant Pin
Header, Blind Mate
Interface, Dual Row,
Vertical, 22 Circuits,
PA Polyamide Nylon
4/6, UL 94V-0,
0.38µm Gold (Au)
Selective Contact
Plating, Tin (Sn) Tail
Plating
3.00mm Pitch Micro- 0452802253
Fit 3.0 BMI CPI™
Compliant Pin
Header, Blind Mate
Interface, Dual Row,
Vertical, 22 Circuits,
PA Polyamide Nylon
4/6, UL 94V-0,
0.76µm Gold (Au)
Selective Contact

Plating, Tin (Sn) Tail
Plating
3.00mm Pitch Micro- 0452802401
Fit 3.0 BMI CPI™
Compliant Pin
Header, Blind Mate
Interface, Dual Row,
Vertical, 24 Circuits,
PA Polyamide Nylon
4/6, UL 94V-0, Tin
(Sn) Over Nickel (Ni)
Plating
3.00mm Pitch Micro- 0452802452
Fit 3.0 BMI CPI™
Compliant Pin
Header, Blind Mate
Interface, Dual Row,
Vertical, 24 Circuits,
PA Polyamide Nylon
4/6, UL 94V-0,
0.38µm Gold (Au)
Selective Contact
Plating, Tin (Sn) Tail
Plating
3.00mm Pitch Micro- 0452802453
Fit 3.0 BMI CPI™
Compliant Pin
Header, Blind Mate
Interface, Dual Row,
Vertical, 24 Circuits,
PA Polyamide Nylon
4/6, UL 94V-0,
0.76µm Gold (Au)
Selective Contact
Plating, Tin (Sn) Tail
Plating

This document was generated on 03/08/2013

PLEASE CHECK WWW.MOLEX.COM FOR LATEST PART INFORMATION