



Chipsmall Limited consists of a professional team with an average of over 10 year of expertise in the distribution of electronic components. Based in Hongkong, we have already established firm and mutual-benefit business relationships with customers from,Europe,America and south Asia,supplying obsolete and hard-to-find components to meet their specific needs.

With the principle of “Quality Parts,Customers Priority,Honest Operation,and Considerate Service”,our business mainly focus on the distribution of electronic components. Line cards we deal with include Microchip,ALPS,ROHM,Xilinx,Pulse,ON,Everlight and Freescale. Main products comprise IC,Modules,Potentiometer,IC Socket,Relay,Connector.Our parts cover such applications as commercial,industrial, and automotives areas.

We are looking forward to setting up business relationship with you and hope to provide you with the best service and solution. Let us make a better world for our industry!



Contact us

Tel: +86-755-8981 8866 Fax: +86-755-8427 6832

Email & Skype: info@chipsmall.com Web: www.chipsmall.com

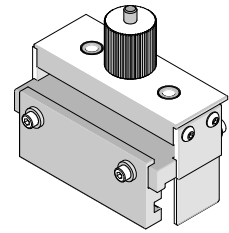
Address: A1208, Overseas Decoration Building, #122 Zhenhua RD., Futian, Shenzhen, China



**1GBE and 10GBE
2-by-6 Magnetic Jack
Removal Tool**



**Application Tooling
Specification Sheet**



Order No. 62203-0560

FEATURES

- Manual tool used to remove the ICM connector assembly from a PCB
- A secondary tool is used to pull off the connector from the board
- Use tool 62202-4420 to insert connectors

SCOPE

Products: 1GBE and 10GBE 2 by 6 Magnetic Jack assemblies with Press-fit Tails.

Connector Series No	Connector Order no.		
171002 (1GBE)	171002-1001		
170721 (10GBE)	170721-0001	170721-0004	170721-0005
171211 (10GBE)	171211-1001		

Notes:

1. See the following pages for tooling operation instructions.
2. These tools require a "Keep Out Zone" around the connector free of components. The rear of the connector should be 2.0mm (0.08 in). The right and left sides should be 1.5mm (0.06 in). See Figure 1.

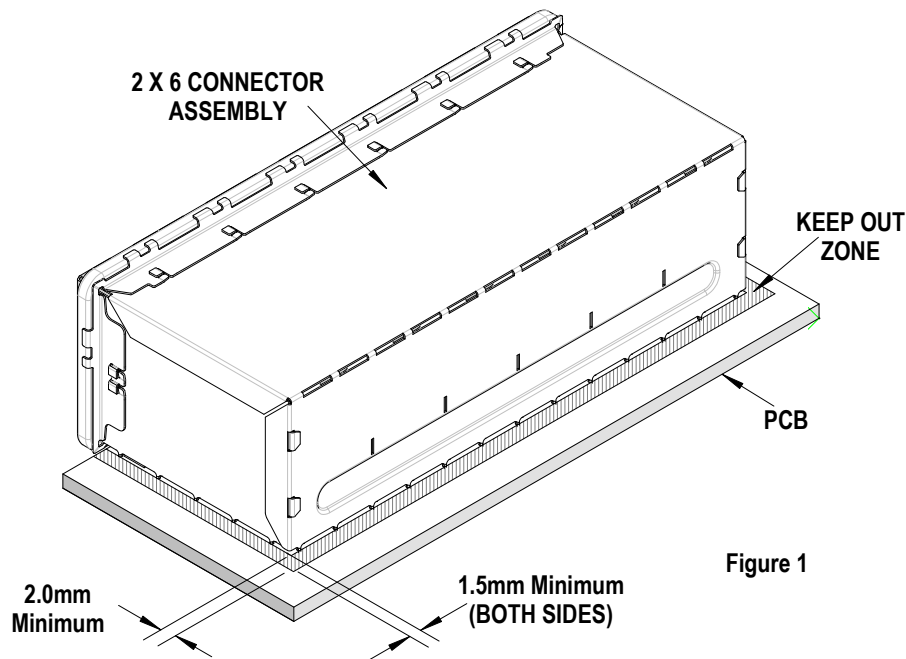


Figure 1

Tool Setup

The removal tool must be set up for the connector to be removed.

From the front of the tool

The 1GBE assemblies (171002 series) require a Spacer to be installed between the clamp tie plate and the front clamp. The 10GBE assemblies (170721 series) require the Spacer to be stored on the front clamp. See Figure 2.

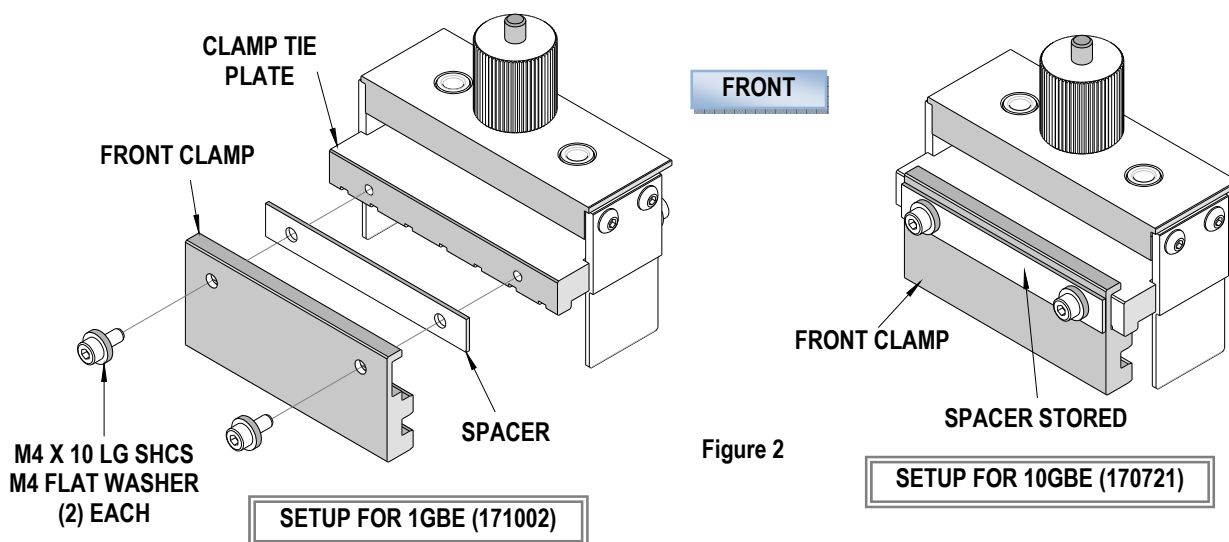


Figure 2

From the back of the tool

The 1GBE assemblies (171002 series) require the spacer plates to be stored on the rear clamp and the clamping plates. The 10GBE assemblies (170721 series) require two of the spacer plates to be installed between the clamp tie plate and the clamping plates. The middle the spacer plate is installed between the top plate and the rear clamp. See Figure 3.

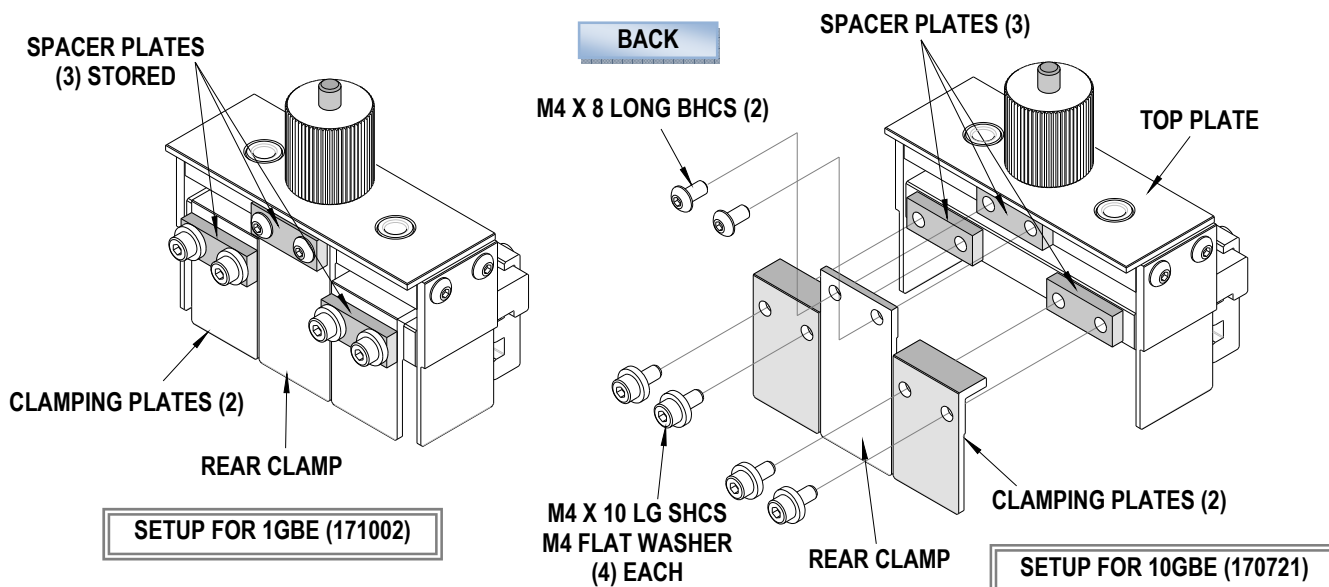


Figure 3

Tool Operation

1. Loosen the upper and lower halves of the tool by turning the knob counterclockwise (CCW) until there is about 10.0mm between the lower half and upper half of the tooling. See Figure 4.
2. Remove the front clamp from the lower tooling by removing the (2) M4 SHCS and washers. See Figure 4.
3. Place the lower tool over the connector assembly, then reattach the front clamp, making sure the tabs go into the connector ports. For the 1GB assembly, make sure the spacer plate is installed between the front clamp and the lower tooling. Re-install the (2) M4 SHCS and washers and close the front clamp on the connector. See Figure 5.

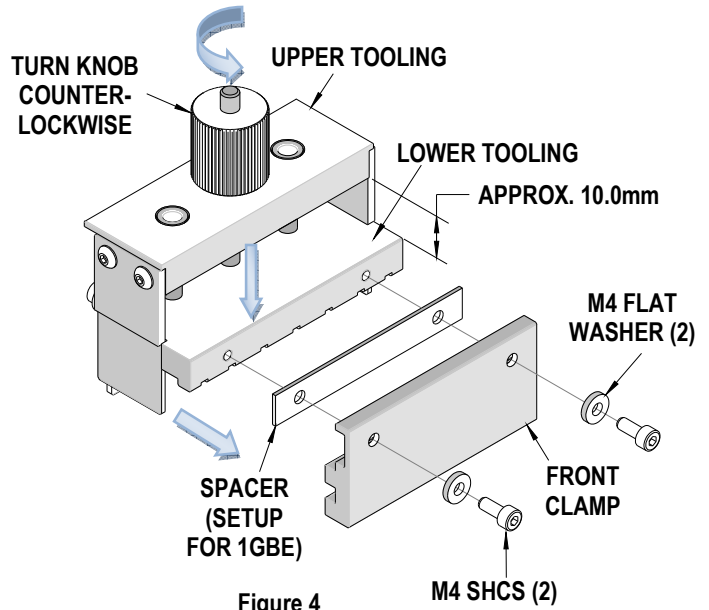


Figure 4

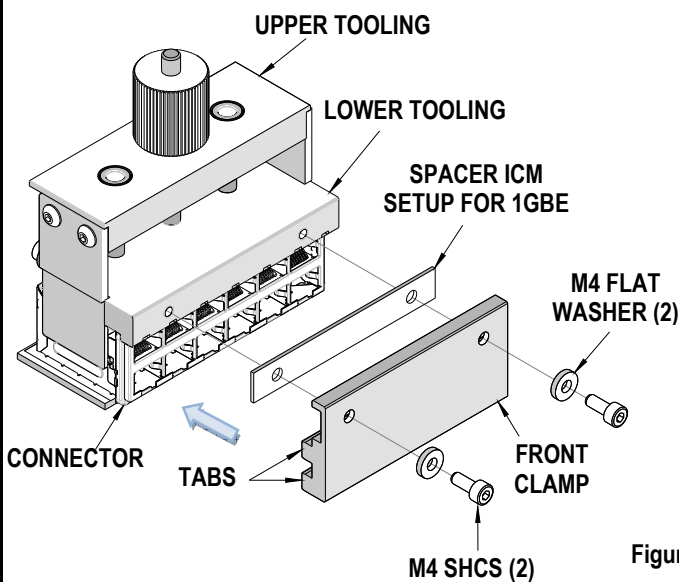


Figure 5

4. Turn the knob clockwise (CW) until the upper tool's side plates contact the PCB. See Figure 6.
5. Continue turning the knob allowing the extraction tool to begin lifting the connector off the PCB. Only allow the extraction tool to lift a distance so the cage assembly is pulled off the PCB.
6. Remove the extraction tool from the connector by removing the (2) M4 SHCS and washers.
7. Remove the front clamp from the lower tooling.
8. The secondary tool is now required to pull off the entire assembly. See Secondary Tool Operation below.

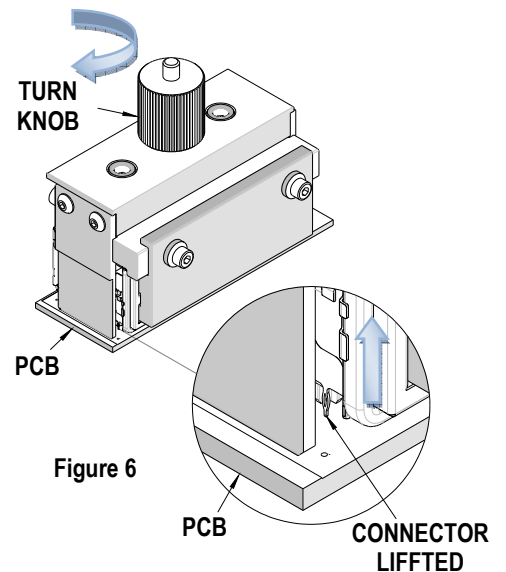
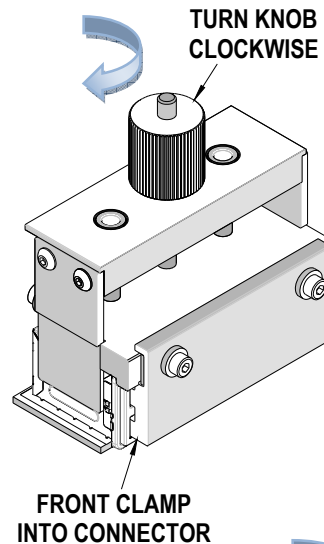


Figure 6

NOTES:

1. If the PCB is thin it will bend while the connector is being removed. Support or clamp the PCB in place if necessary.
2. After the connector is removed from the PCB, some connector pins may remain in the PCB. This is normal and the pins can be removed with common long-nose pliers.

Secondary Tool Operation

This secondary tool (A small lifting pick) is used to pry up the entire assembly off the PCB.
Only After the connector has been partially lifted from the PCB with the 622029730 extractor tool.

This tool can be purchased separately from Molex order no. 62202-4440.

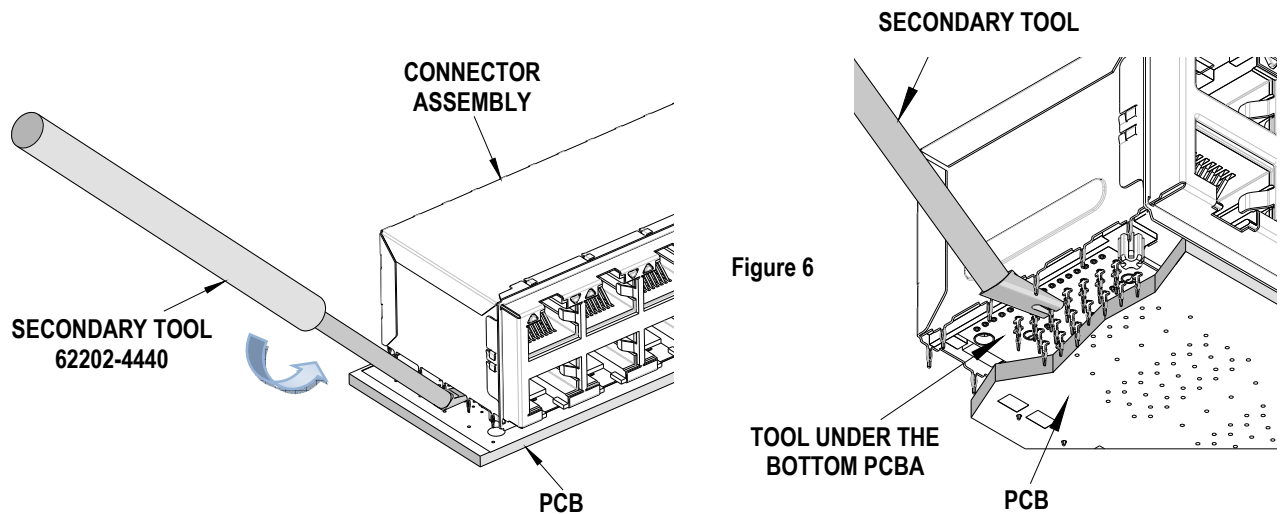
The secondary tool has a thin curved tip so a prying action can be applied to the underside of the Magnetic Jack assembly.

The secondary tool is placed between the connector assembly and the PCB.

Use this tool around the perimeter of the connector assembly, prying up the connector assembly small increments, (.25-.50mm) until it is free of the PCB. See Figure 6 below.



Use caution when using this tool so as not to damage the PCB or the cage of the assembly. Make sure the tip of the secondary tool is underneath the bottom PCBA and above the PCB. Do not pry up the Magnetic Jack assembly by the cage.



Visit our Web site at <http://www.molex.com>