



Chipsmall Limited consists of a professional team with an average of over 10 year of expertise in the distribution of electronic components. Based in Hongkong, we have already established firm and mutual-benefit business relationships with customers from,Europe,America and south Asia,supplying obsolete and hard-to-find components to meet their specific needs.

With the principle of “Quality Parts,Customers Priority,Honest Operation,and Considerate Service”,our business mainly focus on the distribution of electronic components. Line cards we deal with include Microchip,ALPS,ROHM,Xilinx,Pulse,ON,Everlight and Freescale. Main products comprise IC,Modules,Potentiometer,IC Socket,Relay,Connector.Our parts cover such applications as commercial,industrial, and automotives areas.

We are looking forward to setting up business relationship with you and hope to provide you with the best service and solution. Let us make a better world for our industry!



Contact us

Tel: +86-755-8981 8866 Fax: +86-755-8427 6832

Email & Skype: info@chipsmall.com Web: www.chipsmall.com

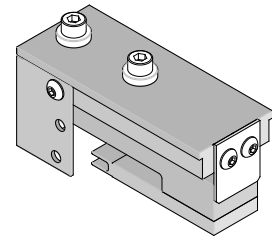
Address: A1208, Overseas Decoration Building, #122 Zhenhua RD., Futian, Shenzhen, China



**zHD and zCD
Connector Assembly
Installation
Extractor Tool**



**Application Tooling
Specification Sheet**



Order No. 62203-0750

FEATURES

- Removes the zHD or zCD connector assembly from the PCB
- Removes connector from the PCB without damage to the board
- Use tool 62203-0700 for inserting connectors

SCOPE

Products: zHD and zCD 16X connector assemblies. See Product List below for specific part numbers.

Product List

The following is a partial list of the product order numbers and their specifications this tool is designed to run. Updates to this list are available on www.molex.com.

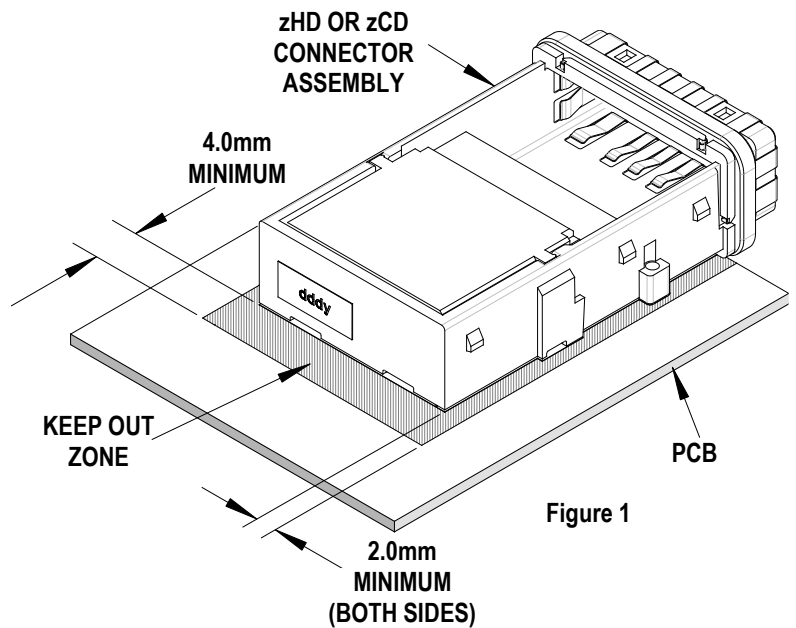
| Connector Series No. | Assembly Order No. | | | |
|----------------------|--------------------|-------------|-------------|-------------|
| 170834 | 170834-0001 | 170834-0002 | 170834-0012 | 170834-0013 |
| 173359 | 173359-0001 | 173359-0002 | | |

Tool Setup

The tooling arrangement in this removal tool is determined by the module and component placement on the PCB.

There is a "Keep-Out Zone" that needs to be clear of the other components when using some of the tool arrangements. See Figure 1. For more information see Molex drawing number SD-170834-0001.

Note: Be sure that all parts of the removal tool will clear any components on the printed circuit board during use. See correct tooling set-up figures below. Tape may also be placed over circuit traces or on the bottom of the side plate for added protection of the printed circuit board.



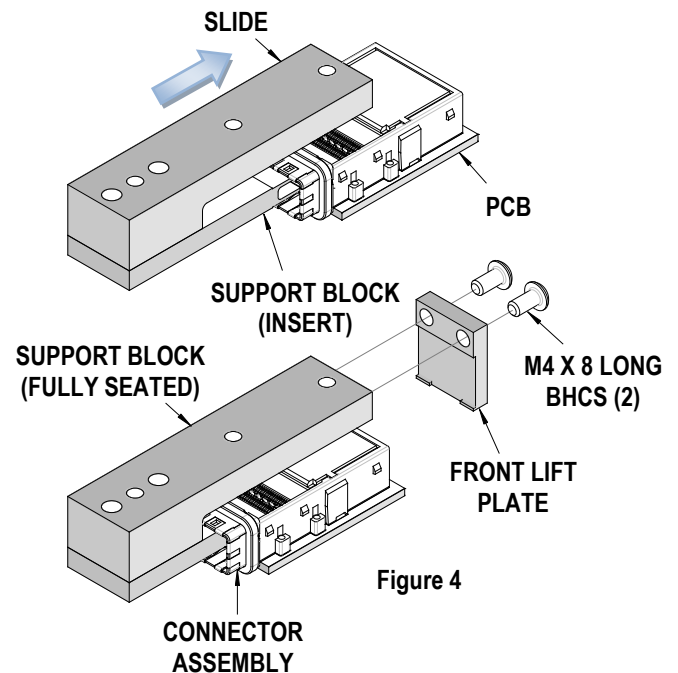
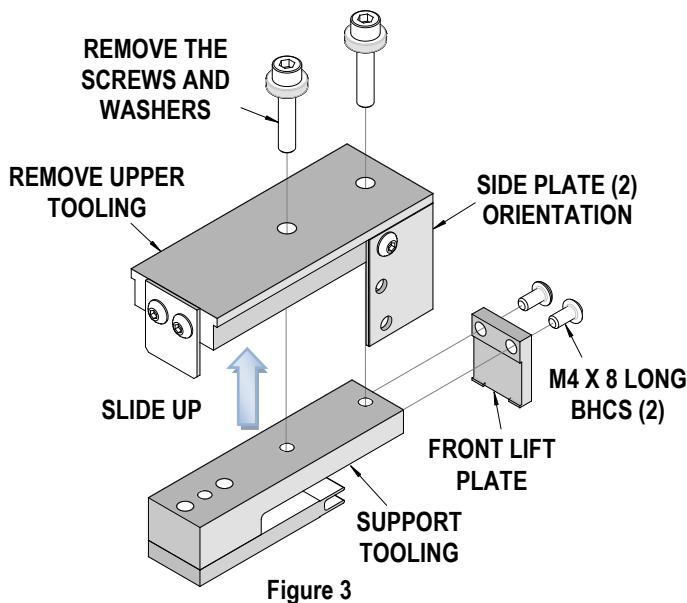
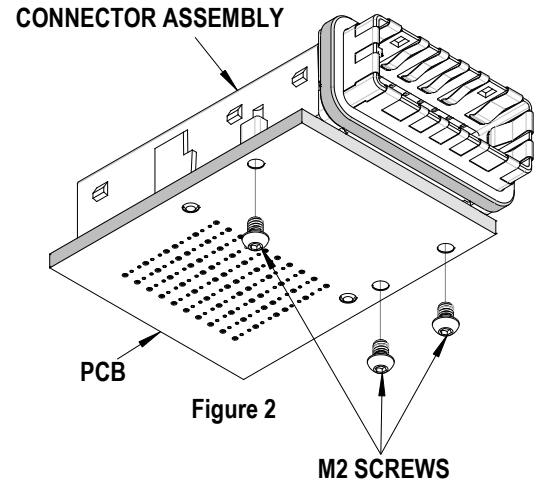
To prevent damage to the adjacent modules in the PC Board the correct position of the (2) side plates must be used. See Figures 6 and 7 for correct use of PCB side plates with positioned modules.

Warning: M2 screws must be removed before removing the connector.

Three (3) M2 screws hold the connector assembly to the printed circuit board. Before any removal operation is done these screws must be removed. See Figure 2. The heat sink and cover, if used, must also be removed in order for the tool to fit.

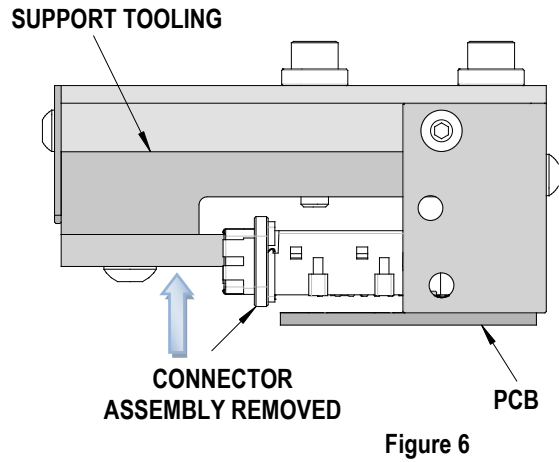
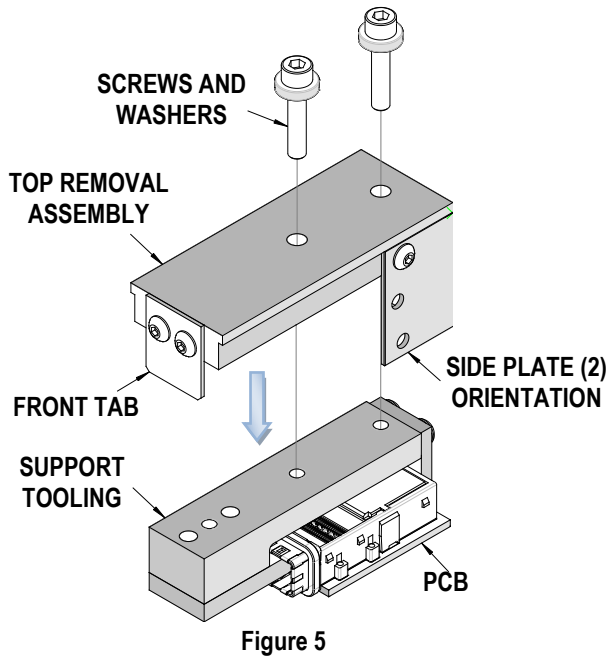
Operation

1. Disassemble the (2) halves as delivered by unscrewing the screws on the top of the "upper tooling".
2. Unscrew the (2) M4 x 8 BHCS from the front lift place on the support tooling and set aside.
3. Depending on if there are connector assemblies on either side of the connector to be removed, position the side plates as shown in Figure 5, Figure 7, or Figure 8.
4. Insert the support block assembly into the connector assembly until it is fully seated. See Figure 4.
5. Reattach the front lift plate to the back of the support block using the (2) M4 BHCS but to not tighten.
6. For zCD assemblies (170834 series) make sure the front lift plate's two feet engage the two slots in the bottom of the die cast connector cage before tightening the M4 screws. Some adjustments by hand of the support block assembly may be necessary to engage the lift plate feet into the connector assembly slots.
7. For zCD assemblies (173359 series) reverse the front lift plate so the toothed side can engage the toothed openings in the bottom of the die cast connector cage. Some adjustments by hand of the support block assembly may be necessary to engage the lift plate "teeth" into the connector assembly slots.



8. Place the top removal assembly over the support block and the connector assembly, aligning the front tab of the top removal assembly with the front edge of the support block. See Figure 5.
9. Now place the washers and screws into the holes in the top removal assembly and turn until seated on the top plate, using a 4mm hex wrench to tighten the screws.

10. Tighten each screw, one turn in an alternating pattern until the connector assembly is removed from the PCB. See Figure 6.



Connector Assemblies Removal (With Connector Assemblies on Both sides)

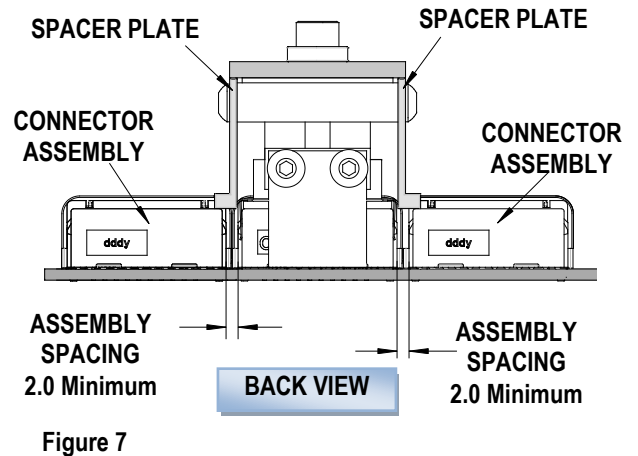
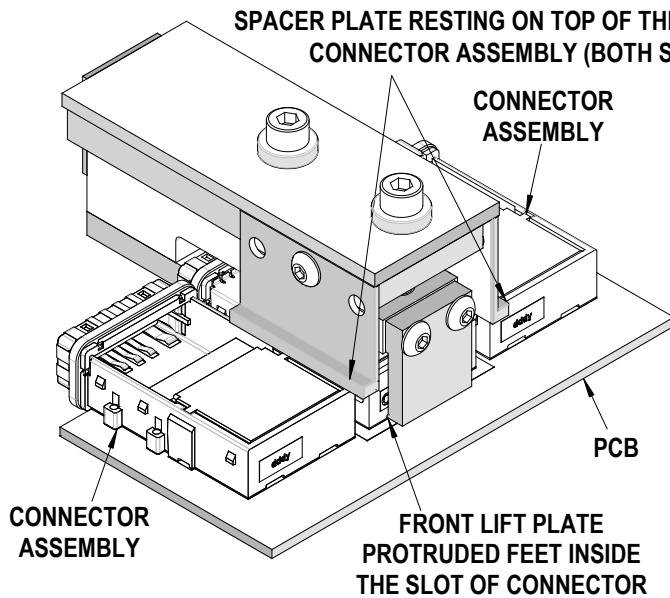
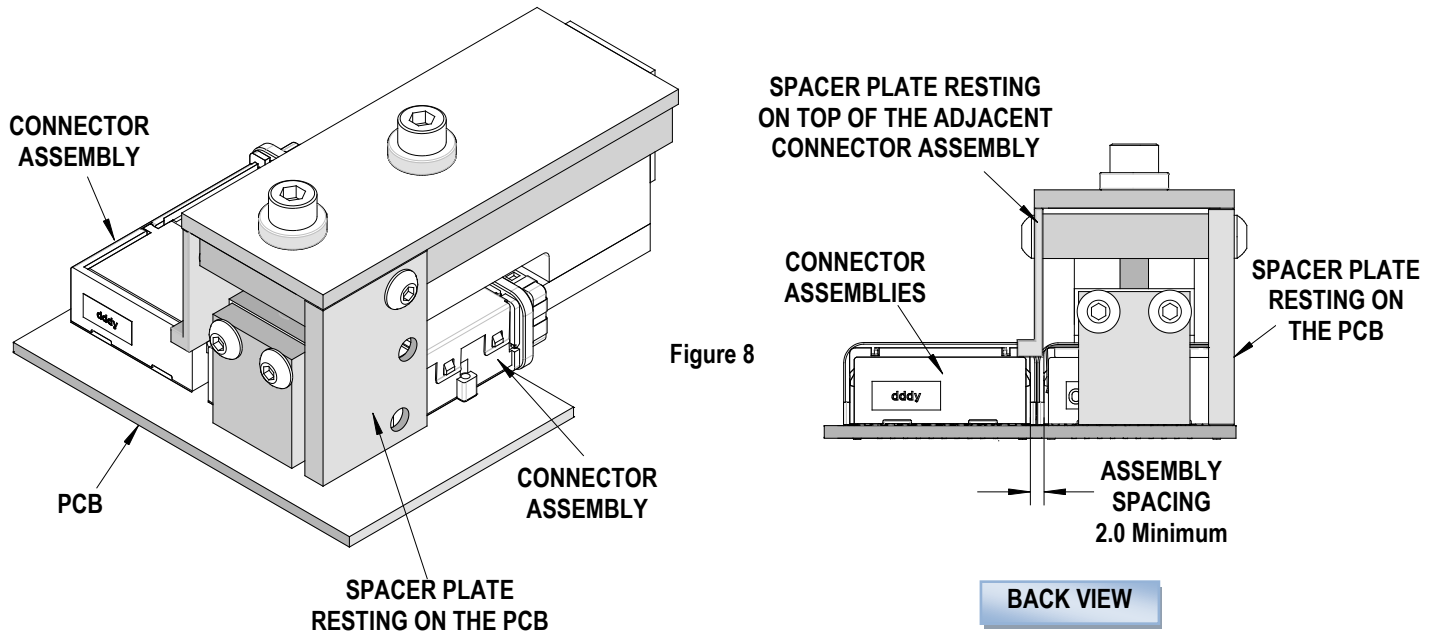


Figure 7 shows the allowable spacing between zHD connector assemblies; using the (2) Side Plate rotated 90°.

Use the correct position of the side plates if the connector assemblies are 2.0mm apart shown in Figure 6. This connector assembly arrangement allows the side plates to rest on the top surface of the adjacent connector assembly on both sides.

Connector Assemblies Removal (With Connector Assemblies on one side)

Figure 8 shows the allowable spacing between zHD connector assemblies, using the (2) Side Plate. Use the correct position of the side plates if the connector assemblies are 2.0mm apart shown in Figure 7. This connector assembly arrangement allows one the side plates (rotated 90°) to rest on the top surface of the adjacent connector assembly and one side plate to rest on the PCB.



CAUTION: Molex application tooling specifications are valid only when used with Molex connectors and tooling.

Contact Information

For more information on Molex application tooling please contact Molex at 1-800-786-6539.

<http://www.molex.com>