



Chipsmall Limited consists of a professional team with an average of over 10 year of expertise in the distribution of electronic components. Based in Hongkong, we have already established firm and mutual-benefit business relationships with customers from,Europe,America and south Asia,supplying obsolete and hard-to-find components to meet their specific needs.

With the principle of "Quality Parts,Customers Priority,Honest Operation,and Considerate Service",our business mainly focus on the distribution of electronic components. Line cards we deal with include Microchip,ALPS,ROHM,Xilinx,Pulse,ON,Everlight and Freescale. Main products comprise IC,Modules,Potentiometer,IC Socket,Relay,Connector.Our parts cover such applications as commercial,industrial, and automotives areas.

We are looking forward to setting up business relationship with you and hope to provide you with the best service and solution. Let us make a better world for our industry!



Contact us

Tel: +86-755-8981 8866 Fax: +86-755-8427 6832

Email & Skype: info@chipsmall.com Web: www.chipsmall.com

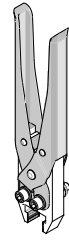
Address: A1208, Overseas Decoration Building, #122 Zhenhua RD., Futian, Shenzhen, China



**NeoStack™
Plug and Receptacle
Removal Tool**



**Application Tooling
Specification Sheet**



Order No. 62203-1320

FEATURES

- Universal tool used for removal of NeoStack™ Plug and Receptacle assemblies
- Removes connector without damaging the PCB
- For plug insertion, use 62203-1300 (6x14) or 62203-1330 (6x10) tools.
- For receptacle insertion, use 62203-1310 (6x14) or 62203-1340 (6x10) tools.

SCOPE

Products: NeoStack™ 100 Ohm Plug and Receptacle assemblies. See Product List below for order numbers.

Product List

The following is a partial list of the product order numbers and their specifications this tool is designed to be used on. Updates to this list are available on www.molex.com

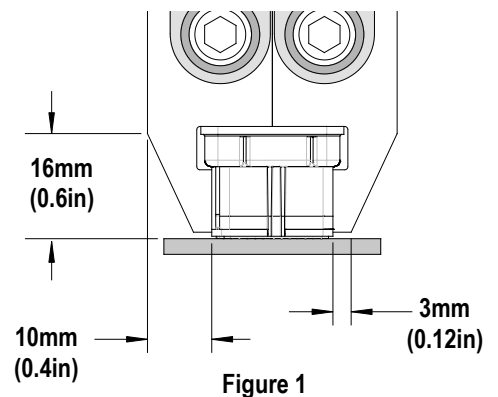
Size	Series No.	Assembly Order No.	
6 x 10	172801	172801-0005	172801-0006
		172801-0007	
	172832	172832-0005	172832-0006
		172832-0007	
6 x 14	172801	172801-0001	172801-0009
	172832	172832-0001	
6 x 16	172801	172801-0008	172801-0013
	172832	172832-0013	

DESCRIPTION

The 62203-1320 NeoStack™ Removal Tool is a pliers-type tool for removing a press-fit plug or receptacle signal module from the printed circuit board. The tool is approximately 200mm (8 in.) long by 45mm (1.8 in.) wide (closed) by 38mm (1.5 in.) thick and weighs 0.7 kg (1.5 lb.).

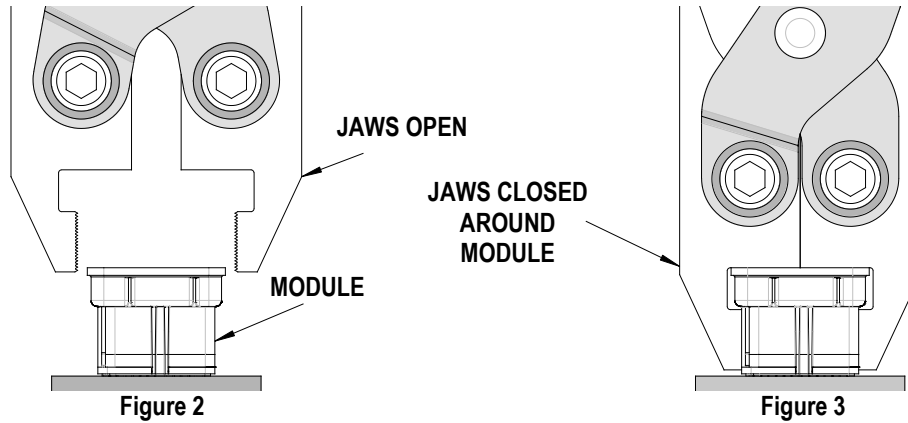
OPERATING SPACE (Keep Out Zone)

A certain amount of space is required on the printed circuit board for the Removal Tool to fit over the signal module. Make sure there are no other components in this space. See Figure 1.



TOOL OPERATION

1. Open the removal tool so jaws fit over the module to be removed. The front and back jaws should fit over the module as shown in Figure 2.
2. Slowly squeeze the removal tool closed, making sure the jaws securely grip the housing. See Figure 3.



3. Use a perpendicular upward motion to remove the module. Do not excessively “rock” the module back and forth this may damage to the PCB.
4. It may be necessary to reposition the tool along the module to gradually remove it from the PCB.

Maintenance

It is recommended that each operator of the tool be made aware of, and responsible for, the following maintenance steps:

1. Remove dust, moisture, and other contaminants with a clean brush, or soft, lint free cloth.
2. Do not use any abrasive materials that could damage the tool.
3. Make certain all pins; pivot points and bearing surfaces are protected with a thin coat of high quality machine oil. Do not oil excessively.
4. When tool is not in use, store in a clean, dry area.
5. There are no repair parts available for this tool. Should the tool be damaged a new tool is required.

CAUTION: Molex specifications are valid only when used with Molex connectors and tooling.

Visit our Web site at <http://www.molex.com>