



Chipsmall Limited consists of a professional team with an average of over 10 year of expertise in the distribution of electronic components. Based in Hongkong, we have already established firm and mutual-benefit business relationships with customers from,Europe,America and south Asia,supplying obsolete and hard-to-find components to meet their specific needs.

With the principle of “Quality Parts,Customers Priority,Honest Operation,and Considerate Service”,our business mainly focus on the distribution of electronic components. Line cards we deal with include Microchip,ALPS,ROHM,Xilinx,Pulse,ON,Everlight and Freescale. Main products comprise IC,Modules,Potentiometer,IC Socket,Relay,Connector.Our parts cover such applications as commercial,industrial, and automotives areas.

We are looking forward to setting up business relationship with you and hope to provide you with the best service and solution. Let us make a better world for our industry!



Contact us

Tel: +86-755-8981 8866 Fax: +86-755-8427 6832

Email & Skype: info@chipsmall.com Web: www.chipsmall.com

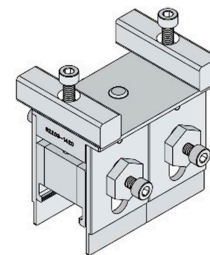
Address: A1208, Overseas Decoration Building, #122 Zhenhua RD., Futian, Shenzhen, China





**NeoPress
Plug and Receptacle
Removal Tool**

**Application Tooling
Specification Sheet**



Order No. 62203-1420

FEATURES

- Uses a vertical pulling motion to prevent printed circuit board (PCB) damage
- Removes various sizes of plugs and receptacles
- Removes connectors without damage to the PCB

SCOPE

Products: NeoPress High-Speed Mezzanine System, Plugs and Receptacles, 8 Row by 20. See product list below for applicable part numbers.

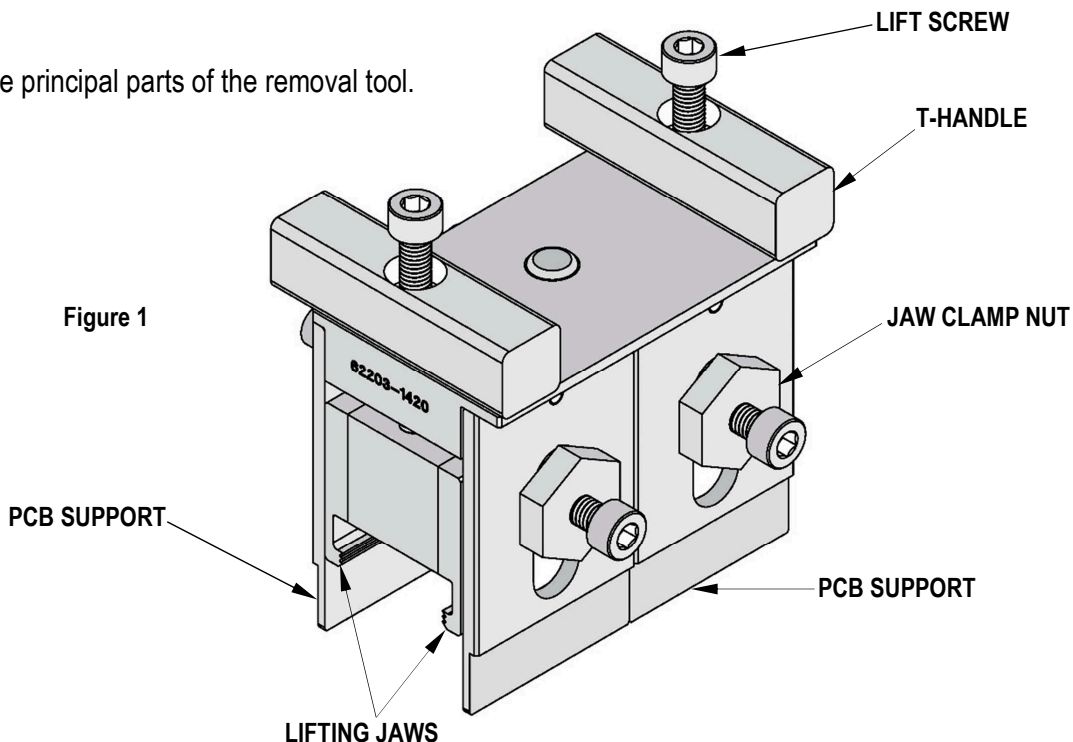
Product List

The following is a partial list of the product order numbers and specifications that this tool is designed to run. Updates to this list are available at <http://www.molex.com>.

Series Number	Height	Connector Part Number
172801 Plug	21.5mm	172801-0010
172832 Receptacle	18.5mm	172832-0010

DESCRIPTION

Figure 1 illustrates the principal parts of the removal tool.



Tool Restrictions

For this removal tool to function, there is a Keep-Out Zone of 5mm (.20") along the sides of the connector that needs to be clear of other components. See Figure 2. This is a general requirement, regardless of the connector being removed.

Note: Be sure that all parts of the removal tool will clear any components on the PCB during use. Tape may also be placed over circuit traces or on the bottom of the PCB supports for added protection of the printed circuit board.

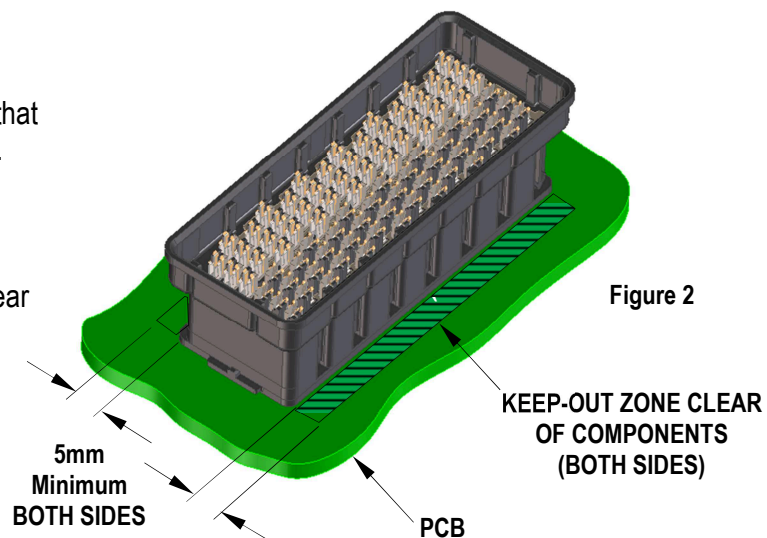


Figure 2

Tool Operation

Note: Some longer connectors may need the following steps repeated with the tool being reapplied along the length of the assembly.

1. Spin the T-Handles counterclockwise until they reach the top of the Lifting Screws. (The Lifting Screws are locked in place and do not turn.) See Figure 3.
2. Open the movable Lifting Jaw by turning each Jaw Clamp Nut counterclockwise until the nut is close to the screw heads. (The screws are locked in place and do not turn.) See Figure 3.

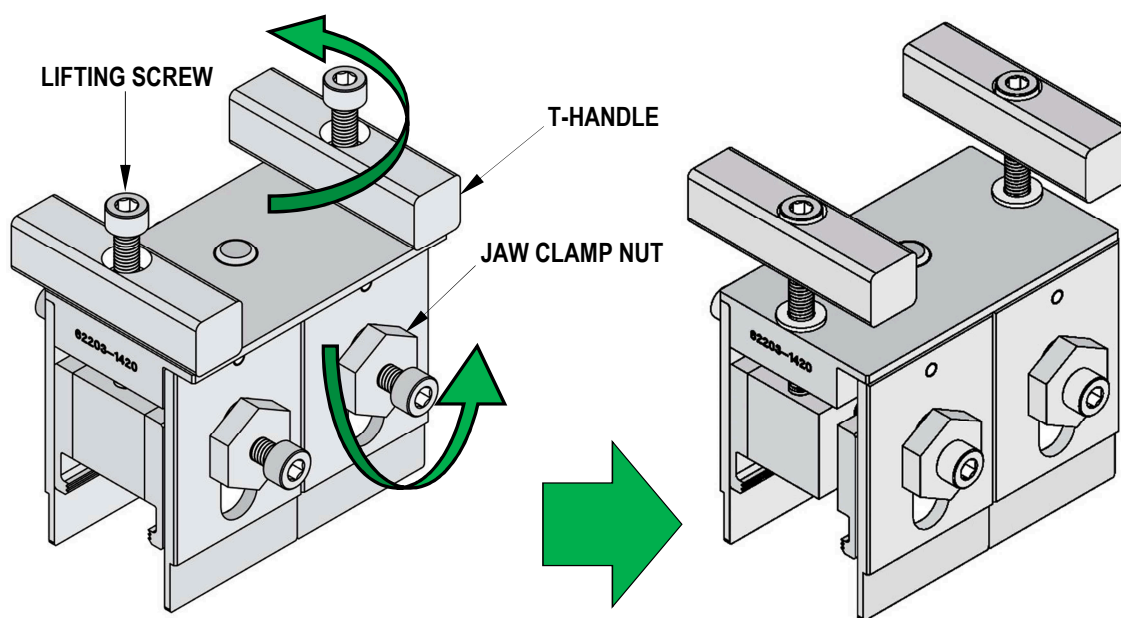
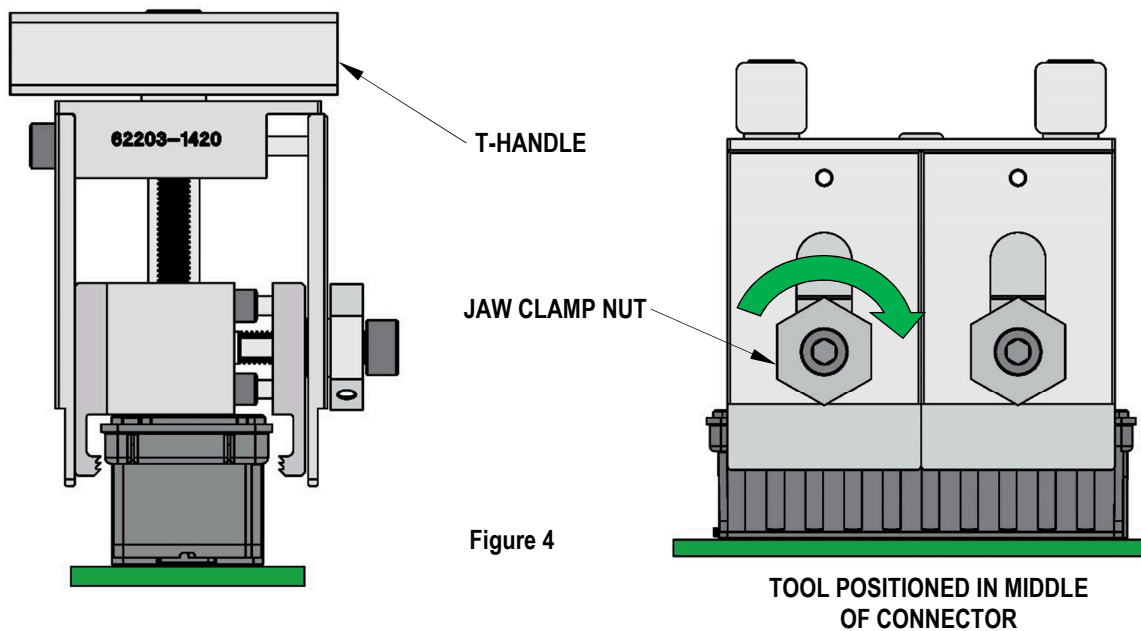


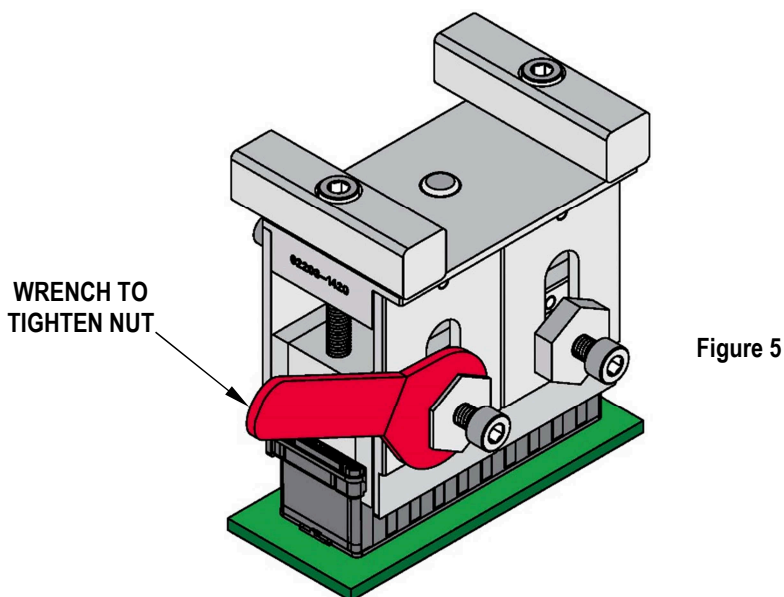
Figure 3

- Slide the Lifting Jaws down by pushing downward on the T-Handles until the T-Handles are resting on top of the Removal Tool. See Figure 4.
- Place the opened jaws on top of the connector housing, approximately in the middle of the connector's length, and start to close the jaws by turning each Jaw Clamp Nut clockwise by hand. See Figure 4.



- To firmly grip the connector, be sure to use the provided wrench to securely tighten each Jaw Clamp Nut. See Figure 5.

Note: Make sure the jaws are tightly clamped on the connector; otherwise, the jaws may slip during removal.



6. To remove the connector from the PCB, turn the T-Handles clockwise to raise the Lifting Jaws. See Figure 6.

Note: If the connector begins to lift out of the circuit board at an angle, stop turning the T-Handles, loosen each Jaw Clamp Nut and reposition the Removal Tool to the area of the connector that is still in the board.

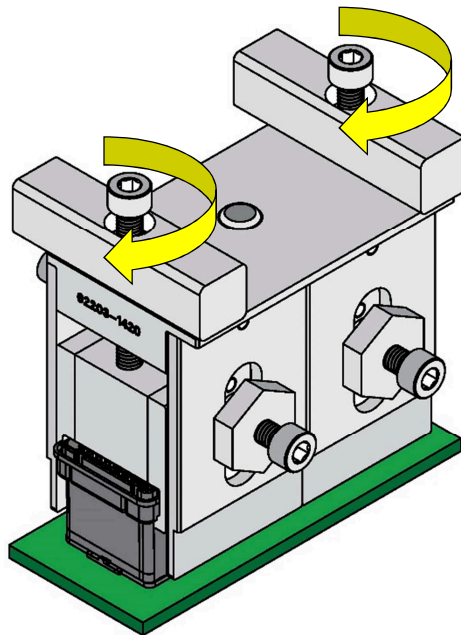


Figure 6

7. After the connector is removed from the printed circuit board, use the provided wrench to loosen each Jaw Clamp Nut to free the connector from the tool.
8. The removed connector cannot be reinserted and should be properly discarded.

Maintenance

It is recommended that each operator of the tool be made aware of and responsible for the following maintenance steps:

1. Remove dust, moisture and other contaminants with a clean brush or a soft, lint-free cloth.
2. Do not use any abrasive materials that could damage the tool.
3. Make certain all pins, pivot points and bearing surfaces are protected with a thin coat of high-quality machine oil. Do not oil excessively.
4. When the tool is not in use, store it in a clean, dry area.

CAUTION: Molex specifications are valid only when used with Molex terminals, applicators and tooling.

Application Tooling Support

Phone: (402) 458-TOOL (8665)

E-Mail: applicationtooling@molex.com

Website: www.molex.com/applicationtooling

Molex is a registered trademark of Molex, LLC in the United States of America and may be registered in other countries; all other trademarks listed herein belong to their respective owners.