



Chipsmall Limited consists of a professional team with an average of over 10 year of expertise in the distribution of electronic components. Based in Hongkong, we have already established firm and mutual-benefit business relationships with customers from,Europe,America and south Asia,supplying obsolete and hard-to-find components to meet their specific needs.

With the principle of “Quality Parts,Customers Priority,Honest Operation,and Considerate Service”,our business mainly focus on the distribution of electronic components. Line cards we deal with include Microchip,ALPS,ROHM,Xilinx,Pulse,ON,Everlight and Freescale. Main products comprise IC,Modules,Potentiometer,IC Socket,Relay,Connector.Our parts cover such applications as commercial,industrial, and automotives areas.

We are looking forward to setting up business relationship with you and hope to provide you with the best service and solution. Let us make a better world for our industry!



Contact us

Tel: +86-755-8981 8866 Fax: +86-755-8427 6832

Email & Skype: info@chipsmall.com Web: www.chipsmall.com

Address: A1208, Overseas Decoration Building, #122 Zhenhua RD., Futian, Shenzhen, China



CAM LOCK



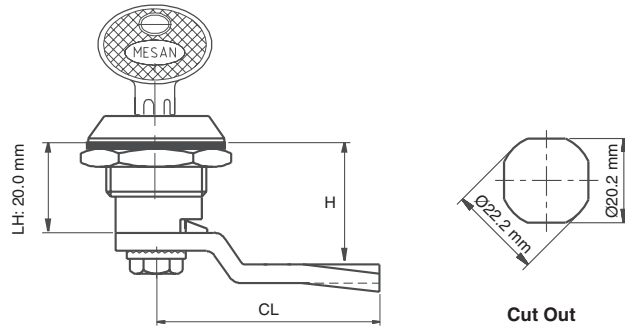
*Example with cam. Cam sold separately.

Specifications

- Material:
Housing: Zinc Alloy (Zamak) DIN-EN 1774-ZnAl4Cu1 or PA6 GFR 30
Cam: Steel or Plastic
Gasket: Rubber
- Finish: Chrome or Black coated

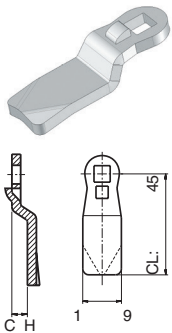
Features

- Quarter-turn operation
- Body length 20.5mm (please be sure to order appropriate cam)
- Available in all die-cast zinc alloy or with polyamide housing



Zinc Alloy / Chrome	Item Number Zinc Alloy / Black	Nylon / Black	Driver	Cam
063110100	063120100	063200100	Keyed alike	Select Cam Below

Steel Cam



Material: Steel
Finish: Zinc plated
Thickness: 4 mm

Item Number	CH (mm)	CL (mm)	H (mm)
30403033	0	45	20
30403439	1	45	21
30403159	2	45	22
30403063	3	45	23
30403149	4	45	24
30403160	6	45	26
30403161	8	45	28
30403162	10	45	30
30403045	12	45	32
30403163	14	45	34
30403151	16	45	36
30403165	18	45	38

Item Number	CH (mm)	CL (mm)	H (mm)
30403166	20	45	40
30403167	22	45	42
30403168	24	45	44
30403169	-2	45	18
30403170	-4	45	16
30403171	-6	45	14
30403172	-8	45	12
30403173	-10	45	10
30403174	-12	45	8
30403175	-14	45	6

Nylon Cam



Item Number	CH (mm)	CL (mm)	H (mm)
30402004	0	35	18.5
30402011	0	25	18.5
30402005	6	35	24.5
30402008	4	45	22.5
30402013	-4	45	14.5