



Chipsmall Limited consists of a professional team with an average of over 10 year of expertise in the distribution of electronic components. Based in Hongkong, we have already established firm and mutual-benefit business relationships with customers from,Europe,America and south Asia,supplying obsolete and hard-to-find components to meet their specific needs.

With the principle of "Quality Parts,Customers Priority,Honest Operation,and Considerate Service",our business mainly focus on the distribution of electronic components. Line cards we deal with include Microchip,ALPS,ROHM,Xilinx,Pulse,ON,Everlight and Freescale. Main products comprise IC,Modules,Potentiometer,IC Socket,Relay,Connector.Our parts cover such applications as commercial,industrial, and automotives areas.

We are looking forward to setting up business relationship with you and hope to provide you with the best service and solution. Let us make a better world for our industry!



## Contact us

Tel: +86-755-8981 8866 Fax: +86-755-8427 6832

Email & Skype: info@chipsmall.com Web: www.chipsmall.com

Address: A1208, Overseas Decoration Building, #122 Zhenhua RD., Futian, Shenzhen, China



**PLEASE CHECK WWW.MOLEX.COM FOR LATEST PART INFORMATION**

**Part Number:** [63806-0600](#)  
**Status:** **Active**  
**Description:** Mini-Mac™ Applicator Rear Feed

**Documents:**  
[RoHS Certificate of Compliance \(PDF\)](#)

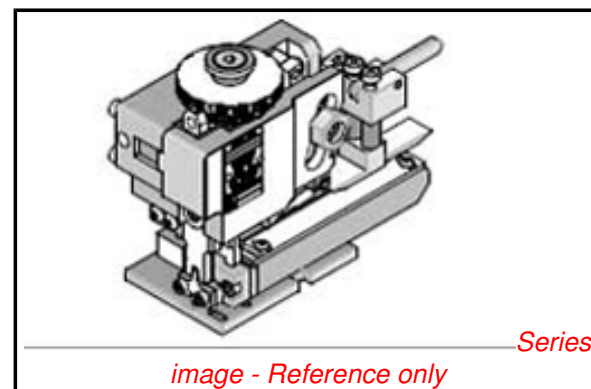
**General**

Product Family	Application Tooling
Series	<a href="#">T1101</a>
Comments	See Tooling Specification (PDF) Above
Function	Crimp
Geographic Area	Global
Level of Automation	Semi-Automatic
More Detailed Tech Information	<a href="mailto:applicationtooling@molex.com">applicationtooling@molex.com</a>
Product Name	Mini-Mac™
Survey	<a href="http://www.molex.com//review/apptool_survey.html">www.molex.com//review/apptool_survey.html</a>
Tool Type	Mini-Mac Applicator
UPC	884982246225

**Material Info**

**Reference - Drawing Numbers**

Application Tooling Documents	ATS-638060600
-------------------------------	---------------



<b>EU RoHS</b>	<b>China RoHS</b>
<b>Compliance Status</b>	
<b>Not Reviewed</b>	
<b>REACH SVHC</b>	
<b>Not Reviewed</b>	
<b>Low-Halogen Status</b>	
<b>Not Reviewed</b>	

**Need more information on product environmental compliance?**

Email [productcompliance@molex.com](mailto:productcompliance@molex.com)  
 For a multiple part number RoHS Certificate of Compliance, [click here](#)

Please visit the [Contact Us](#) section for any non-product compliance questions.

**Search Parts in this Series**

[T1101Series](#)

**Use With**

[94512](#) Quick Disconnect, High Reliability Terminal (HRT), Female for 0.50-1.00mm<sup>2</sup> Wire

<b>Application Tooling</b>	<b>FAQ</b>
<b>Description</b>	<b>Product #</b>

Quick Disconnect, High Reliability Terminal (HRT), Female for (0.50-1.00mm <sup>2</sup> ) 18-24 AWG Wire, Accepts 6.35 x 0.81mm Tab , Unplated	0945120100
Quick Disconnect, High Reliability Terminal (HRT), Female for (0.50-1.00mm <sup>2</sup> ) 18-24 AWG Wire,	0945120101

This document was generated on 03/08/2013

**PLEASE CHECK [WWW.MOLEX.COM](http://WWW.MOLEX.COM) FOR LATEST PART INFORMATION**