



Chipsmall Limited consists of a professional team with an average of over 10 year of expertise in the distribution of electronic components. Based in Hongkong, we have already established firm and mutual-benefit business relationships with customers from,Europe,America and south Asia,supplying obsolete and hard-to-find components to meet their specific needs.

With the principle of “Quality Parts,Customers Priority,Honest Operation,and Considerate Service”,our business mainly focus on the distribution of electronic components. Line cards we deal with include Microchip,ALPS,ROHM,Xilinx,Pulse,ON,Everlight and Freescale. Main products comprise IC,Modules,Potentiometer,IC Socket,Relay,Connector.Our parts cover such applications as commercial,industrial, and automotives areas.

We are looking forward to setting up business relationship with you and hope to provide you with the best service and solution. Let us make a better world for our industry!



Contact us

Tel: +86-755-8981 8866 Fax: +86-755-8427 6832

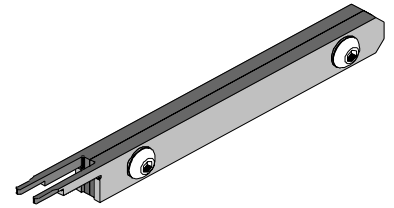
Email & Skype: info@chipsmall.com Web: www.chipsmall.com

Address: A1208, Overseas Decoration Building, #122 Zhenhua RD., Futian, Shenzhen, China





Extractor Tool Instruction Sheet Order No. 63813-0400 Mini-Fit Sr. Terminal



This tool is a hand tool designed to extract the male and female Mini-Fit Sr. terminals (42815 and 42817 Series) from their appropriate housings. This tool measures 9.5mm (.38") square by 101.6 mm (4.0") long and weights about .050 kg (1.7 oz).

OPERATION:

1. Remove the TPA
2. Insert the tool into the housing as shown in Figure 1.
3. Use the slots located inside of the housing to guide the extraction tool into the housing.
4. Continue to insert the tool until tabs on the sides of the housing are pushed aside (tool bottoms). Male terminal is shown in Figure 2, the alignment for the female is the same.
5. Gently pull the wire out of the housing once the tabs are pushed apart.

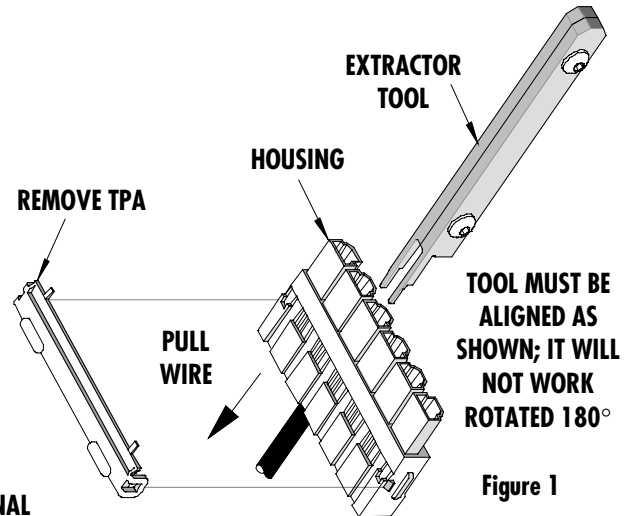


Figure 1

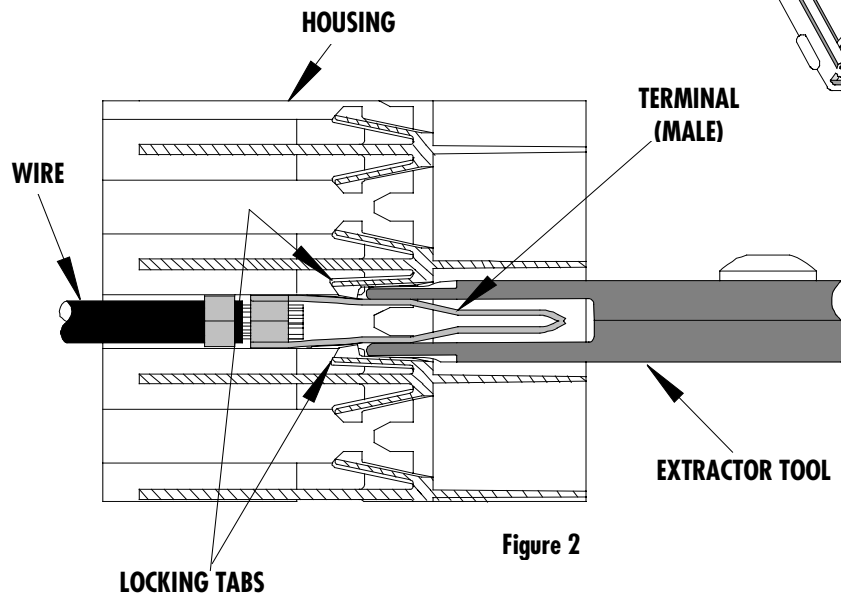


Figure 2

Molex Application Tooling Group

2200 Wellington Court
Lisle, IL 60532
Tel: (630) 969-4550
Fax: (630) 505-0049

Visit our Web site at <http://www.molex.com>