



Chipsmall Limited consists of a professional team with an average of over 10 year of expertise in the distribution of electronic components. Based in Hongkong, we have already established firm and mutual-benefit business relationships with customers from,Europe,America and south Asia,supplying obsolete and hard-to-find components to meet their specific needs.

With the principle of “Quality Parts,Customers Priority,Honest Operation,and Considerate Service”,our business mainly focus on the distribution of electronic components. Line cards we deal with include Microchip,ALPS,ROHM,Xilinx,Pulse,ON,Everlight and Freescale. Main products comprise IC,Modules,Potentiometer,IC Socket,Relay,Connector.Our parts cover such applications as commercial,industrial, and automotives areas.

We are looking forward to setting up business relationship with you and hope to provide you with the best service and solution. Let us make a better world for our industry!



## Contact us

Tel: +86-755-8981 8866 Fax: +86-755-8427 6832

Email & Skype: info@chipsmall.com Web: www.chipsmall.com

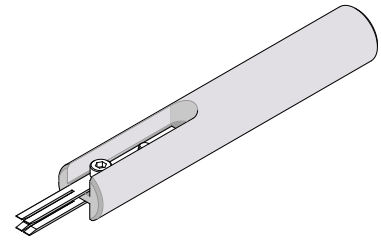
Address: A1208, Overseas Decoration Building, #122 Zhenhua RD., Futian, Shenzhen, China



**Sabre™  
Extractor Tool**



**Application Tooling  
Specification Sheet**



**Order No. 63813-0800**

**FEATURES**

- This Extractor Tool is for the removal of male Sabre™ Crimp Terminals from their appropriate housings
- Tool dimensions: 16mm (0.63in) diameter by 120mm (4.7in) long; weighs 48g (1.7oz)

**SCOPE**

Products: Sabre™ Male Crimp Terminals, 14–20 AWG

Terminal Series No.	Housing Series No.	Terminal Order No.					
		43178-1001	43178-1002	43178-1003	43178-2001	43178-2002	43178-2003
43178	43680	43178-3001	43178-3002	43178-3003	43178-4001	43178-4002	43178-4003
		43178-5001	43178-5002	43178-5003	43178-6001	43178-6002	43178-6003

**OPERATION:**

1. Deactivate the TPA using tool number 63813-0600.
2. Place the Extraction tool into the housing as shown in Figure 1. The tool will fit only one way.

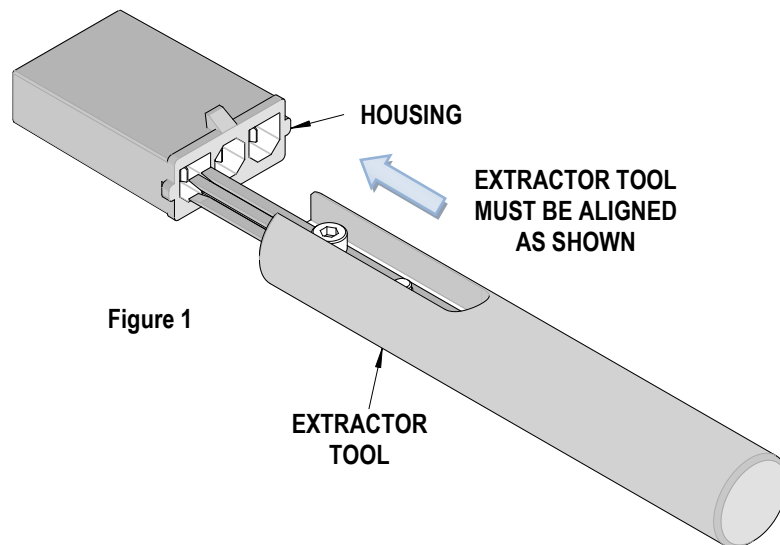


Figure 1

3. Use the slots located inside of the housing to guide the extraction tool into the housing.
4. Continue to insert the tool until the tool stops in the housing. Gently pull the wire and terminal out of the housing. See Figure 2.
5. After the terminal is extracted, it should not be re-inserted. A new terminal should be crimped on the wire.

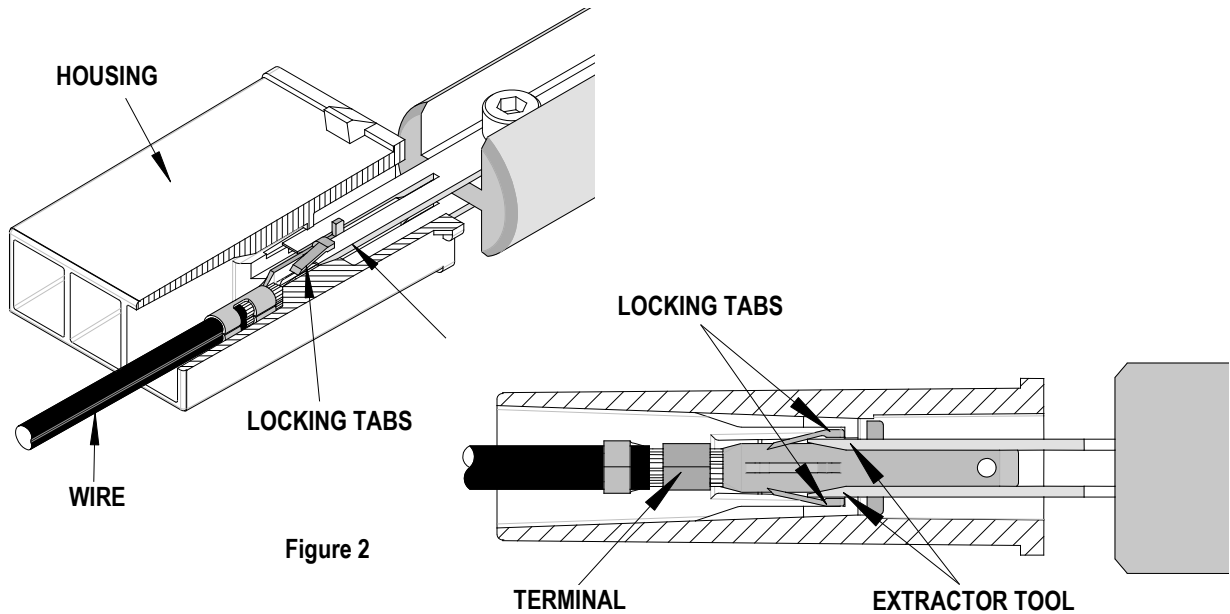


Figure 2

**CAUTION:** This extractor tool should be used to extract the terminal only. Using it for unintended purposes may cause injury or damage to parts.

**CAUTION:** Molex specifications are valid only when used with Molex terminals, applicators and tooling.

Molex does not offer repair parts for Extractor Tools due to the inexpensive nature of these tools.

### Contact Information

For more information on Molex application tooling please contact Molex at 1-800-786-6539.

Visit our Web site at <http://www.molex.com>