



Chipsmall Limited consists of a professional team with an average of over 10 year of expertise in the distribution of electronic components. Based in Hongkong, we have already established firm and mutual-benefit business relationships with customers from,Europe,America and south Asia,supplying obsolete and hard-to-find components to meet their specific needs.

With the principle of “Quality Parts,Customers Priority,Honest Operation,and Considerate Service”,our business mainly focus on the distribution of electronic components. Line cards we deal with include Microchip,ALPS,ROHM,Xilinx,Pulse,ON,Everlight and Freescale. Main products comprise IC,Modules,Potentiometer,IC Socket,Relay,Connector.Our parts cover such applications as commercial,industrial, and automotives areas.

We are looking forward to setting up business relationship with you and hope to provide you with the best service and solution. Let us make a better world for our industry!



Contact us

Tel: +86-755-8981 8866 Fax: +86-755-8427 6832

Email & Skype: info@chipsmall.com Web: www.chipsmall.com

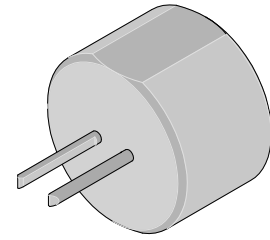
Address: A1208, Overseas Decoration Building, #122 Zhenhua RD., Futian, Shenzhen, China



**Extractor Tool
HD-50423-1**



**Application Tooling
Specification Sheet**



Order No. 63813-2450

FEATURES

- This Extractor Tool is for the removal of 64322 Series female terminals from CMC connector.

SCOPE

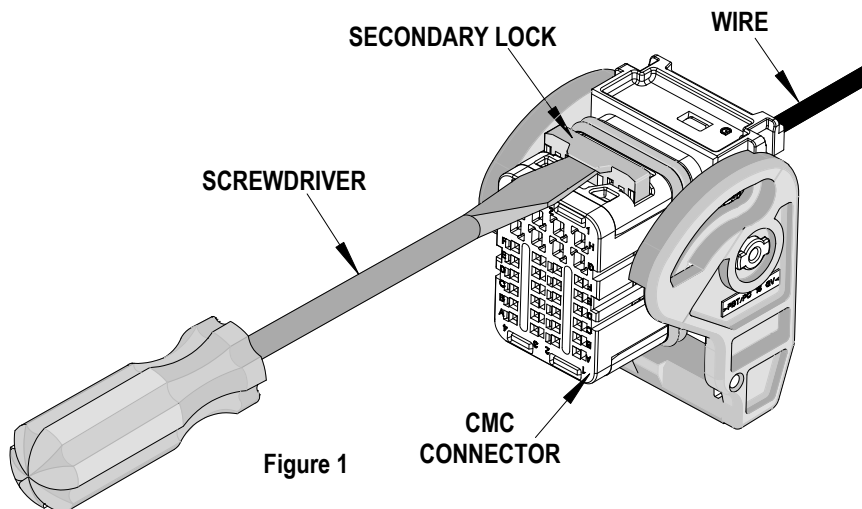
Products: 0.6mm (.02") CP Crimp Female Terminal for Power CMC Receptacle.

Terminal Series No.	Terminal Order No.		Housing Series No.
64322	64322-1019	64322-1229	64318, 64319,
	64322-1029	64322-1319	64326,
	64322-1219	64322-1329	64320 and 64321

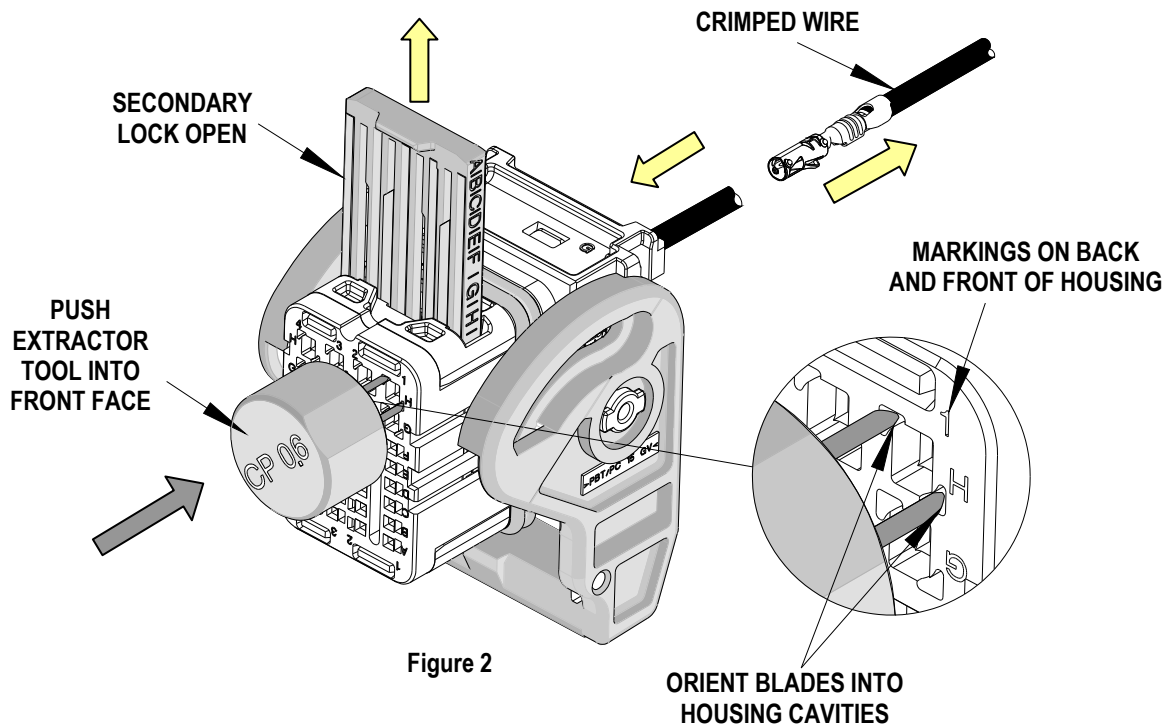
OPERATION:

When removing a damaged crimped wire from the CMC connector follow the steps below:

1. The secondary lock on the CMC connector will need to be opened first. See Figure 1.
2. Using a screwdriver insert the flat edge under the tab of the secondary lock and pull up. Use your fingers to open the lock completely.



3. Position the blades of the extraction tool into the two small cavities of the slot in the front face of the housing as shown in Figure 2. Use the identifying markings on both the front and back of the connector to locate the opening used to extract the crimped wire.



4. Push extractor tool into the desired slot until it clicks or comes to a stop. Do not force the extractor tool any further or there can be damage to the housing.
5. Gently push the wire forward towards the housing and then pull out of the CMC housing.
6. Molex does not offer repair parts for Extractor Tools due to the inexpensive nature of these tools.

<http://www.molex.com>