



Chipsmall Limited consists of a professional team with an average of over 10 year of expertise in the distribution of electronic components. Based in Hongkong, we have already established firm and mutual-benefit business relationships with customers from,Europe,America and south Asia,supplying obsolete and hard-to-find components to meet their specific needs.

With the principle of “Quality Parts,Customers Priority,Honest Operation,and Considerate Service”,our business mainly focus on the distribution of electronic components. Line cards we deal with include Microchip,ALPS,ROHM,Xilinx,Pulse,ON,Everlight and Freescale. Main products comprise IC,Modules,Potentiometer,IC Socket,Relay,Connector.Our parts cover such applications as commercial,industrial, and automotives areas.

We are looking forward to setting up business relationship with you and hope to provide you with the best service and solution. Let us make a better world for our industry!



Contact us

Tel: +86-755-8981 8866 Fax: +86-755-8427 6832

Email & Skype: info@chipsmall.com Web: www.chipsmall.com

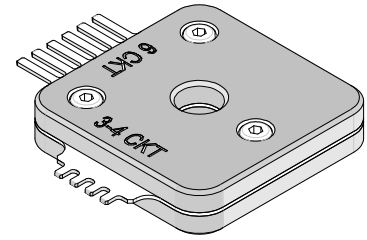
Address: A1208, Overseas Decoration Building, #122 Zhenhua RD., Futian, Shenzhen, China



Extractor Tool



**Application Tooling
Specification Sheet**



Order No. 63813-9200

FEATURES

- This Extractor Tool is for the removal of the MOX 0.635 crimp terminals from the 3 and 4 Way MOX Receptacle Housing (FFC Version), Series 98493.

SCOPE

Products: 2.54mm (.100") Pitch MOX FFC/FPC Crimp Terminal in 3 and 4 Way MOX Receptacle Housings (FFC versions).

Terminal Series No.	Terminal Order No.	Housing Series No.	Housing Order No.				
98194	98194-1211 98194-1221	98493	3 Way	98493-0031	98493-0032	98493-0033	98493-0034
				98493-0035	98493-0036		
			4 Way	98493-0041	98493-0042	98493-0043	98493-0044
				98493-0045	98493-0046		

OPERATION:

1. To remove a 3 or 4 way circuit crimped flex wire from the housing use the side of the extractor or tool marked: "3-4 CKT".
2. Push the terminals and the flex wire forward in the arrow direction before using this Tool.
3. Insert the fingers of the extractor tool into the rectangular slots in the housing above the locking tang of the terminals. See Figure 1.
4. Push the tool down until the locking tangs are even with the rest of the terminals. This will free the terminals from the housing.
5. Holding the extractor tool against the housing, gently pull out the row of crimped terminals and flex wire from the housing. See Figure 2.

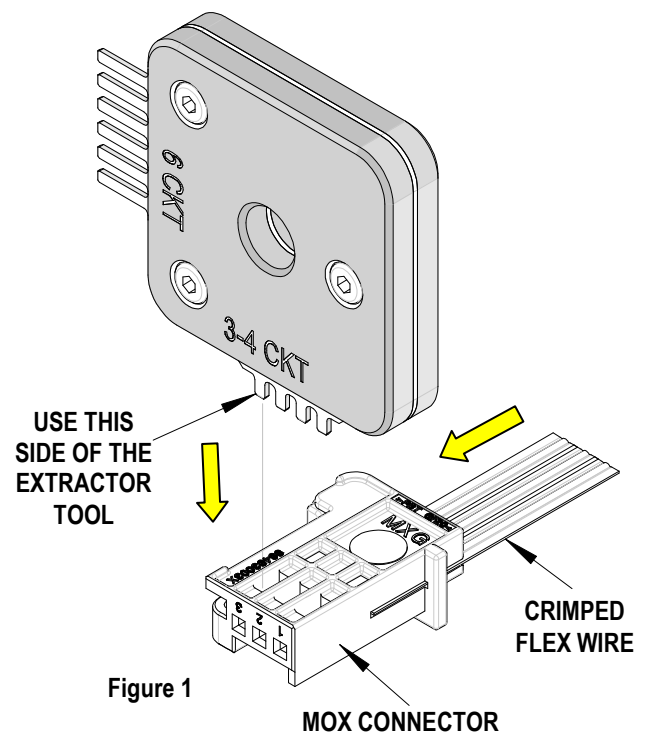
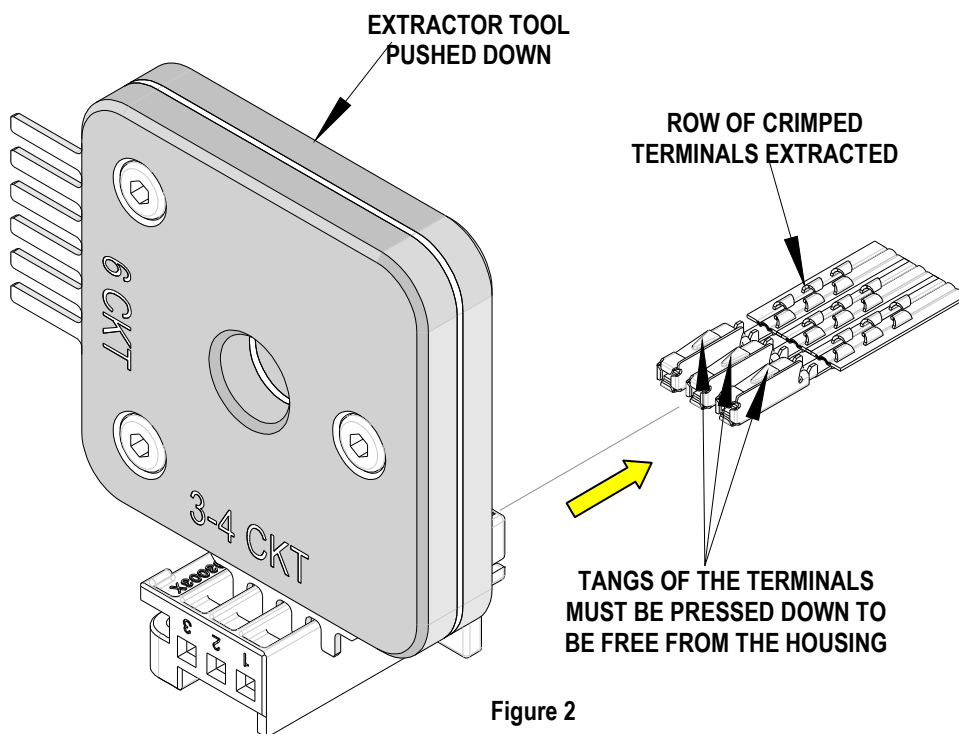


Figure 1



Warning: Terminals can not be replaced on the flat flexible cable.

Molex does not offer repair parts for Extractor Tools due to the inexpensive nature of these tools.

CAUTION: Molex specifications are valid only when used with Molex terminals and tooling.

Visit our Web site at <http://www.molex.com>