



Chipsmall Limited consists of a professional team with an average of over 10 year of expertise in the distribution of electronic components. Based in Hongkong, we have already established firm and mutual-benefit business relationships with customers from,Europe,America and south Asia,supplying obsolete and hard-to-find components to meet their specific needs.

With the principle of "Quality Parts,Customers Priority,Honest Operation,and Considerate Service",our business mainly focus on the distribution of electronic components. Line cards we deal with include Microchip,ALPS,ROHM,Xilinx,Pulse,ON,Everlight and Freescale. Main products comprise IC,Modules,Potentiometer,IC Socket,Relay,Connector.Our parts cover such applications as commercial,industrial, and automotives areas.

We are looking forward to setting up business relationship with you and hope to provide you with the best service and solution. Let us make a better world for our industry!



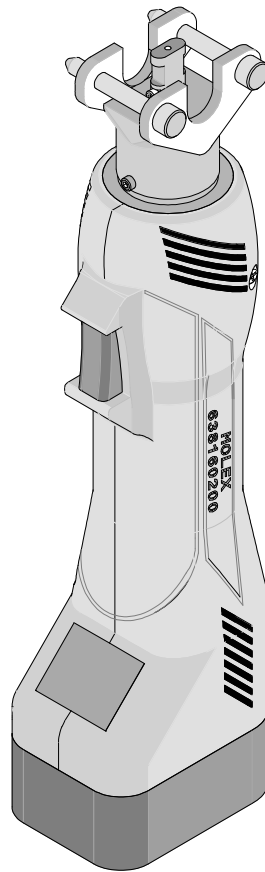
Contact us

Tel: +86-755-8981 8866 Fax: +86-755-8427 6832

Email & Skype: info@chipsmall.com Web: www.chipsmall.com

Address: A1208, Overseas Decoration Building, #122 Zhenhua RD., Futian, Shenzhen, China





molex[®]

BATTERY POWERED CRIMPING TOOL

Operation Manual


Order No. 63816-0200 (110 V)




Order No. 63816-0250 (220 V)













Table of Contents





BATTERY POWERED CRIMPING TOOL.....	1
Safety Warnings and Information	3
SECTION 1	7
Description.....	7
1.1. Features.....	7
1.2. Technical Specifications	8
1.3. Delivery Check.....	8
SECTION 2	9
Power Crimp Heads and Adapters.....	9
2.1 Comparison Chart - Hand and Power Crimp Tools.....	10
2.2 63816-0600 Power Crimp Adapter for Type 4A Hand Crimp Tools	11
2.3 63816-0300 Power Crimp Head for Type 2C and 4C Hand Crimp Tools	13
2.4 63816-0800 Power Crimp Head for Type 4D Hand Crimp Tools.....	15
2.5 63816-0900 Power Adapter for Type AT Air Crimp Heads	18
SECTION 3	20
Set-Up and Adjustments	20
3.1 Set-Up.....	21
3.2 Operation	22
3.3 Preventive Instructions	23
SECTION 4	24
General Terminal Specifications and Crimping Operation	24
4.1 Scope.....	25
4.2 Crimping Terminals.....	25
SECTION 5	26
Preventive Maintenance	26
5.1 Periodic Cleaning.....	27
5.2 Battery and Charging Unit.....	28
5.3 Disposal	29
5.4 Warranty	29
SECTION 6	30
Parts List, Assembly Drawings, and Troubleshooting.....	30
6.1 Parts List and Assembly Drawings	31
6.2 Troubleshooting.....	33

Safety Warnings and Information

	<p>Read and understand all of the instructions and safety information in this manual before operating or servicing this tool.</p> <p>Keep this manual available when using this tool. Replacement manuals are available for download at no charge at www.molex.com.</p>
---	---

SAFETY ALERT SYMBOL	
<p>This symbol is used to call your attention to hazards or unsafe practices which could result in an injury or property damage. The signal word, defined below, indicates the severity of the hazard. The message after the signal word provides information for preventing or avoiding the hazard.</p>	
 DANGER	<p>DANGER: Indicates an imminently hazardous situation which, if not avoided, could result in death or serious injury.</p>
 WARNING	<p>WARNING: Indicates a potentially hazardous situation which, if not avoided, could result in death or serious injury.</p>
 CAUTION	<p>CAUTION: Indicates a potentially hazardous situation which, if not avoided, may result in minor or moderate injury. CAUTION may also be used to alert against unsafe practices associated with events that could lead to personal injury.</p>

	<p> WARNING</p> <p>Always wear proper eye protection when Operating or servicing this tool.</p> <p>Failure to wear eye protection could result in serious eye injury from flying debris or hydraulic oil.</p>		<p> WARNING</p> <p>Always wear proper ear protection when Operating or servicing this tool.</p>
	<p> WARNING</p> <p>Never wear clothing or jewelry that is loose or That could potentially get caught in this tool.</p> <p>Failure to observe this warning could result in Severe Injury or death.</p>		<p> WARNING</p> <p>Electric shock hazard:</p> <p>This tool is not insulated. When using this unit near energized electrical lines, use proper personal protective equipment.</p> <p>Failure to observe this warning could result in severe injury or death</p>
	<p> WARNING</p> <p>Never operate, service, install, or adjust this tool without proper instruction and without first reading and understanding the instructions in this manual and all applicable manuals.</p>		<p> WARNING</p> <p>Pinch points:</p> <p>Keep hands away from the crimping head when crimping.</p> <p>Failure to observe this warning could result In severe injury or death.</p>

	<p>WARNING</p> <p>Do not use solvents or flammable liquids to clean the crimping tool.</p> <p>Solvents or flammable liquids could ignite and cause serious injury or property damage.</p>		<p>WARNING</p> <p>Do not use compressed air to clean this tool. The forces created by compressed air can force debris into the tool.</p> <p>Failure to observe these precautions may result in injury or property damage.</p>
	<p>WARNING</p> <p>Do not dispose of the battery in a fire. It will vent fumes and may explode.</p> <p>Failure to observe this warning could result in severe injury from harmful fumes or burns from flying debris</p>		<p>WARNING</p> <p>Inspect tool and dies before use. Replace any worn or damaged parts. A damaged or improperly assembled tool can break and strike someone nearby.</p> <p>Failure to observe this warning could result in severe injury or death.</p>
<p>CAUTION</p>			
<ul style="list-style-type: none"> ▪ Do not operate the tool without the dies. Damage to the ram or crimping head can result. ▪ Do not operate with the crimping head open. Damage to the ram or seals can result. ▪ This tool is not designed for continuous use. After 100 crimping cycles, allow the crimping tool to cool down for 15 minutes. ▪ Do not place the tool in a vise. The crimping tool is designed for hand-held operation only. ▪ This tool may be used in damp or wet environments; however, we recommend air-drying the tool before use if it becomes soaked. ▪ Use this tool for the manufacturer's intended purpose only. ▪ Failure to observe these precautions may result in injury or property damage 			
<p>CAUTION</p>			
<ul style="list-style-type: none"> ▪ Do not allow anything to contact the battery's terminals. ▪ Do not immerse the battery in liquid. Liquid may create a short circuit and damage the battery. ▪ If the battery is immersed, contact your service center for proper handling. ▪ Do not place the battery into a pocket, tool pouch, or tool box with conductive objects. ▪ Conductive objects may create a short circuit and damage the battery. ▪ Do not place a battery on moist ground or grass. Moisture may create a short circuit and damage the battery. <p>Failure to observe these precautions may result in injury or property damage.</p>			
<p>CAUTION</p>			
<ul style="list-style-type: none"> ▪ Do not store the battery at more than 60 °C (140 °F). Damage to the battery can result. ▪ Do not use another manufacturer's charger. Other manufacturers' chargers may overcharge and damage the battery. ▪ Do not attempt to open the battery. It contains no user-serviceable parts. ▪ Failure to observe these precautions may result in injury or property damage. 			
<p>CAUTION</p>			
<p>Never perform any service or maintenance other than as described in this manual.</p> <p>Never modify, alter or misuse the equipment</p> <p>Molex crimp specifications are valid only when used with Molex terminals, applicators and tooling.</p> <p>Failure to observe this precaution may result in injury and property damage.</p>			

Tooling Technical Assistance

Molex offers tooling technical assistance for customers who may need some guidance for tooling adjustments. This support can be obtained by calling either of the two numbers listed below and asking for the Molex Tooling Group. Call Toll Free 1-800-786-6539 (US) 1-630-969-4550 (Global).

This assistance is limited to the operation and set-up of a customer's Molex tool. Questions with regard to Molex connector products or how to identify the proper tooling and/ or tooling documentation should be directed to your local Molex personnel or Customer Service Representative.

When calling for service on this tool, a copy of the Tooling Manual and Specific Application Tooling Specification (ATS) Sheet should be present and a person that is familiar with this tool should be present. Be sure the following information is supplied:

1. Customer name
2. Customer address
3. Person to contact such as (name, title, e-mail, and telephone number)
4. Power tool order number (Lease number also if applicable)
5. Serial number (Lease number also if applicable)
6. Molex Connector product order number
7. Urgency of request
8. Nature of problem

Molex Application Tooling Group

2200 Wellington Court
Lisle, IL 60532, USA
Tel: +1 (630) 969-4550
Fax: +1 (630) 505-0049

Visit our Web site at <http://www.molex.com>

Table of Contents

SECTIONS

1. General Description
2. Power Crimp Heads and Adapters
3. Set-up and Adjustments
4. Terminal Specifications and Crimping Operation
5. Preventive Maintenance
6. Parts List, Assembly Drawing, and Troubleshooting

SECTION 1

Principal Mechanical Parts of the 63816-0200 (110 V) and the 63816-0250 (220 V) Battery Powered Tool. Battery charger not shown.

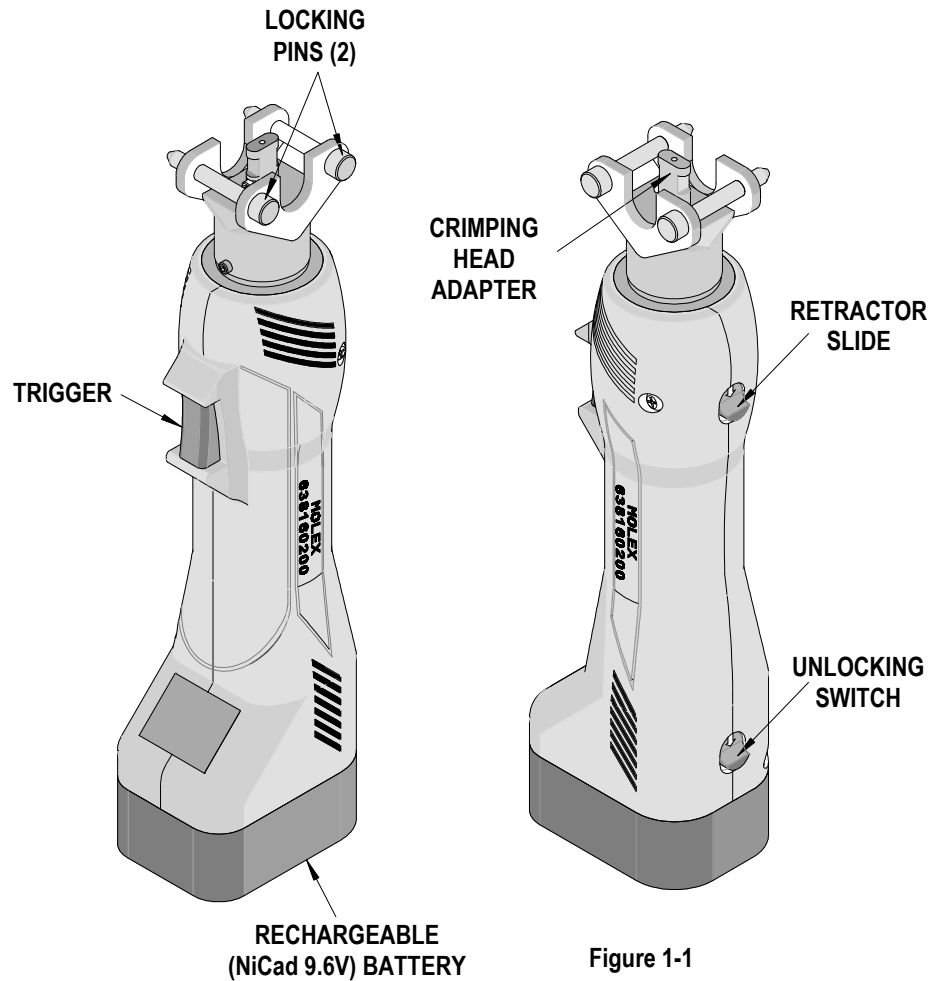


Figure 1-1

Description

The Molex Battery Powered Tool is designed to crimp terminals with the use of interchangeable modular crimp heads or power crimp heads, and tool kits. This tool has an automatic retractable system which returns the crimping adapter along with the crimping dies to the starting position when the maximum force is reached. It is equipped with a special brake that will stop the forward motion of the crimping dies when the trigger is released. The crimping head can be rotated 360° for better access in difficult working situations.

1.1. Features

- Crimps a wide range of products with interchangeable modular crimp heads or power crimp heads, and tool kits, which reduce the overall cost and provide production flexibility.
- Modular crimp heads or power crimp head and dies are easily and quickly interchanged to reduce production down time.
- Complete portable system that allows tool to be moved and stored easily.

1.2. Technical Specifications

Dimensions (with battery)

Length	292.1mm (11.50")
Width	76.2mm (3.00")
Depth	50.8mm (2.00")
Unpacked Weight	1.50kg (3.31lbs)

Production Rate

250 cycles per hour maximum, depending on operator skill and tool kit installed.

Battery

Voltage	9.6V
Capacity	1.3 Ah
Charging Time	Approximately 40 minutes, about 15 minutes with fast-charger
Crimps/battery-charge	150 at 10mm ²

Operating Parameters

Maximum Force	15kN (1.7 tonne-force)
Cycle Time	2.0 seconds
Stroke Length	9.00mm (.354")
Ambient Temperature	-20°C to +40°C
Sound Level	75dB (A) in a distance of 1.0m
Vibrations	<2.5m/s ²

1.3 Delivery Check

Carefully remove the Battery Powered Tool from its shipping container and determine that the following items are included in the package.

For the 63816-0200 (110 V):

- ✓ 63816-0200 Battery Crimping Tool
- ✓ 63816-0202 Battery Unit (2)
- ✓ 63816-0210 Battery Charger
- ✓ Carrying Case
- ✓ TM-638160200 Operation Manual

For the 63816-0250 (220 V):



- ✓ 63816-0250 Battery Crimping Tool
- ✓ 63816-0202 Battery Unit (2)
- ✓ 63816-0260 Battery Charger
- ✓ Carrying Case
- ✓ TM-638160200 Operation Manual

SECTION 2

Power Crimp Heads and Adapters

- 2.1 Comparison Chart - Hand and Power Tools
- 2.2 63816-0600 Power Crimp Adapter for Type 4A Hand Crimp Tools
- 2.3 63816-0300 Power Crimp Head for Type 2C and 4C Hand Crimp Tools
- 2.4 63816-0800 Power Crimp Head for Type 4D Hand Crimp Tools
- 2.5 63816-0900 Adapter for Type AT Air Crimp Tools (with 64005-0000 Head for Type RHT Hand Crimp Tools)

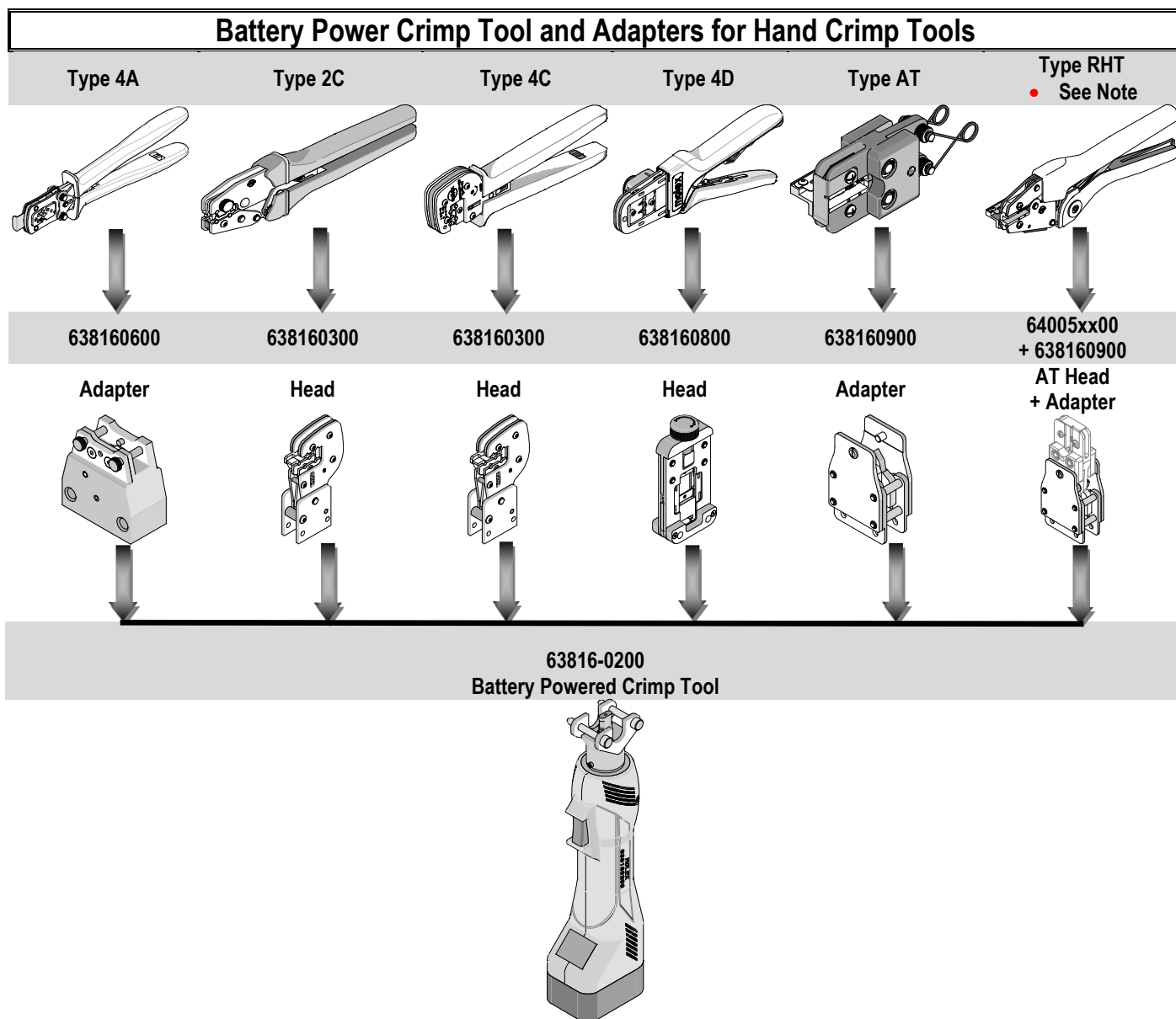
NOTE: Hand Crimp tool “Type” with a pictorial illustration, is displayed on the upper right corner of the Hand Crimp Tool Specification Sheet (ATS) and in the following pages of this manual.

<h1>Comparison Chart</h1>		
	<h2>Battery Power and Crimp Hand Tools</h2>	

2.1 Comparison Chart - Hand and Power Crimp Tools

SCOPE

Modular crimp heads, power crimp head, adapters, and dies are easily and quickly interchanged between the hand crimp tools and the battery powered tools. See chart below.



• **NOTE:** Un-tooled AT heads are not available separately. Customers can install RHT Tooling into one of their existing AT heads. Caution must be taken as the markings on the AT head will not match the tooling from an RHT tool for a different terminal.

63816-0600 Power Crimp Adapter		 TYPE 4A
	Application Tooling	
For Type 4A Hand Crimp Tools		

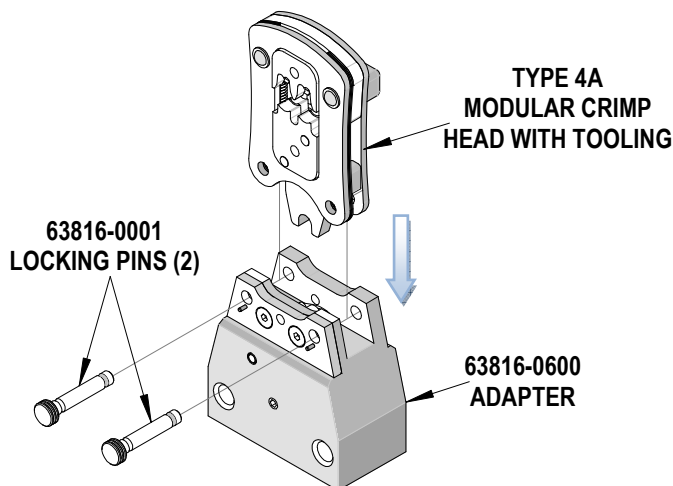
2.2 63816-0600 Power Crimp Adapter for Type 4A Hand Crimp Tools

Scope

The **63816-0600** Power Crimp Adapter was created for use with the **Type 4A** Modular Crimp Heads when used with the Battery Powered Tool (Order No. 63816-0200).

Installation of Type 4A Modular Crimp Heads onto Power Crimp Adapter

To mount the Type 4A Modular Crimp Heads to the 63816-0600 Modular Crimp Adapter, slide the locking pins outward until they stop. Then place the crimp head in the upper slot and align the holes with the pins. Then, push in the pins until they lock. See Figure 2-1.



Installation of Type 4A Power Crimp Adapter to Battery Powered Crimping Tool

To install the 63816-0600 Power Crimp Adapter onto the 63816-0200 Battery Powered Tool, refer to Section 3, "Set-Up and Adjustments".

Operation

1. Load the terminal as described in the Operation section of the specification sheet for the tool.
2. Cycle the Battery Powered Tool to crimp the terminal to the wire. Hold the trigger until the tool completes the cycle.
3. Remove the crimped terminal from the terminal locator by pressing down on the wire stop and gently pulling on the wire. The terminal locator can be in either position.
4. Visually inspect the crimped terminal for proper crimp location.

 **WARNING:** Never place fingers into the tooling nest.

Maintenance

It is recommended that each operator of the tool be made aware of, and responsible for, the following maintenance steps:

1. This tool was engineered for durability, but like any fine piece of equipment, it needs cleaning and lubrication for a maximum service life of trouble-free crimping
2. Remove dust, moisture and other contaminants with a clean brush, or soft, lint-free cloth.
3. Do not use any abrasive materials that could damage the tool.
4. Make certain all pins, pivot points and bearing surfaces in the tool head are protected with a thin coat of high quality machine oil. Do not oil excessively. Use light oil, such as SAE 30 weight automotive oil, every 5,000 crimps or monthly, will significantly enhance the tool life and ensure a stable calibration. See Figure 2-2 for lubrication points.
5. Store the tool in a clean and dry area when not in use.

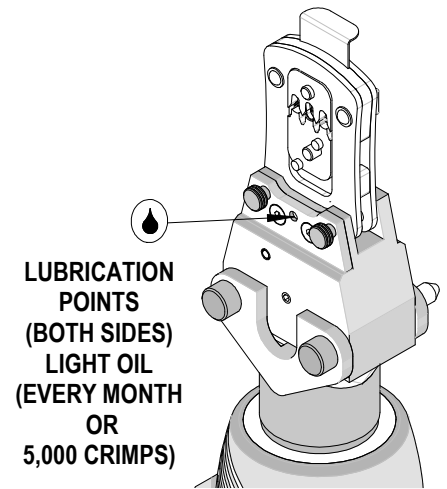


Figure 2-2

Warranty

This tool is for electrical terminal crimping purposes only. This tool is made of the best quality materials. All vital components are long life-tested. All tools are warranted free of manufacturing defects for a period of **30 days**. Should such a defect occur, we will repair or exchange the tool if it cannot be repaired, free of charge. This repair or exchange will not be applicable to altered, misused, or damaged tools.

Parts List

Item	Order No.	Description	Quantity
1	63816-0600	Power Crimp Adapter	1

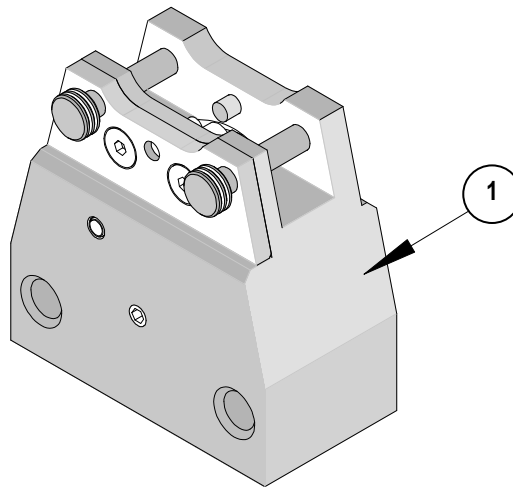


Figure 2-3

63816-0300 Power Crimp Head			
	Application Tooling	Type 2C	Type 4C
	Hand Crimp Tools		

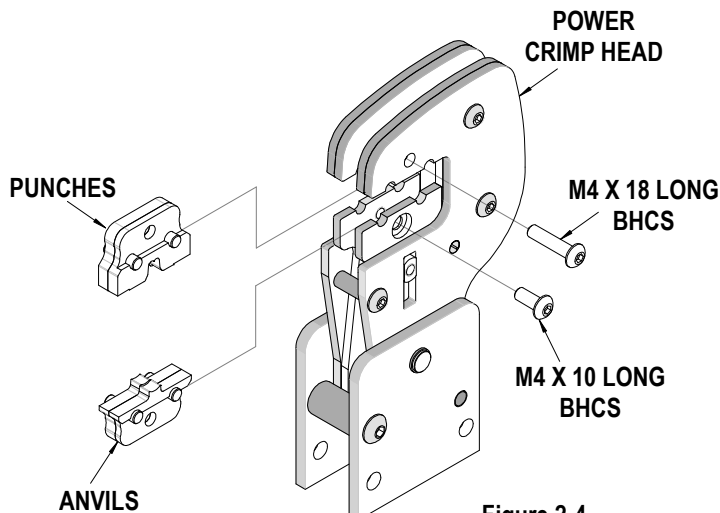
2.3 63816-0300 Power Crimp Head for Type 2C and 4C Hand Crimp Tools

SCOPE

The **63816-0300** Power Crimp Head was created for use with the **Type 2C and 4C** Crimp Dies and Locator Kits when used with the Battery Powered Tool (Order No. 63816-0200).

Installation of Type 2C or 4C Crimp Tool Kit Installation into Power Crimp Head

1. Remove the Crimp Tool Kit from the Type 2C or 4C Hand Crimp Tool. To do this, see the instruction sheet included with the hand crimp tool.
2. To install the Crimp Tool Kit into the Power Crimp Head, follow the steps below:



1. Insert the Anvils into the bottom slots of the nest. The wire size markings face toward the front of the head, opposite from the locator pivot shaft. Install the M4 x 10 long BHCS and tighten in place.
2. Insert the Punches into the top slots of the nest with wire size markings to the front. Install the M4 x 18 long BHCS and tighten in place. See Figure 2-4.
3. Position the locator with the hole over the brass pivot shaft and snap it into place. See Figure 2-5.

 **WARNING:** Never place fingers into the tooling nest.

Power Crimp Head Installation onto Battery Powered Crimping Tool

To install the 63816-0300 Power Crimp Head onto the 63816-0200 Battery Powered Crimping Tool, refer to Section 3, "Set-Up and Adjustments".

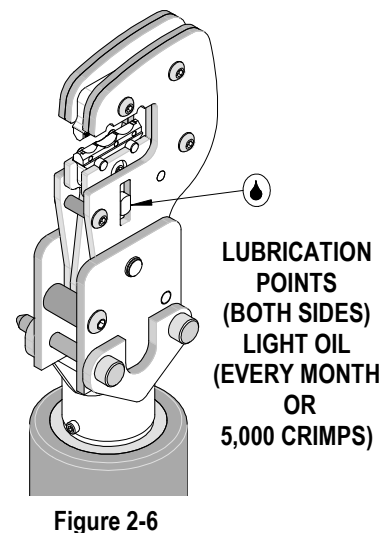
Operation

1. Load the terminal as described in the Operation section of the specification sheet for the tool.
2. Cycle the Battery Powered Tool to crimp the terminal to the wire. Hold the trigger until the tool completes the cycle.
3. Remove the crimped terminal from the terminal locator by pressing down on the wire stop and gently pulling on the wire. The terminal locator can be in either position.
4. Visually inspect the crimped terminal for proper crimp location.

Maintenance

It is recommended that each operator of the tool be made aware of, and responsible for, the following maintenance steps:

1. Remove dust, moisture and other contaminants with a clean brush, or soft, lint-free cloth.
2. Do not use any abrasive materials that could damage the tool.
3. Make certain all pins, pivot points and bearing surfaces in the tool head are protected with a thin coat of high quality machine oil. Do not oil excessively. This tool was engineered for durability, but like any fine piece of equipment, it needs cleaning and lubrication for a maximum service life of trouble-free crimping. Use light oil, such as SAE 30 weight automotive oil, every 5,000 crimps or monthly, will significantly enhance the tool life and ensure a stable calibration. See Figure 2-6 for lubrication points.
4. Store the tool in a clean and dry area when not in use.

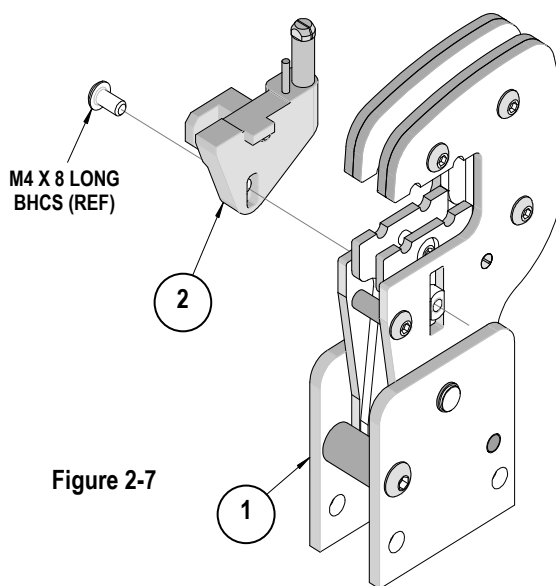


Warranty

This tool is for electrical terminal crimping purposes only. This tool is made of the best quality materials. All vital components are long life-tested. All tools are warranted free of manufacturing defects for a period of **30 days**. Should such a defect occur, we will repair or exchange the tool if it cannot be repaired, free of charge. This repair or exchange will not be applicable to altered, misused, or damaged tools.

Parts List

Item	Order No	Description	Quantity
1	63816-0300	Power Crimp Head	1
2	63811-4773	Universal Locator Mount	1



63816-0800 Power Crimp Head		 TYPE 4D
	Application Tooling	
Type 4D Hand Crimp Tools		

2.4 63816-0800 Power Crimp Head for Type 4D Hand Crimp Tools

SCOPE

The **63816-0800** Power Crimp Head was created for use with **Type 4D** Crimp Dies and Locator when used with the Battery Powered Tool (Order No. 63816-0200).

Installation for Type 4D Crimp Tooling Installation into Power Crimp Head

First, remove the crimp tooling from the Type 4D Hand Crimp Tool. To do this, see the instruction sheet included with the hand crimp tool.

To remove the locator from the Power Crimp Head

1. Open the Power Crimp Head to remove the locator.
2. Squeeze gently on the lower area of the locator assembly, shown in Figure 2-8 with your thumb and index finger. The lower tabs of the locator should disengage from the Power Crimp Head.
3. Lift and pull away from the Power Crimp Head. The top locator hooks should slip out of the top slots easily. See Figure 2-8.

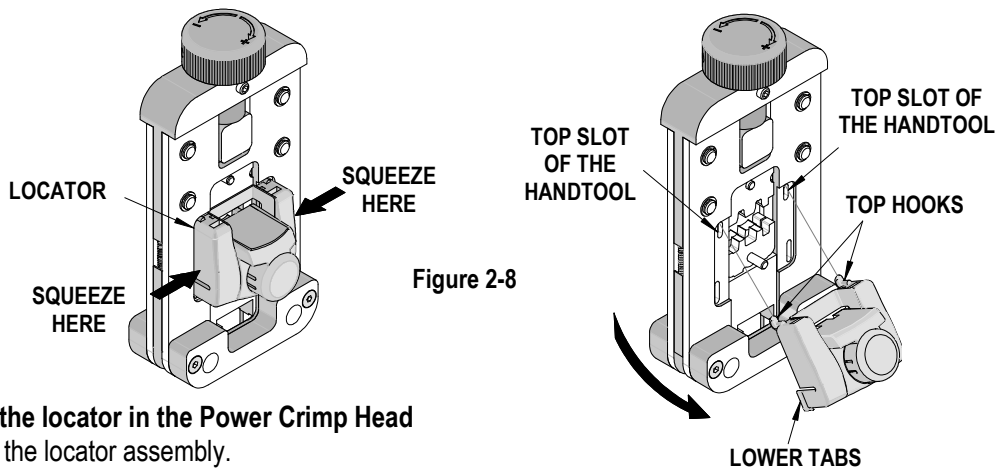


Figure 2-8

To install the locator in the Power Crimp Head

1. Install the locator assembly.
2. Press the red insert down as far as it will go. See Figure 2-9.
3. The locator goes on the opposite side from the dies with the wire gauge markings.
4. While holding onto the lower part of the locator with your thumb and index finger, insert the locator top hooks (2) into the Power Crimp Head top slots.
5. Rotate the locator down and press the lower tabs into the two bottom slots of the head. To secure the locator into place, the lower tabs must snap into place on the head frame.

MAKE SURE
CENTER OF LOCATOR
IS IN THE
DOWN POSITION

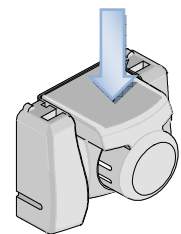


Figure 2-9

Removing the Crimp Dies from the Power Crimp Head

1. Open the Power crimp Head.
2. Remove the two M3 BHCS.
3. Remove the crimp dies as shown in Figure 2-10.
4. Make sure all of components removed from the Power Crimp Head are reinstalled into the Power Crimp Head in the same manner.

Installing the Crimp Dies in the Power Crimp Head

1. Select the desired Type 4D crimping dies.
2. Insert the Anvils or dies (E1 and I1) into the bottom slots of the nest. Install the M3 x 14 long BHCS and lightly tighten in place.

Note: The tool part number markings on the dies go inward so they will not be visible when installed.

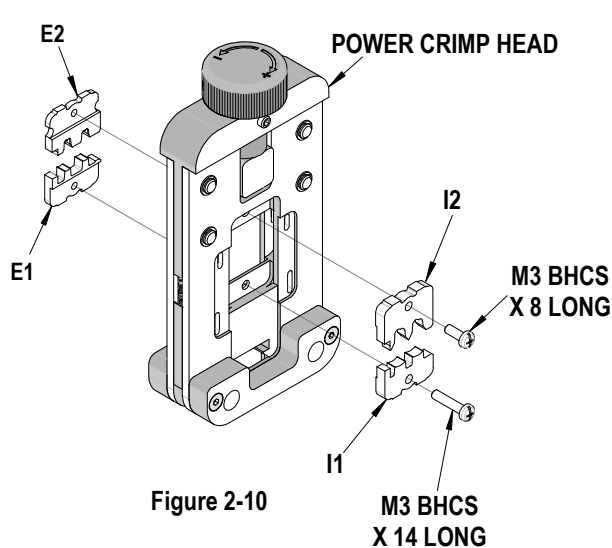


Figure 2-10

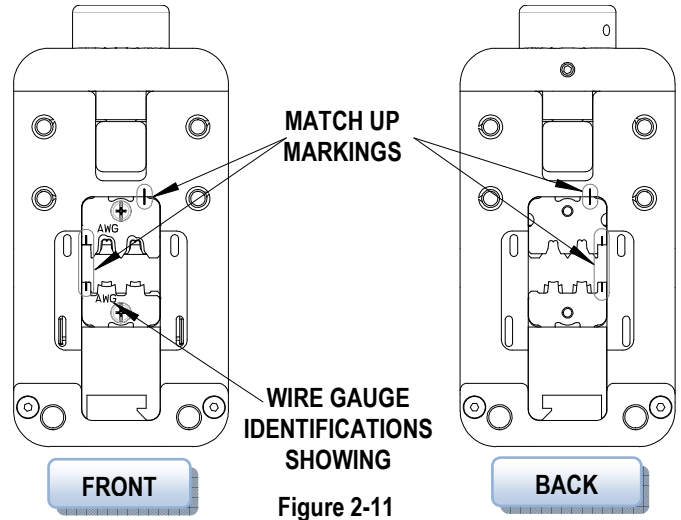


Figure 2-11

3. Insert the Punches or dies (E2 and I2) into the top slots of the nest. Install the M3 x 8 long BHCS and lightly tighten in place. See Figure 2-10
4. Make sure the small markings on the individual dies match up and wire gauge identification (AWG) marks should be facing out and aligned as shown in Figure 2-11.
- 5.

Note: Make sure the longer screw only goes into the lower dies.

6. Completely close the crimp dies until they are touching, and then securely tighten the M3 BHCS.

Power Crimp Head Installation onto Battery Powered Crimping Tool

To install the 63813-0800 Power Crimp Head onto the 63816-0200 Battery Powered Tool, refer to Section 3, "Set-Up and Adjustments".

Adjustments

The crimp height on the 63816-0800 Power Crimp Head can be adjusted, if necessary. To do this, first measure the conductor crimp height of a crimped terminal and compare to the crimp specification listed in the product specification for that terminal. If an adjustment is required, follow the procedure, below:

1. Loosen the locking set screw located just below the knurled knob at the top of the Power Crimp Head. See Figure 2-12.
2. If the crimp height is too loose, rotate the knob, a small amount, in the counter-clockwise direction. Crimp another terminal and re-check the crimp height.
3. If the crimp height is too tight, turn the knob clockwise and follow the same procedure.
4. Do this until the proper crimp height is achieved.
5. When the proper crimp height is achieved, lock the set screw.

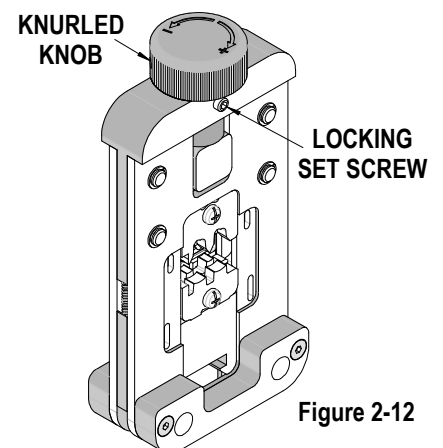


Figure 2-12

Operation

1. To load a terminal and position the wire in the terminal in the Power Crimp Head, follow the loading procedure as explained in the Hand Crimp Tool Specification sheet.
2. Crimp the terminal by squeezing the trigger on the side of the battery actuator until the tool cycles and returns and the jaws open.
3. Remove the terminal from the locator and inspect the crimp for proper quality.

 **WARNING:** Never place fingers into the tooling nest.

Maintenance

It is recommended that each operator of the tool be made aware of, and responsible for, the following maintenance steps:

This tool was engineered for durability, but like any fine piece of equipment, it needs cleaning and lubrication for a maximum service life of trouble-free crimping. Remove dust, moisture and other contaminants with a clean brush, or soft, lint-free cloth.

Do not use any abrasive materials that could damage the tool.

Use light oil, such as SAE 30 weight automotive oil, every 5,000 crimps, or monthly, will significantly enhance the tool life and ensure a stable calibration.

Make certain all sliding surfaces in the tool head are protected with a thin coat of high quality machine oil. See Figure 2-13 for lubrication points. Do not oil excessively and wipe excess oil from the tool frame when complete.

Store the tool in a clean and dry area when not in use.

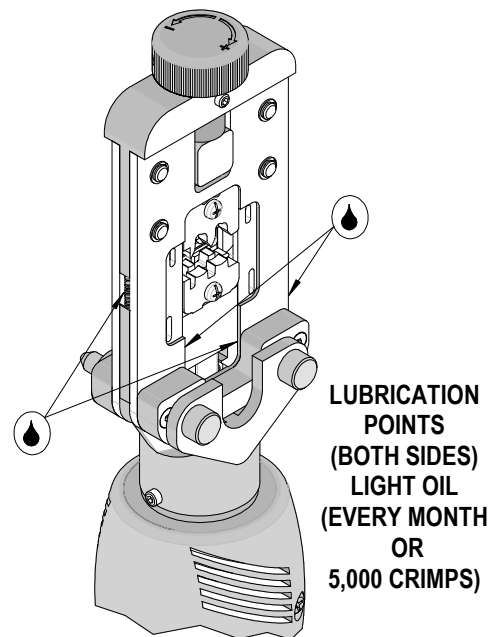


Figure 2-13

Warranty

This tool is for electrical terminal crimping purposes only. This tool is made of the best quality materials. All vital components are long life-tested. All tools are warranted free of manufacturing defects for a period of **30 days**. Should such a defect occur, we will repair or exchange the tool if it cannot be repaired, free of charge. This repair or exchange will not be applicable to altered, misused, or damaged tools.

Parts List

Item	Order No	Description	Quantity
1	63816-0800	Power Crimp Head (for style 4D crimp tools)	1
2	63816-0801	Return Spring	2

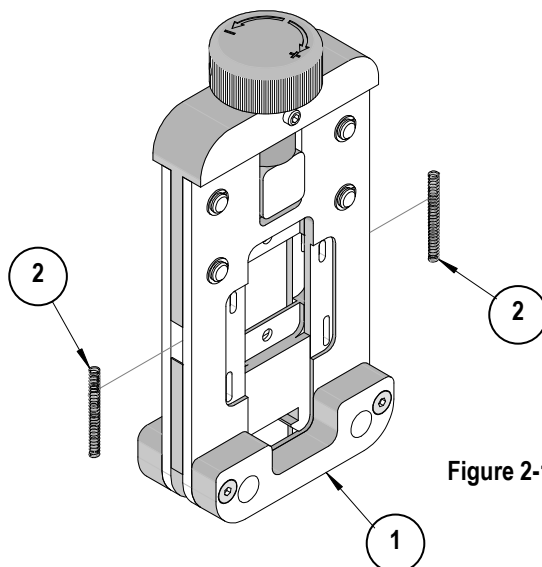

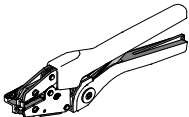
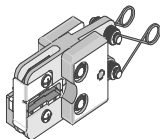


Figure 2-11

63816-0900 Power Adapter			
	Application Tooling	Type RHT	Type AT
	Hand Crimp Tools and Air Crimp Heads		

2.5 63816-0900 Power Adapter for Type AT Air Crimp Heads (With 64005-0000 Head for Type RHT Hand Crimp Tools)

SCOPE

The **63816-0900** Power Adapter was created to adapt the 64005 and 64007 series **Type AT** Crimp Heads for use in the 63816-0200 Battery Powered Tool.

The addition, customers who have **Type RHT** hand crimp tools along with a **Type AT** Crimp Head, can load the RHT dies and locator into the AT crimp head and then in the Battery Powered Tool

Installation

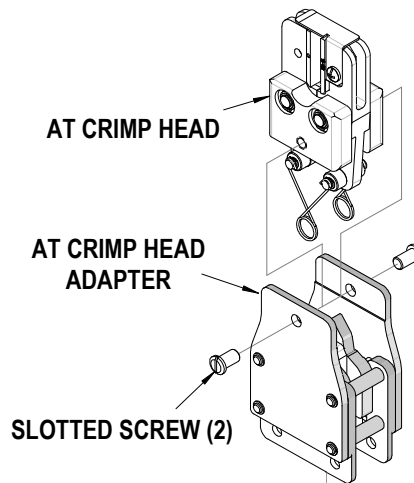
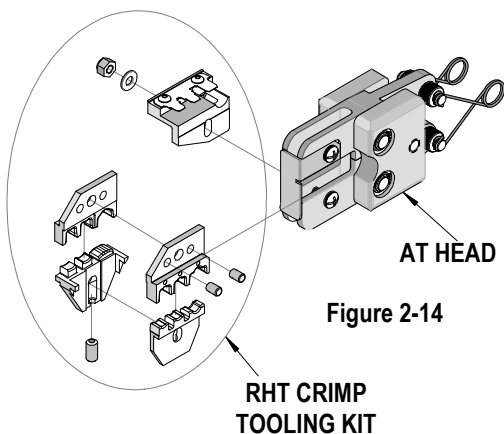
Type AT Air Crimp Head Installation into AT Power Adapter

Install the AT Air Crimp Head onto the AT Power Adapter as shown in Figure 2-15.

Type RHT Crimp Tool Kit into AT Head and AT Power Adapter (One AT Crimp Head required)

Remove the Crimp Tooling Kit from the Type RHT Hand Crimp Tool. To do this, see the instruction sheet included with the hand crimp tool.

1. Install the RHT tooling kit with locator, into the AT Power Crimp Head. See Figures 2-14.
2. Then install the crimp head onto the AT Power Adapter. This is a typical Type RHT Crimp Tooling Kit arrangement in AT Head. See Figure 2-15.



For specific tooling, see the specification sheet that is included with the RHT tool.



WARNING: Never place fingers into the tooling nest.

Installation of Power Crimp Head with Power Adapter to the Battery Powered Crimping Tool

To install the 63816-0900 Power Adapter onto the 63816-0200 Battery Powered Tool, refer to Section 4, “Set-Up and Adjustments”.

Operation

1. To load a terminal and position the wire in the terminal in the Power Crimp Head, follow the loading procedure as explained in the AT Crimp Head (or RHT Hand Crimp Tool) instruction sheet.
2. Crimp the terminal by squeezing the trigger on the side of the battery actuator until the tool cycles and returns and the jaws open.
3. Remove the terminal from the locator and inspect the crimp for proper quality.

Maintenance

It is recommended that each operator of the tool be made aware of, and responsible for, the following maintenance steps:

6. This tool was engineered for durability, but like any fine piece of equipment, it needs cleaning and lubrication for a maximum service life of trouble-free crimping
7. Remove dust, moisture and other contaminants with a clean brush, or soft, lint-free cloth.
8. Do not use any abrasive materials that could damage the tool.
9. Make certain all pins, pivot points and bearing surfaces in the tool head are protected with a thin coat of high quality machine oil. Do not oil excessively. Use light oil, such as SAE 30 weight automotive oil, every 5,000 crimps or monthly, will significantly enhance the tool life and ensure a stable calibration. See Figure 2-16 for lubrication points.
10. Store the tool in a clean and dry area when not in use.

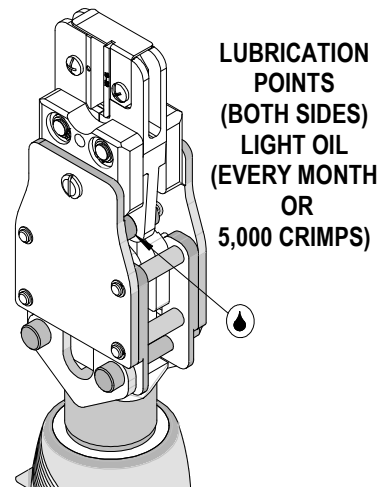


Figure 2-16

Warranty

This tool is for electrical terminal crimping purposes only. This tool is made of the best quality materials. All vital components are long life-tested. All tools are warranted free of manufacturing defects for a period of **30 days**. Should such a defect occur, we will repair or exchange the tool if it cannot be repaired, free of charge. This repair or exchange will not be applicable to altered, misused, or damaged tools.

Parts List

Item	Order No.	Description	Quantity
1	63816-0900	Power Crimp Adapter	1
2	19279-0161	Slotted Screw	2

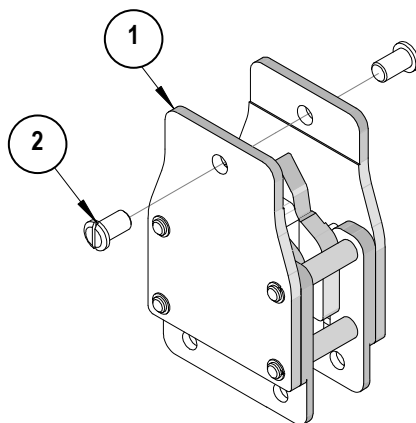


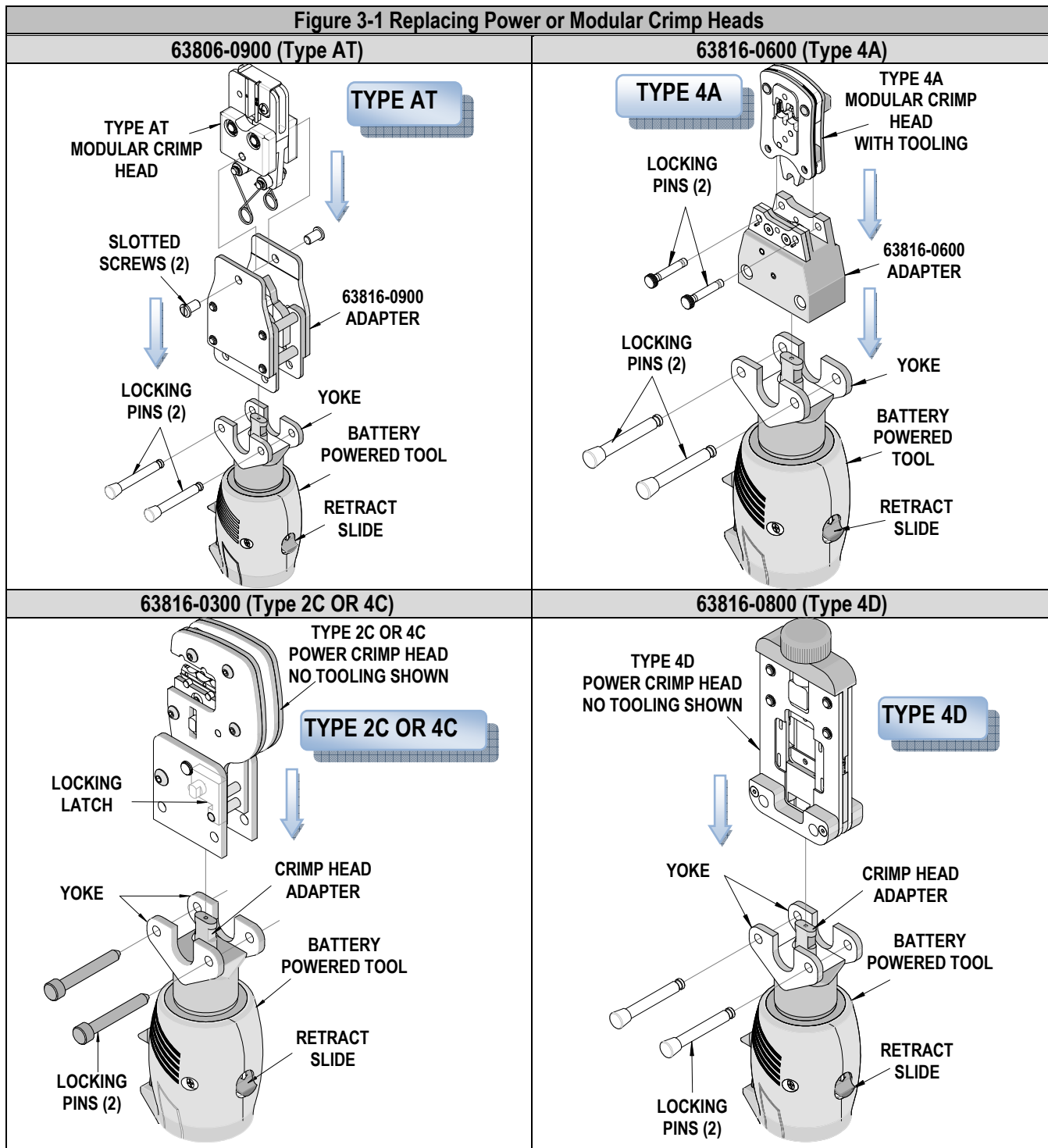
Figure 2-17

SECTION 3

Set-Up and Adjustments

- 3.1. Set-up
- 3.2. Operation
- 3.3. Preventive Instructions

3.1 Set-Up



Before starting any work on electrical applications, make sure there are no live cables or parts in the immediate area of the user.



Warning: Remove the battery from the crimping tool before installing and removing dies in the crimp head.

1. Select the appropriate modular crimp head or power crimp head with the proper tooling kit inserted for the application needed. The Modular Crimp Head with the Battery Powered Crimp Adapter or the Power Crimp Head are sold separately.
2. Remove the locking pins (2) from the battery powered crimp yoke.
3. Place the modular crimp head into the yoke and push down until it engages into the slot of the adapter. The Power Crimp Heads do not require a separate Power Crimp Adapter.
4. Replace the locking pins (2) making sure the modular crimp head or the Power Crimp Head are secure. The locking pins can be inserted from either side of the yoke. See Figure 3-1.



WARNING: Electric shock hazard:

This tool is not insulated. When using this unit near energized electrical lines, use proper personal protective equipment.

Failure to observe this warning could result in severe injury or death



WARNING: Wear eye protection when operating or servicing this tool.

Failure to wear eye protection could result in serious eye injury from flying debris or hydraulic oil.

3.2 Operation

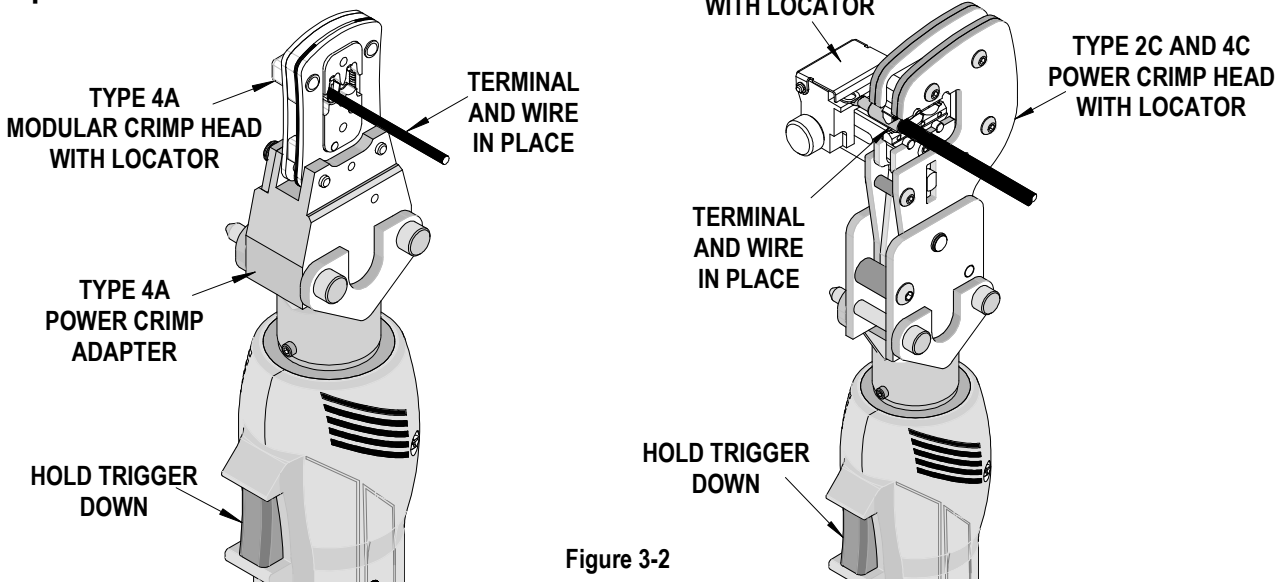


Figure 3-2

1. Insert the proper terminal or connector into the tooling nest and push on the trigger in the handle just enough so the dies contact the terminal or connector securely. Release the trigger. This allows the operator to make adjustments to the connector before the final termination. See Figure 3-2.
2. Insert the wire or cable into the terminal. Push on the wire or cable to assure it is fully seated in the terminal.
3. Hold the trigger down again until the crimping tool achieves pressure relief, which is accompanied by an audible “pop”.

The crimping operation can be interrupted at any time during the cycle by releasing the trigger.

4. The crimping cycle is complete when the dies are completely closed and the maximum crimping force is reached. The dies will automatically release and will go back to their original position.



Note: In case of an error or emergency, the ram can be retracted before the crimping cycle is complete. To do this push the retractor slide towards the battery. See Figure 3-1.



Warning: An incomplete crimp can cause a fire.

- Use proper die, connector, and cable combinations. Improper combinations can result in an incomplete crimp.
- The relief valve will sound to indicate a completed crimp. If you do not hear the sound of the relief valve, the crimp is not complete. Failure to observe these warnings could result in severe injury or death.

3.3 Preventive Instructions



WARNING: Do not dispose of the battery in a fire. It will vent fumes and may explode.

Failure to observe this warning could result in severe injury from harmful fumes or burns from flying debris



WARNING: Inspect tool and dies before use. Replace any worn or damaged parts. A damaged or improperly assembled tool can break and strike someone nearby. Failure to observe this warning could result in severe injury or death.

CAUTION:

- Do not operate the tool without the dies. Damage to the ram or crimping head can result.
- Do not operate with the crimping head open. Damage to the ram or seals can result.
- This tool is not designed for continuous use. After 100 crimping cycles, allow the crimping tool to cool down for 15 minutes.
- Do not place the tool in a vise. The crimping tool is designed for hand-held operation only.
- This tool may be used in damp or wet environments; however, we recommend air-drying the tool before use if it becomes soaked.
- Use this tool for the manufacturer's intended purpose only.

Failure to observe these precautions may result in injury or property damage.

CAUTION:

- Do not allow anything to contact the battery's terminals.
- Do not immerse the battery in liquid. Liquid may create a short circuit and damage the battery.
- If the battery is immersed, contact your service center for proper handling.
- Do not place the battery into a pocket, tool pouch, or tool box with conductive objects.
- Conductive objects may create a short circuit and damage the battery.
- Do not place a battery on moist ground or grass. Moisture may create a short circuit and damage the battery.

Failure to observe these precautions may result in injury or property damage.

Avoid dropping this tool. Extreme shock may damage the internal mechanism and result in malfunction of the tool.

SECTION 4

General Terminal Specifications and Crimping Operation

4.1. Scope

4.2. Crimping terminals

4.1 Scope

This tool is designed to crimp various Molex terminals and splices using our offering of crimping heads.

Testing

Mechanical

The tensile test, or pull test, is a means of evaluating the mechanical properties of the crimped connections. The following charts show the UL specifications for various wire sizes. The tensile strength is shown in pound-force, which indicates the minimum acceptable force to break or separate the terminal from the conductor.

Wire Size (AWG)	Tooling Color Code	*UL – 486A	**UL – 486C	***MIL-T-7928
22		8	8	
20		13	10	
18		20	10	
16		30	15	
14		50	25	
12		70	35	
10		80	40	
8	Red	90	45	225
6	Blue	100	50	300
4	Yellow	140	-	400
2	Red	180	-	550
1	Blue	200	-	650
1/0	Blue	250	-	700
2/0	Yellow	300	-	750
3/0	Red	350	-	825
4/0	Blue	450	-	875

*UL – 486A – Terminals (Copper Conductors Only)

**UL – 486C – Butt Slices and Parallel Slices (Over 6 AWG use 486A values)

***MIL-T-7928 - Military Approved Terminals only as listed

4.2 Crimping Terminals

Specifications and Instructions for crimping are included with the individual Hand Tool / Modular Crimp Heads. These documents are called the Application Tooling Specification (ATS) Sheets.

These come with complete Hand Tools / Module Crimp Heads. If another copy is needed search on the www.Molex.com for the hand tool order number desired. In the section **Specification & Other Documents** click on the [Application Tooling Specification \(PDF\) \(ATS-EN\)](#).