



Chipsmall Limited consists of a professional team with an average of over 10 year of expertise in the distribution of electronic components. Based in Hongkong, we have already established firm and mutual-benefit business relationships with customers from,Europe,America and south Asia,supplying obsolete and hard-to-find components to meet their specific needs.

With the principle of “Quality Parts,Customers Priority,Honest Operation,and Considerate Service”,our business mainly focus on the distribution of electronic components. Line cards we deal with include Microchip,ALPS,ROHM,Xilinx,Pulse,ON,Everlight and Freescale. Main products comprise IC,Modules,Potentiometer,IC Socket,Relay,Connector.Our parts cover such applications as commercial,industrial, and automotives areas.

We are looking forward to setting up business relationship with you and hope to provide you with the best service and solution. Let us make a better world for our industry!



Contact us

Tel: +86-755-8981 8866 Fax: +86-755-8427 6832

Email & Skype: info@chipsmall.com Web: www.chipsmall.com

Address: A1208, Overseas Decoration Building, #122 Zhenhua RD., Futian, Shenzhen, China



Unlatching Tool		
	Application Tooling Specification Sheet	
		Order No. 63824-1200

FEATURES

- This Tool is for unlatching the lever on the wire cap on CMC-CMX Receptacle.

SCOPE

Products: CMC-CMX Receptacle Connector Assemblies, 22 to 53 Way.

Description	Connector Order No.						Wire Cap Order No.
CMC 22w	98835-1001	98835-1002	98835-1003	98835-1004	98835-1005	98835-1006	98993-1201
	98835-1007	98835-1008	98835-1009	98835-1010	98835-1011	98835-1012	
	64326-1001	64326-1002	64326-1005	64326-1006	64326-1009	64326-1010	64319-1201
CMC 28w	98994-1011	98994-1018	98994-1019	98994-3011	98994-3018	98994-3019	98993-1301
	64318-1011	64318-1018	64318-1019	64318-3011	64318-3018	64318-3019	64320-1301
CMC 53w	98995-1011	98995-1018	98995-1019	98995-2011	98995-2018	98995-2019	98995-1101
	64321-1011	64321-1018	64321-1019	64321-1015			64321-1101
	64321-2011	64321-2018	64321-2019	64321-2015			
CMC 32w GEL SEAL	98644-2001	98644-2002	98644-2003	98644-2004	98644-2005		98649-1001
	98644-3001	98644-3002	98644-3003	98644-3004	98644-3005		
	98744-2001	98744-2002	98744-2003	98744-2004	98744-2005		98649-1001
	98744-3001	98744-3002	98744-3003	98744-3004	98744-3005		
	98844-2001	98844-2002	98844-2003	98844-2004	98844-2005		98649-1002
	98844-3001	98844-3002	98844-3003	98844-3004	98844-3005		
	98944-2001	98944-2002	98944-2003	98944-2004	98944-2005		98649-1003
98944-3001	98944-3002	98944-3003	98944-3004	98944-3005			
CMC 48w GEL SEAL	98650-2001	98650-2002	98650-2003	98650-2004	98650-2005		98655-1001
	98650-3001	98650-3002	98650-3003	98650-3004	98650-3005		
	98750-2001	98750-2002	98750-2003	98750-2004	98750-2005		98655-1001
	98750-3001	98750-3002	98750-3003	98750-3004	98750-3005		
	98850-2001	98850-2002	98850-2003	98850-2004	98850-2005		98655-1002
	98850-3001	98850-3002	98850-3003	98850-3004	98850-3005		
	98950-2001	98950-2002	98950-2003	98950-2004	98950-2005		98655-1003
98950-3001	98950-3002	98950-3003	98950-3004	98950-3005			
CMC 32w MAT SEAL	98993-4011	98993-5011	98993-4012	98993-5012			98993-1201
	98993-4013	98993-5013	98993-4015	98993-5015			
	64319-1211	64319-1216	64319-1218	64319-1219			64319-1201
	64319-3211	64319-3216	64319-3218	64319-3219			
CMC 24w MAT SEAL	64319-2211	64319-2218	64319-4211	64319-4218			64319-1201
CMC 48w MAT SEAL	98993-4021	98993-5021	98993-4022	98993-5022			98993-1301
	98993-4023	98993-5023	98993-4024	98993-5024			
	64320-1311	64320-1315	64320-1318	64320-1319			64320-1301
	64320-3311	64320-3315	64320-3318	64320-3319			

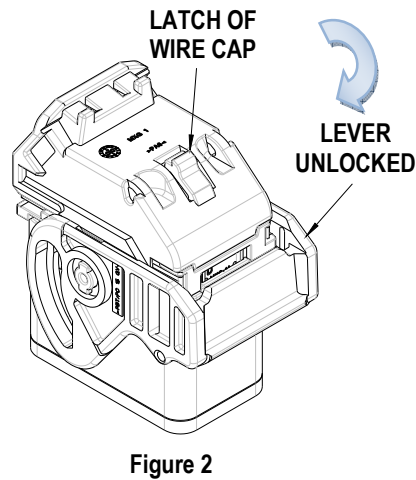
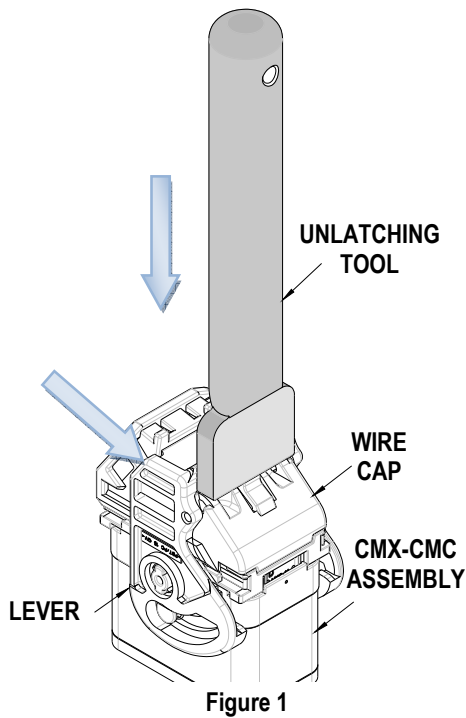
Unlocking Tool for CMC and CMX Receptacle Connector

Description	Connector Order No.						Wire Cap Order No.
CMC 36w MAT SEAL	64320-2311	64320-2319	64320-4311	64320-4319			64320-1301
CMX 27w	64314-2341	64314-1341	64314-2541	64314-1541	64314-2343	64314-1343	98655-1001
	64314-2643	64314-1643	64314-2345	64314-1345	64314-2745	64314-1745	8655-1011
	64314-3341	64314-3343	64314-3345	64314-4341	64314-4343	64314-4345	98655-1003
CMX 32w	98833-1031	98833-2031	98833-1032	98833-2032			98649-1001
	98833-1033	98833-2033	98833-1035	98833-2035			
CMX 48w	98833-1041	98833-2041	98833-1042	98833-2042			98655-1001
	98833-1043	98833-2043	98833-1044	98833-2044			98655-1011
CMX 53w	198009-1001	198009-2001	198009-1003	198009-2003			98995-1101

OPERATION:

On a CMC-CMX receptacle assembly follow the steps below:

1. Insert slight pressure on the lever as shown in Figure 1.
2. Push down on the unlatching tool to release the latch of the wire cap.
3. Push the lever toward the front of the wire cap until the lever is unlocked. See Figure 2.



Molex does not offer repair parts for Extractor Tools due to the inexpensive nature of these tools.

CAUTION: Molex specifications are valid only when used with Molex terminals and tooling.

<http://www.molex.com>