



Chipsmall Limited consists of a professional team with an average of over 10 year of expertise in the distribution of electronic components. Based in Hongkong, we have already established firm and mutual-benefit business relationships with customers from,Europe,America and south Asia,supplying obsolete and hard-to-find components to meet their specific needs.

With the principle of “Quality Parts,Customers Priority,Honest Operation,and Considerate Service”,our business mainly focus on the distribution of electronic components. Line cards we deal with include Microchip,ALPS,ROHM,Xilinx,Pulse,ON,Everlight and Freescale. Main products comprise IC,Modules,Potentiometer,IC Socket,Relay,Connector.Our parts cover such applications as commercial,industrial, and automotives areas.

We are looking forward to setting up business relationship with you and hope to provide you with the best service and solution. Let us make a better world for our industry!



Contact us

Tel: +86-755-8981 8866 Fax: +86-755-8427 6832

Email & Skype: info@chipsmall.com Web: www.chipsmall.com

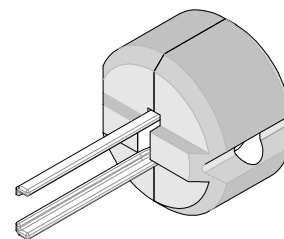
Address: A1208, Overseas Decoration Building, #122 Zhenhua RD., Futian, Shenzhen, China





Extractor Tool

Application Tooling Specification Sheet



Order No. 63824-2600

FEATURES

- This Extractor Tool is for the removal of a CTX150 Receptacle Crimp Terminal (502307 Series) from a CMX Connector (560065 Series).

SCOPE

Products: CTX150 Receptacle Crimp Terminal for CMX 55 and 65 Way Connector.

Terminal Series No.	Terminal Order No.					
502307	502307-0111	502307-0112	502307-0113	502307-0121	502307-0122	502307-0123
	502307-0211	502307-0212	502307-0213	502307-0221	502307-0222	502307-0223
	502307-1111	502307-1112	502307-1113	502307-1121	502307-1122	502307-1123
	502307-1211	502307-1212	502307-1213	502307-1221	502307-1222	502307-1223
	502307-2111	502307-2112	502307-2113	502307-2121	502307-2122	502307-2123
	502307-2211	502307-2212	502307-2213	502307-2221	502307-2222	502307-2223

TPA Latch

Before terminals can be extracted the TPA latch must be opened. Use the applicable extractor tool below:

For 55 Way Connectors see document ATS-638243300.

For 65 Way Connectors see document ATS-638243400.

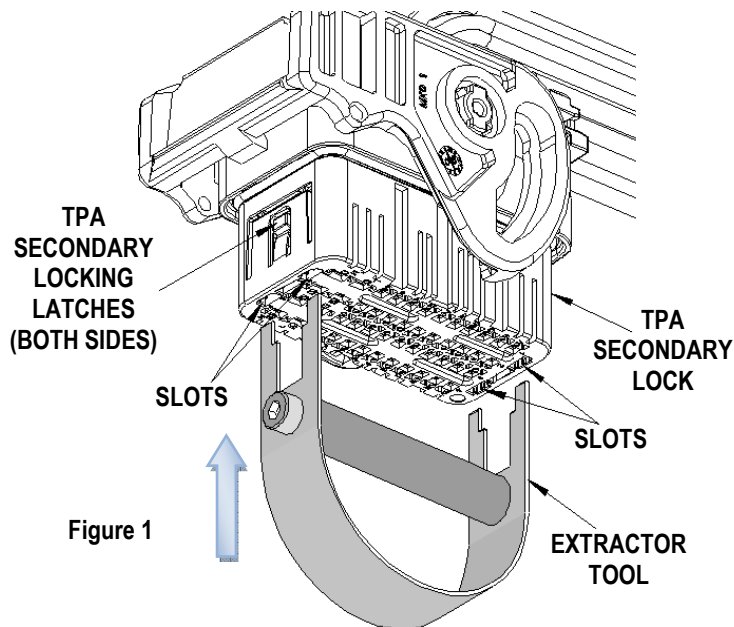


Figure 1

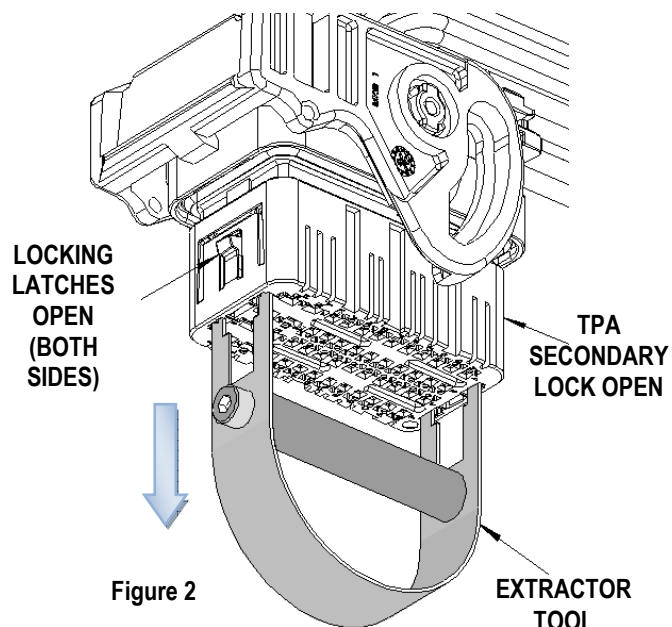


Figure 2

1. Insert the extractor tool into the (2) side slots of the (TPA) secondary lock on each sides until it stops. See Figure 1.
2. While keeping the extractor tool in this position pull down on the (TPA) secondary lock. The locking latches should be visible. See Figure 2.
3. Remove the extractor tool and check the position of the TPA.

OPERATION:

When removing a damaged crimped wire from the CMX connector follow the steps below:

1. Position the two blades of the extraction tool into the small slots in the front face of the housing as shown in Figure 3. Use the identifying markings on both the front and back of the connector to locate the opening used to extract the crimped wire.

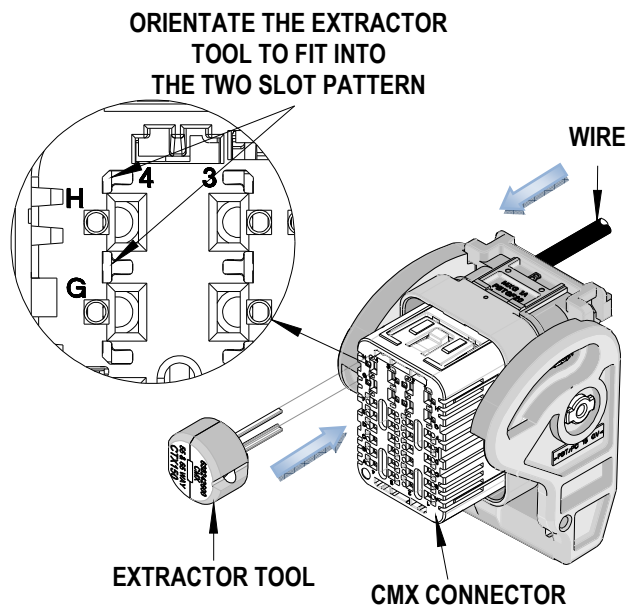


Figure 3

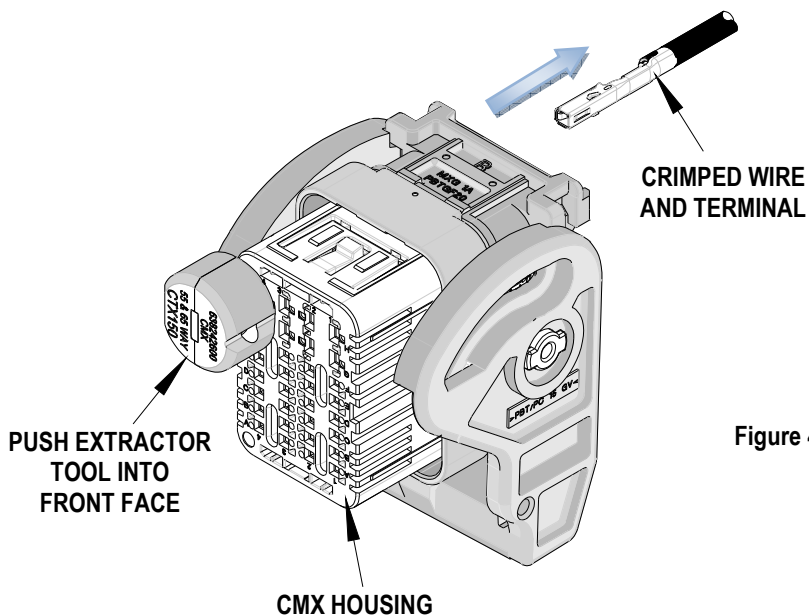


Figure 4

2. Push extractor tool into the desired slots until it clicks or comes to a stop. Do not force the extractor tool any further or there can be damage to the housing. See Figure 4.
3. Gently push the wire forward towards the housing and then pull out of the CMX housing.
4. Molex does not offer repair parts for Extractor Tools due to the inexpensive nature of these tools.

Visit our Web site at <http://www.molex.com>