



Chipsmall Limited consists of a professional team with an average of over 10 year of expertise in the distribution of electronic components. Based in Hongkong, we have already established firm and mutual-benefit business relationships with customers from,Europe,America and south Asia,supplying obsolete and hard-to-find components to meet their specific needs.

With the principle of “Quality Parts,Customers Priority,Honest Operation,and Considerate Service”,our business mainly focus on the distribution of electronic components. Line cards we deal with include Microchip,ALPS,ROHM,Xilinx,Pulse,ON,Everlight and Freescale. Main products comprise IC,Modules,Potentiometer,IC Socket,Relay,Connector.Our parts cover such applications as commercial,industrial, and automotives areas.

We are looking forward to setting up business relationship with you and hope to provide you with the best service and solution. Let us make a better world for our industry!



Contact us

Tel: +86-755-8981 8866 Fax: +86-755-8427 6832

Email & Skype: info@chipsmall.com Web: www.chipsmall.com

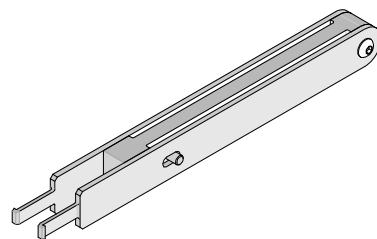
Address: A1208, Overseas Decoration Building, #122 Zhenhua RD., Futian, Shenzhen, China





Extractor Tool

**Application Tooling
Specification Sheet**



Order No. 63824-3000

FEATURES

- This tool is designed to unlock the 171228-0002 TPA from the 31567 series Headers.

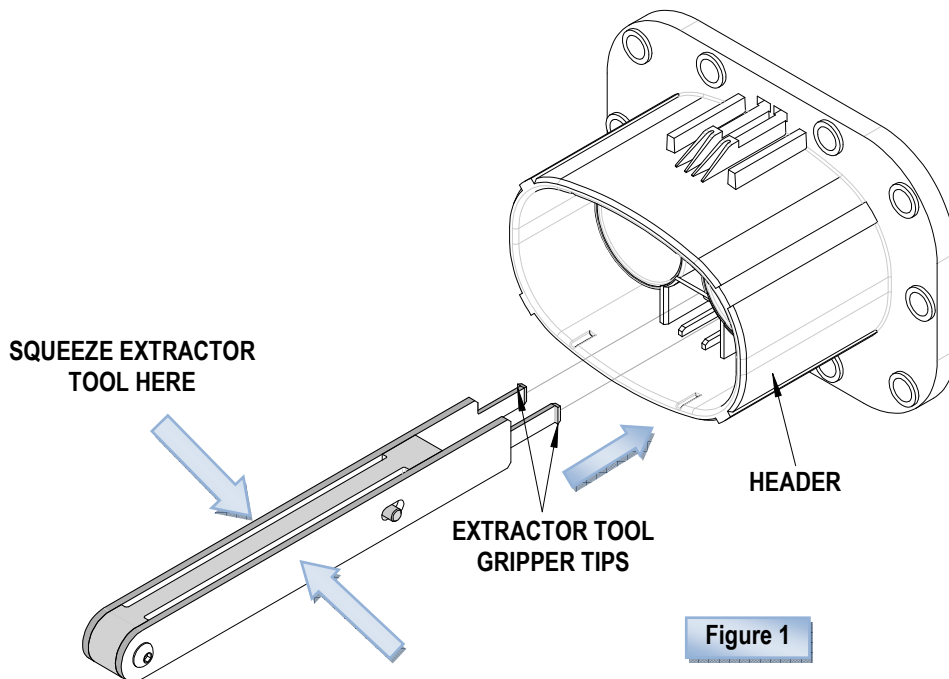
SCOPE

Products: TPA, HVIL EPIC 200 171228-0002 for Imperium 31567 Series Headers.

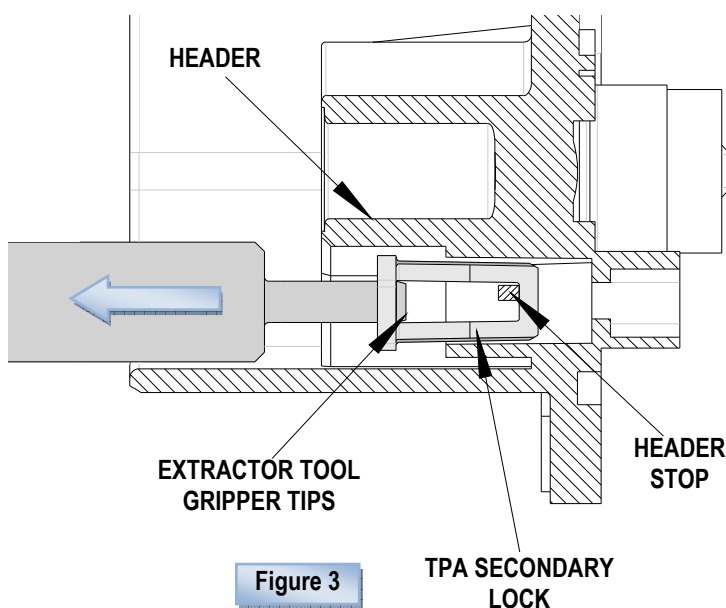
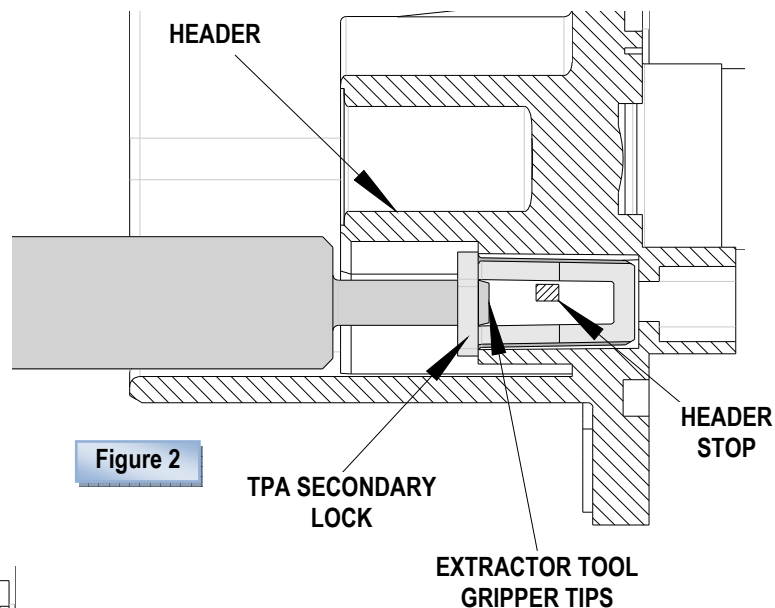
| TPA Order No. | Series No. | Header Order No. | | | | | |
|---------------|--------------------------------|------------------|-------------|-------------|-------------|-------------|-------------|
| 171228-0002 | Header 31567 | 31567-1000 | 31567-2000 | 31567-3000 | 31567-3001 | 31567-3002 | 31567-3003 |
| | | 31567-3004 | 31567-3005 | 31567-3006 | | | |
| | Main Assembly 171467 | 171467-1000 | 171467-1001 | 171467-1002 | 171467-1003 | 171467-1004 | 171467-1005 |
| | | 171467-1006 | | | | | |

OPERATION

1. Line up the Extractor Tool to the 2 slots on the Secondary Locking Key (TPA), squeeze the tool gripper tips if necessary to insert the tool into the TPA. See Figure 1.



2. Squeeze the tool grippers together on the tool handle. This will help catch the TPA slot edges and prevent the extractor tool slipping out of the TPA. See Figure 2.



3. When the TPA is engaged, gently pull the extractor tool in the arrow direction shown, maintaining a constant pressure on the Extractor tool handle until the Secondary Locking Key (TPA) stops. When it stops the TPA is unlocked. Do not pull the TPA out of the connector. See Figures 3.

Molex does not offer repair parts for Extractor Tools due to the inexpensive nature of these tools.

CAUTION: This extractor tool should be used to extract the TPA only. Using it for unintended purposes may cause injury or damage to parts. Be careful not to damage the TPA slots.

Contact Information

For more information on Molex application tooling please contact Molex at 1-800-786-6539.

Visit our Web site at <http://www.molex.com>