



Chipsmall Limited consists of a professional team with an average of over 10 year of expertise in the distribution of electronic components. Based in Hongkong, we have already established firm and mutual-benefit business relationships with customers from,Europe,America and south Asia,supplying obsolete and hard-to-find components to meet their specific needs.

With the principle of “Quality Parts,Customers Priority,Honest Operation,and Considerate Service”,our business mainly focus on the distribution of electronic components. Line cards we deal with include Microchip,ALPS,ROHM,Xilinx,Pulse,ON,Everlight and Freescale. Main products comprise IC,Modules,Potentiometer,IC Socket,Relay,Connector.Our parts cover such applications as commercial,industrial, and automotives areas.

We are looking forward to setting up business relationship with you and hope to provide you with the best service and solution. Let us make a better world for our industry!



Contact us

Tel: +86-755-8981 8866 Fax: +86-755-8427 6832

Email & Skype: info@chipsmall.com Web: www.chipsmall.com

Address: A1208, Overseas Decoration Building, #122 Zhenhua RD., Futian, Shenzhen, China



PLEASE CHECK WWW.MOLEX.COM FOR LATEST PART INFORMATION

Part Number: [63888-7100](#)
Status: **Active**
Description: Mini-Mac™ for Cat Ear and Anti-Fish Hook Crimp Terminals, 22-30 AWG Wire

Documents:
[RoHS Certificate of Compliance \(PDF\)](#)

General

Product Family	Application Tooling
Series	T1101
Comments	See Tooling Specification (PDF) Above
Function	Crimp
Geographic Area	Global
Level of Automation	Semi-Automatic
More Detailed Tech Information	applicationtooling@molex.com
Product Name	Mini-Mac™
Survey	www.molex.com//review/apptool_survey.html
Tool Type	Mini-Mac Applicator
UPC	884982824782

Physical

Net Weight 4843.898/g

Material Info

Reference - Drawing Numbers

Application Tooling Documents
 ATS-638887100, TM-638000029, TM-638000100,
 TM-638000100SP

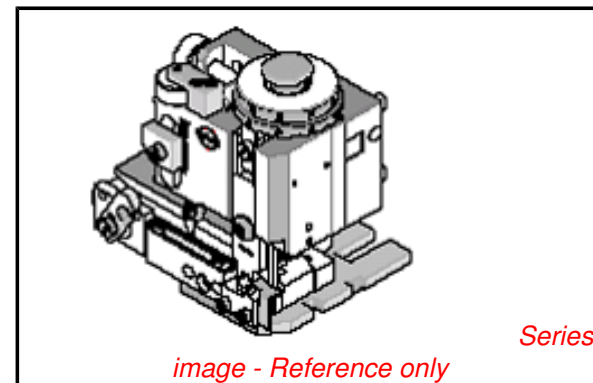


image - Reference only

EU RoHS

**ELV and RoHS
Compliant**

REACH SVHC

Not Reviewed

Low-Halogen Status

Not Reviewed

China RoHS



**Need more information on product
environmental compliance?**

Email productcompliance@molex.com
 For a multiple part number RoHS Certificate of
 Compliance, [click here](#)

Please visit the [Contact Us](#) section for any
 non-product compliance questions.

Search Parts in this Series

[T1101Series](#)

Use With

4809 KK® Cat Ear Crimp Terminal, 8088
 KK® Anti Fish Hook Crimp Terminal

Application Tooling

FAQ

Description	Product #
KK® Crimp Terminal 4809, 22-30 AWG, Reel, Bag	0008500135
KK® Cat Ear Crimp Terminal 4809, 22-30 AWG, Hot Tin, Reel, 2.20mm Insulation Crimp	0008500030
KK® Cat Ear Crimp Terminal 4809, 22-30 AWG, Hot Tin, Reel	0008500031
KK® Cat Ear Crimp Terminal 8088, 22-30 AWG, Tin, Reel	0008520105
KK® Crimp Terminal 4809, 22-30 AWG,	0008550110

Reel Selective Gold
(Au)
KK® Cat Ear Crimp 0008550112
Terminal 4809, 22-30
AWG, Selective
Gold, Reel
KK® Crimp Terminal 0008560120
4809, 22-30 AWG,
Reel Selective Gold
(Au)
KK® Cat Ear Crimp 0097000450
Terminal 4809, 22-30
AWG, Un-plated,
Reel

This document was generated on 03/08/2013

PLEASE CHECK WWW.MOLEX.COM FOR LATEST PART INFORMATION