



Chipsmall Limited consists of a professional team with an average of over 10 year of expertise in the distribution of electronic components. Based in Hongkong, we have already established firm and mutual-benefit business relationships with customers from,Europe,America and south Asia,supplying obsolete and hard-to-find components to meet their specific needs.

With the principle of “Quality Parts,Customers Priority,Honest Operation,and Considerate Service”,our business mainly focus on the distribution of electronic components. Line cards we deal with include Microchip,ALPS,ROHM,Xilinx,Pulse,ON,Everlight and Freescale. Main products comprise IC,Modules,Potentiometer,IC Socket,Relay,Connector.Our parts cover such applications as commercial,industrial, and automotives areas.

We are looking forward to setting up business relationship with you and hope to provide you with the best service and solution. Let us make a better world for our industry!



## Contact us

Tel: +86-755-8981 8866 Fax: +86-755-8427 6832

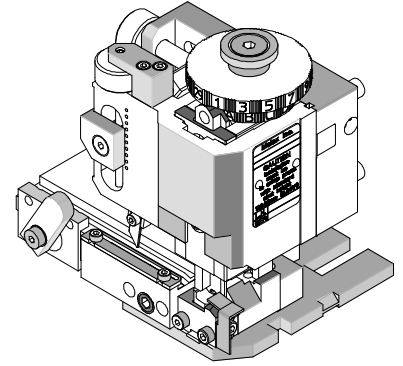
Email & Skype: [info@chipsmall.com](mailto:info@chipsmall.com) Web: [www.chipsmall.com](http://www.chipsmall.com)

Address: A1208, Overseas Decoration Building, #122 Zhenhua RD., Futian, Shenzhen, China





# FineAdjust Applicator Specification Sheet Part No. 63900-6600



## FEATURES

- Directly adapts to most automatic wire processing machines
- Quick punch removal with the push of a button for fast and easy tooling change
- Applicator designed to industry standard mounting and shut height 135.80mm (5.346")
- Quick set-up time; plus the crimp height, track and feed adjustments can be set without removing the applicator from the press
- Fine adjustment allows users to achieve target with little effort by adjusting in increments of .015mm (.0006") for conductor crimp height and .063mm (.0025") for insulation height
- Independent adjustment rings allow users to quickly adjust the conductor or insulation crimp height without affecting each other

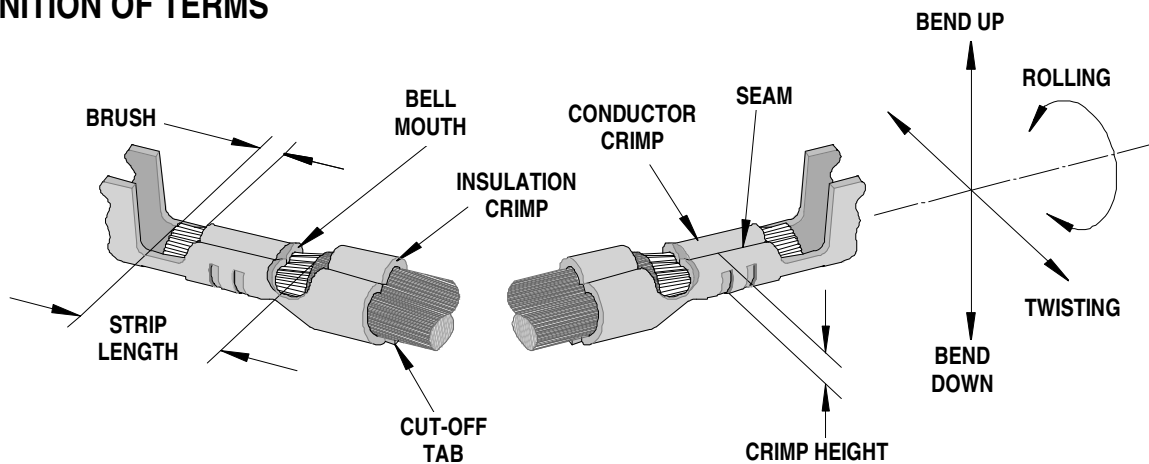
## SCOPE

Products: 1.25mm (.049") Pitch Wire-to-Board Connector Dual Plug Terminal, 26-28 AWG.

Terminal Series No.	Terminal Order No.		Wire Size		◆ Insulation Diameter		Strip Length	
			AWG	mm <sup>2</sup>	mm	In.	mm	In.
501930	501930-0100	501930-1100	26-28	.136-.079	0.80-1.00	.031-.039	1.50-1.70	.060-.067
502381	502381-0000	502381-0010	26-28	.136-.079	0.80-1.00	.031-.039	1.50-1.70	.060-.067

◆ This Applicator provides optimum A-620 Class 2 crimps with insulation O.D. range of 0.80-0.94 mm.

## DEFINITION OF TERMS



The above terminal drawing is a generic terminal representation. It is not an image of a terminal listed in the scope.

## CRIMP SPECIFICATION

Terminal Series No.	Bell mouth		Cut-off Tab Maximum		Conductor Brush	
	Mm	In.	mm	In.	mm	In.
501930	0.10-0.30	.004-.012	0.10	.004	0.10-0.40	.004-.016
502381	0.10-0.30	.004-.012	0.10	.004	0.10-0.40	.004-.016

Terminal Series No.	Bend up Bend down		Twist	Roll	Punch Width mm (Ref)				Seam Seam shall not be open and no wire allowed out of the crimping area
	Degree				Degree		Conductor		
	mm	In	mm	In	mm	In	mm	In	
501930	3	3	4	6	0.80	.031	0.80	.031	
502381	3	3	4	6	0.80	.031	0.80	.031	

After crimping, the conductor profile should measure the following.

Terminal Series No.	Wire Size		Conductor			
	AWG	mm <sup>2</sup>	Crimp Height		Crimp Width (Ref)	
			mm	In.	mm	In.
501930	26	.136	0.56-0.61	.022-.024		
	28	.079	0.53-0.58	.021-.023		
502381	26	.136	0.56-0.61	.022-.024		
	28	.079	0.53-0.58	.021-.023		

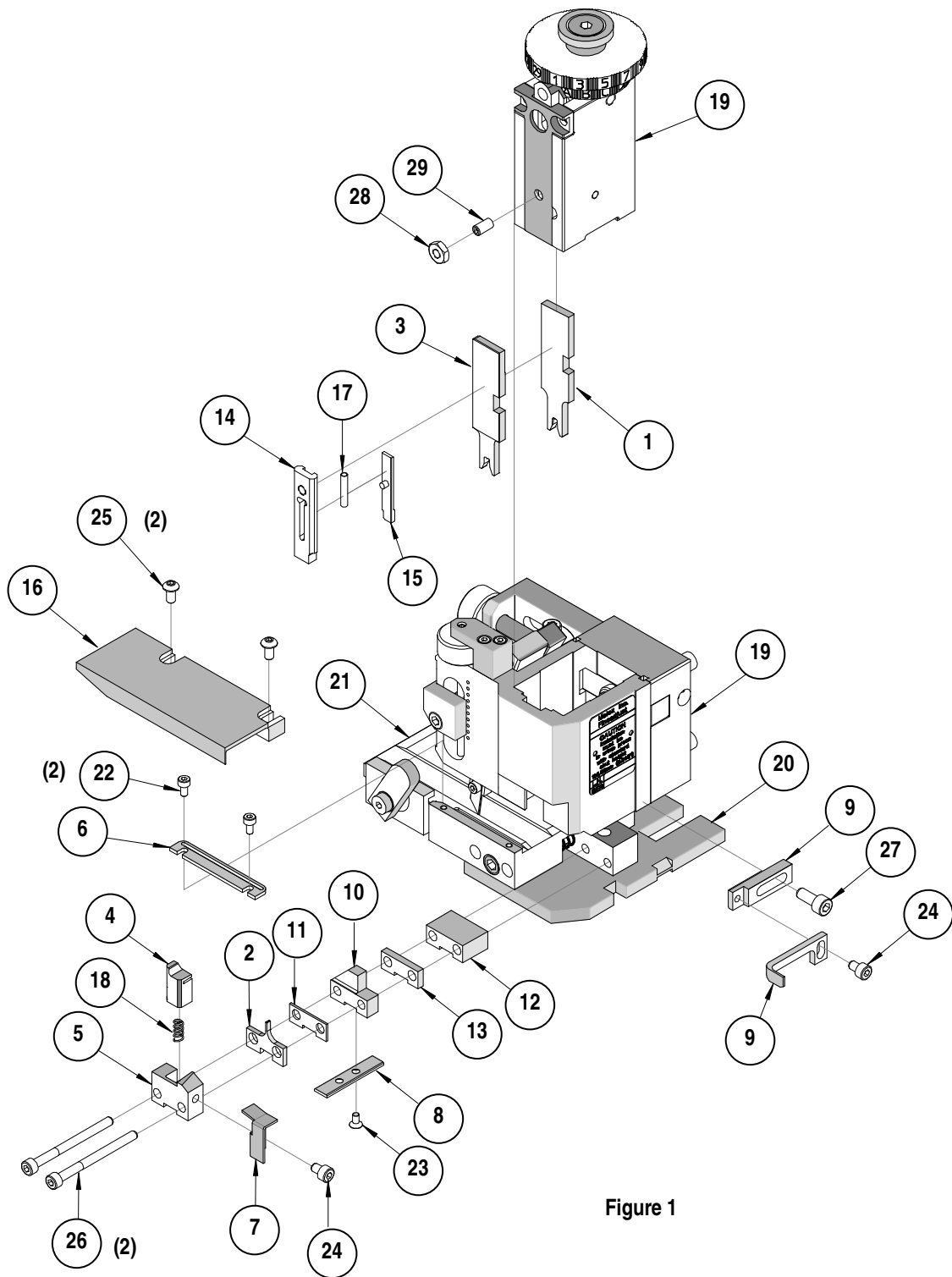
Terminal Series No.	Wire Size		Insulation (Ref)				Pull Force Minimum	
	AWG	mm <sup>2</sup>	Crimp Height		Crimp Width		N	Lb.
			mm	In.	mm	In.		
501930	26	.136	1.18-1.28	.046-.050			9.8	2.20
	28	.079	1.15-1.25	.045-.049			9.8	2.20
502381	26	.136	1.18-1.28	.046-.050			9.8	2.20
	28	.079	1.15-1.25	.045-.049			9.8	2.20

Pull Force should be measured with no influence from the insulation crimp.  
The above specifications are guidelines to an optimum crimp.

**PARTS LIST**

<b>FineAdjust Applicator 63900-6600</b>				
<b>Item</b>	<b>Order No</b>	<b>Engineering No.</b>	<b>Description</b>	<b>Quantity</b>
<b>Perishable Tooling</b>				
	63900-6670	63900-6670	Tool Kit (All "Y" Items)	REF
1	63444-0804	63444-0804	Conductor Punch	1 Y
2	63445-0821	63445-0821	Anvil	1 Y
3	63446-0808	63446-0808	Insulation Punch	1 Y
4	63443-0002	63443-0002	Front Cut-Off Plunger	1 Y
5	63443-0012	63443-0012	Front Plunger Retainer	1 Y
<b>Other Components(REF 006650)</b>				
6	11-18-4083	60707-8	Feed Guide	1
7	63443-0009	63443-0009	Front Scrap Chute	1
8	63443-0025	63443-0025	Key	1
9	63443-0090	63443-0090	Wire Stop	1
10	63443-1719	63443-1719	18.90mm Height Spacer	1
11	63443-2201	63443-2201	1.00mm Fine Spacer	1
12	63443-2216	63443-2216	16.00mm Coarse Spacer	1
13	63443-2310	63443-2310	3.50mm Fine Spacer	1
14	63443-2802	63443-2802	Front Plunger Striker	1
15	63443-2904	63443-2904	Wire Hold Down Plunger	1
16	63443-6109	63443-6109	Rear Cover	1
17	63600-0021	63600-0021	Wire Hold Down Spring	1
18	11-24-1067	4996-4	Cut-Off Plunger Spring	1
<b>Frame</b>				
19	63800-4901	63800-4901	Top	1
20	63801-3281	63801-3281	Base	1
21	63801-4650	63801-4650	Track	1
<b>Hardware</b>				
22	N/A	N/A	M3 by 6 Long SHCS	2**
23	N/A	N/A	M3 by 6 Long FHCS	1**
24	N/A	N/A	M4 by 6 Long SHCS	2**
25	N/A	N/A	M4 by 12 Long BHCS	2**
26	N/A	N/A	M4 by 50 Long SHCS	2**
27	N/A	N/A	M5 by 12 Lg SHCS	1**
28	N/A	N/A	#10-32 by 3/8" Long Flat Point SSS	1**
29	N/A	N/A	#10-32 Hex Jam Nut	1**
** Available from an industrial supply company such as MSC (1-800-645-7270).				

# Assembly Drawing



## NOTES

1. Molex recommends an extra perishable tooling kit be maintained at your facility.
2. Verify tooling alignment by manually cycling the press and Applicator before crimping under power. Check that all screws are tight.
3. Slugs, Terminals, Dirt and Oil should be kept clear of work area.
4. Wear safety glasses at all times.
5. For recommended maintenance refer to the FineAdjust Manual.

**CAUTION:** This applicator should only be used in a press with a shut height of 135.8mm (5.346"). Tooling damage could result at a lower setting.

**CAUTION:** To prevent injury never operate this Applicator without the guards supplied with the press or wire-processing machine in place. Reference the press or wire processing manufacturer's instruction manual.

**CAUTION:** Molex crimp specifications are valid only when used with Molex terminals, applicators and tooling.

**Americas Headquarters**  
Lisle, Illinois 60532 U.S.A.  
1-800-78MOLEX  
amerinfo@molex.com

**Far East North Headquarters**  
Yamato, Kanagawa, Japan  
81-462-65-2324  
feninfo@molex.com

**Far East South Headquarters**  
Jurong, Singapore  
65-6-268-6868  
fesinfo@molex.com

**European Headquarters**  
Munich, Germany  
49-89-413092-0  
eurinfo@molex.com

**Corporate Headquarters**  
2222 Wellington Ct.  
Lisle, IL 60532 U.S.A.  
630-969-4550  
Fax: 630-969-1352

Visit our Web site at <http://www.molex.com>