



Chipsmall Limited consists of a professional team with an average of over 10 year of expertise in the distribution of electronic components. Based in Hongkong, we have already established firm and mutual-benefit business relationships with customers from,Europe,America and south Asia,supplying obsolete and hard-to-find components to meet their specific needs.

With the principle of "Quality Parts,Customers Priority,Honest Operation,and Considerate Service",our business mainly focus on the distribution of electronic components. Line cards we deal with include Microchip,ALPS,ROHM,Xilinx,Pulse,ON,Everlight and Freescale. Main products comprise IC,Modules,Potentiometer,IC Socket,Relay,Connector.Our parts cover such applications as commercial,industrial, and automotives areas.

We are looking forward to setting up business relationship with you and hope to provide you with the best service and solution. Let us make a better world for our industry!



## Contact us

Tel: +86-755-8981 8866 Fax: +86-755-8427 6832

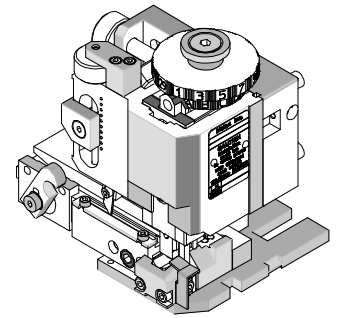
Email & Skype: info@chipsmall.com Web: www.chipsmall.com

Address: A1208, Overseas Decoration Building, #122 Zhenhua RD., Futian, Shenzhen, China





# FineAdjust Applicator Specification Sheet Order No. 63901-2700



## FEATURES

- Directly adapts to most automatic wire processing machines
- Quick punch removal with the push of a button for fast and easy tooling change
- Applicator designed to industry standard mounting and shut height 135.80mm (5.346")
- Quick set-up time; plus the crimp height, track and feed adjustments can be set without removing the applicator from the press
- Fine adjustment allows users to achieve target with little effort by adjusting in increments of .015mm (.0006") for conductor crimp height and .063mm (.0025") for insulation height
- Independent adjustment rings allow users to quickly adjust the conductor or insulation crimp height without affecting each other

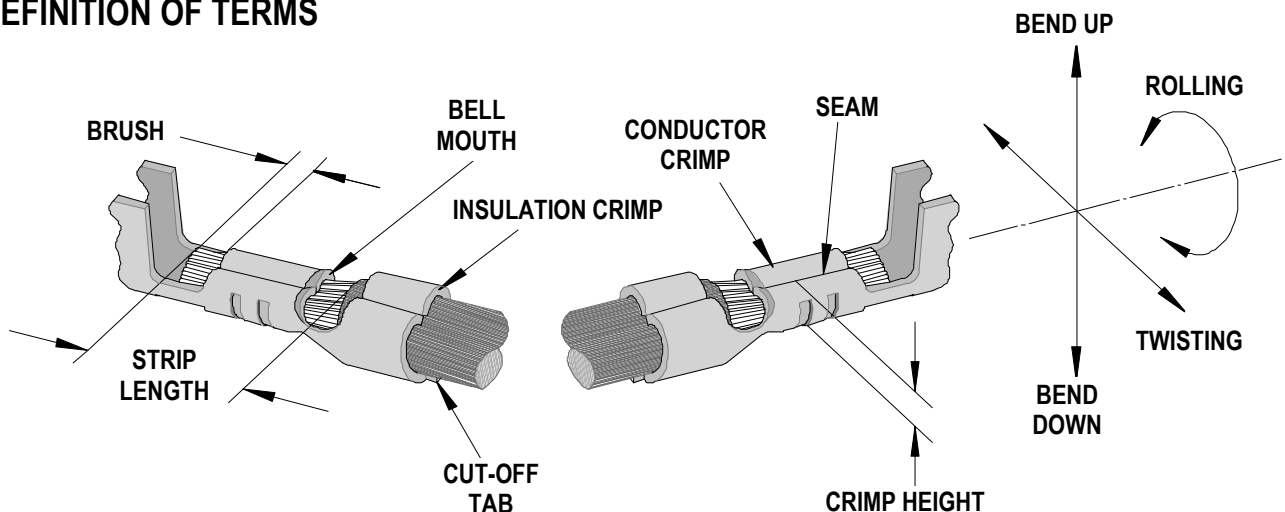
## SCOPE

Products: Sabre™ Flat Blade Crimp Terminal-18-20 AWG, UL1015 wires.

| Terminal Series No. | Terminal Order No. | Wire Size |                 | ★ Insulation Diameter |           | Strip Length |           |
|---------------------|--------------------|-----------|-----------------|-----------------------|-----------|--------------|-----------|
|                     |                    | AWG       | mm <sup>2</sup> | mm                    | In.       | mm           | In.       |
| 43374               | 43374-3001         | 18-20     | 0.80-0.50       | 2.54-2.85             | .100-.112 | 3.96-5.54    | .156-.218 |
| 43375               | 43375-3001         | 18-20     | 0.80-0.50       | 2.54-2.85             | .100-.112 | 3.96-5.54    | .156-.218 |

★ Insulation crimp to meet IPC/WHMA-A-620 Class 2 compliance.  
 Note: Terminal will accommodate the UL1015 wires.  
 For UL1056 and SPT-3 wires use Applicator 63901-2800.

## DEFINITION OF TERMS



The above terminal drawing is a generic terminal representation. It is not an image of any terminal listed in the scope.

### CRIMP SPECIFICATION

| Terminal Series No. | Bell mouth |           | Cut-off Tab Maximum |      | Conductor Brush Maximum |      |
|---------------------|------------|-----------|---------------------|------|-------------------------|------|
|                     | mm         | In.       | mm                  | In.  | mm                      | In.  |
| 43374               | 0.20-0.50  | .008-.020 | 0.30                | .012 | 0.76                    | .030 |
| 43375               |            |           |                     |      |                         |      |

| Terminal Series No. | Bend up      | Bend down | Twist        | Roll | Punch Width (Ref) |      |            |      | Seam                                                                |
|---------------------|--------------|-----------|--------------|------|-------------------|------|------------|------|---------------------------------------------------------------------|
|                     |              |           |              |      | Conductor         |      | Insulation |      |                                                                     |
|                     | Degree (Max) |           | Degree (Max) |      | mm                | In   | mm         | In   |                                                                     |
| 43374               | 3            | 3         | 4            | 8    | 2.00              | .079 | 3.20       | .126 | Seam shall not be open and no wire allowed out of the crimping area |
| 43375               |              |           |              |      |                   |      |            |      |                                                                     |

After crimping, the conductor profile should measure the following.

| Terminal Series No. | Wire Size |                 | Conductor Crimp Height |           | Insulation Crimp Height (Ref) |      | Pull Force Minimum |       |
|---------------------|-----------|-----------------|------------------------|-----------|-------------------------------|------|--------------------|-------|
|                     | AWG       | mm <sup>2</sup> | mm                     | In.       | mm                            | In.  | N                  | Lb.   |
| 43374               | 18        | 0.80            | 1.16-1.26              | .046-.050 | 3.50                          | .138 | 89.0               | 20.00 |
|                     | 20        | 0.50            | 1.10-1.20              | .043-.047 | 3.30                          | .130 | 57.9               | 13.00 |
| 43375               | 18        | 0.80            | 1.16-1.26              | .046-.050 | 3.50                          | .138 | 89.0               | 20.00 |
|                     | 20        | 0.50            | 1.10-1.20              | .043-.047 | 3.30                          | .130 | 57.9               | 13.00 |

Pull Force should be measured with no influence from the insulation crimp.  
 The above specifications are guidelines to an optimum crimp.

## PARTS LIST

| FineAdjust Applicator 63901-2700                                             |            |                 |                                    |          |
|------------------------------------------------------------------------------|------------|-----------------|------------------------------------|----------|
| Item                                                                         | Order No   | Engineering No. | Description                        | Quantity |
| <b>Perishable Tooling</b>                                                    |            |                 |                                    |          |
|                                                                              | 63901-2770 | 63901-2770      | Tool Kit (All "Y" Items)           | REF      |
| 1                                                                            | 63444-2025 | 63444-2025      | Conductor Punch                    | 1 Y      |
| 2                                                                            | 63445-2055 | 63445-2055      | Conductor Anvil                    | 1 Y      |
| 3                                                                            | 63454-0105 | 63454-0105      | Insulation Punch-Overlap           | 1 Y      |
| 4                                                                            | 63445-3250 | 63445-3250      | Insulation Anvil                   | 1 Y      |
| 5                                                                            | 63443-0035 | 63443-0035      | Cut-Off Plunger                    | 1 Y      |
| 6                                                                            | 63443-0036 | 63443-0036      | Front Plunger Retainer             | 1 Y      |
| <b>Other Components</b>                                                      |            |                 |                                    |          |
| 7                                                                            | 11-18-4083 | 60707-8         | Feed Guide                         | 1        |
| 8                                                                            | 63443-0009 | 63443-0009      | Scrape Chute                       | 1        |
| 9                                                                            | 63443-0024 | 63443-0024      | Key                                | 1        |
| 10                                                                           | 63443-0090 | 63443-0090      | Wire Stop                          | 1        |
| 11                                                                           | 63443-1718 | 63443-1718      | 18.80mm Spacer                     | 1        |
| 12                                                                           | 63443-2215 | 63443-2215      | 15.00mm Spacer                     | 1        |
| 13                                                                           | 63443-2302 | 63443-2302      | 3.10mm Spacer                      | 1        |
| 14                                                                           | 63443-2801 | 63443-2801      | Front Plunger Striker              | 1        |
| 15                                                                           | 63443-2913 | 63443-2913      | Wire Hold Down Plunger             | 1        |
| 16                                                                           | 63443-6121 | 63443-6121      | Rear Cover                         | 1        |
| 17                                                                           | 63600-1057 | 63600-1057      | Striker Plunger Spring             | 1        |
| 18                                                                           | 63700-0539 | 63700-0539      | Cut-off Plunger Spring             | 1        |
| <b>Frame</b>                                                                 |            |                 |                                    |          |
| 19                                                                           | 63800-4901 | 63800-4901      | Top                                | 1        |
| 20                                                                           | 63801-3281 | 63801-3281      | Base                               | 1        |
| 21                                                                           | 63801-4650 | 63801-4650      | Track                              | 1        |
| <b>Hardware</b>                                                              |            |                 |                                    |          |
| 22                                                                           | N/A        | N/A             | M3 by 6 Long SHCS                  | 2**      |
| 23                                                                           | N/A        | N/A             | M3 by 6 Long FHCS                  | 1**      |
| 24                                                                           | N/A        | N/A             | M4 by 6 Long SHCS                  | 2**      |
| 25                                                                           | N/A        | N/A             | M4 by 12 Long BHCS                 | 2**      |
| 26                                                                           | N/A        | N/A             | M4 by 50 Long SHCS                 | 2**      |
| 27                                                                           | N/A        | N/A             | M5 by 12 Long SHCS                 | 1**      |
| 28                                                                           | N/A        | N/A             | #10-32 by 3/8" Long Flat Point SSS | 1**      |
| 29                                                                           | N/A        | N/A             | #10-32 Hex Jam Nut                 | 1**      |
| ** Available from an industrial supply company such as MSC (1-800-645-7270). |            |                 |                                    |          |

# Assembly Drawing

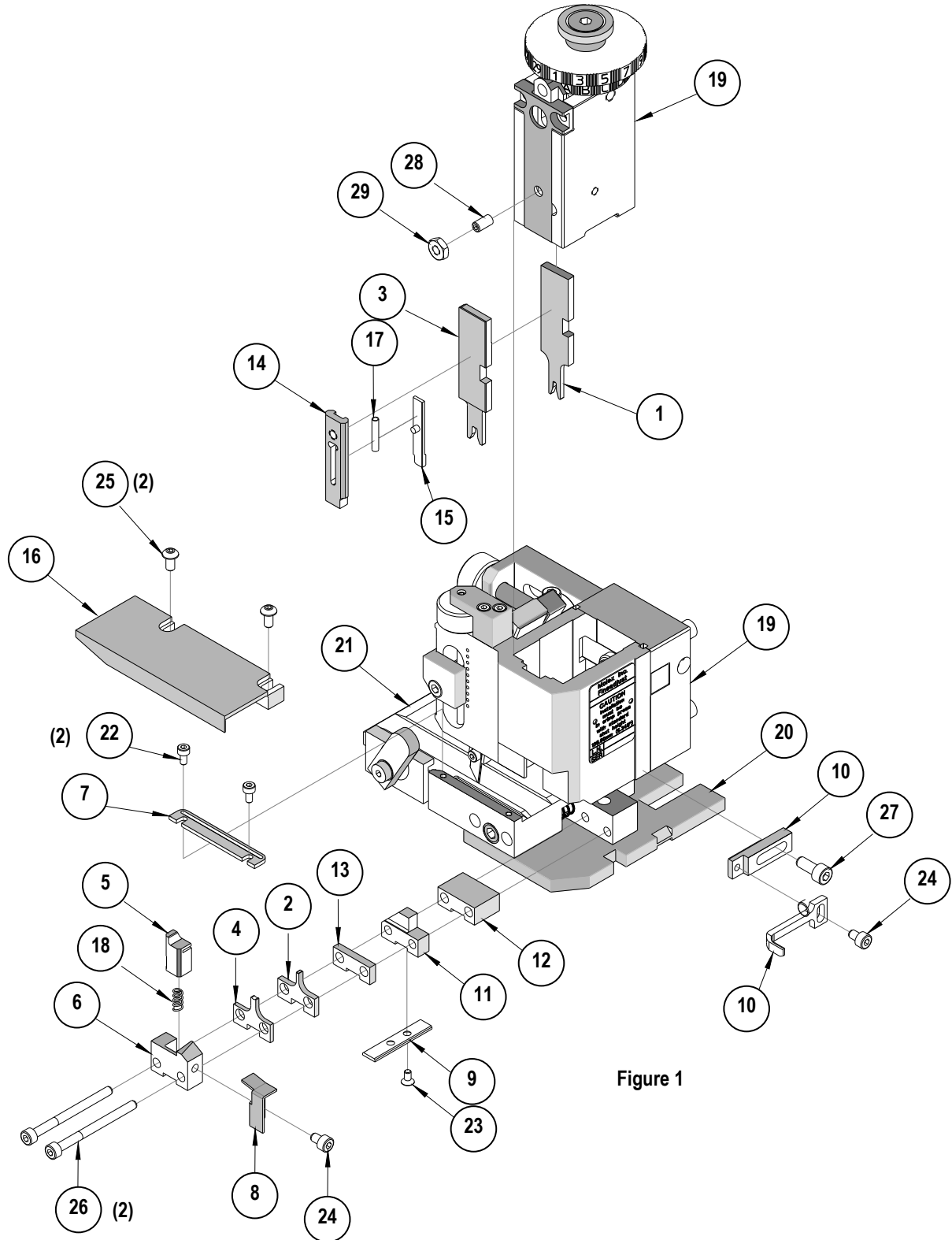


Figure 1

## NOTES

1. Molex recommends an extra perishable tooling kit be maintained at your facility.
2. Verify tooling alignment by manually cycling the press and Applicator before crimping under power. Check that all screws are tight.
3. Slugs, Terminals, Dirt and Oil should be kept clear of work area.
4. Wear safety glasses at all times.
5. For recommended maintenance refer to the FineAdjust Manual.

**CAUTION:** This applicator should only be used in a press with a shut height of 135.8mm (5.346"). Tooling damage could result at a lower setting.

**CAUTION:** To prevent injury never operate this Applicator without the guards supplied with the press or wire-processing machine in place. Reference the press or wire processing manufacturer's instruction manual.

**CAUTION:** Molex crimp specifications are valid only when used with Molex terminals, applicators and tooling.

**Americas Headquarters**  
Lisle, Illinois 60532 U.S.A.  
1-800-78MOLEX  
amerinfo@molex.com

**Far East North Headquarters**  
Yamato, Kanagawa, Japan  
81-462-65-2324  
feninfo@molex.com

**Far East South Headquarters**  
Jurong, Singapore  
65-6-268-6868  
fesinfo@molex.com

**European Headquarters**  
Munich, Germany  
49-89-413092-0  
eurinfo@molex.com

**Corporate Headquarters**  
2222 Wellington Ct.  
Lisle, IL 60532 U.S.A.  
630-969-4550  
Fax: 630-969-1352

Visit our Web site at <http://www.molex.com>