



Chipsmall Limited consists of a professional team with an average of over 10 year of expertise in the distribution of electronic components. Based in Hongkong, we have already established firm and mutual-benefit business relationships with customers from,Europe,America and south Asia,supplying obsolete and hard-to-find components to meet their specific needs.

With the principle of “Quality Parts,Customers Priority,Honest Operation,and Considerate Service”,our business mainly focus on the distribution of electronic components. Line cards we deal with include Microchip,ALPS,ROHM,Xilinx,Pulse,ON,Everlight and Freescale. Main products comprise IC,Modules,Potentiometer,IC Socket,Relay,Connector.Our parts cover such applications as commercial,industrial, and automotives areas.

We are looking forward to setting up business relationship with you and hope to provide you with the best service and solution. Let us make a better world for our industry!



Contact us

Tel: +86-755-8981 8866 Fax: +86-755-8427 6832

Email & Skype: info@chipsmall.com Web: www.chipsmall.com

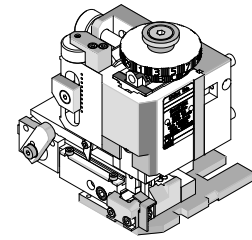
Address: A1208, Overseas Decoration Building, #122 Zhenhua RD., Futian, Shenzhen, China



**FineAdjust
Applicator**



**Application Tooling
Specification Sheet**



Order No. 63902-1000

FEATURES

- Quick punch removal with the push of a button for fast and easy tooling change
- Applicator designed to industry standard mounting and shut height 135.80mm (5.346")
- Quick set-up time; plus the crimp height, track and feed adjustments can be set without removing the applicator from the press
- Fine adjustment allows users to achieve target with little effort by adjusting in increments of .015mm (.0006") for conductor crimp height and .063mm (.0025") for insulation height
- Independent adjustment rings allow users to quickly adjust the conductor or insulation crimp height without affecting each other
- Directly adapts to most automatic wire processing machines

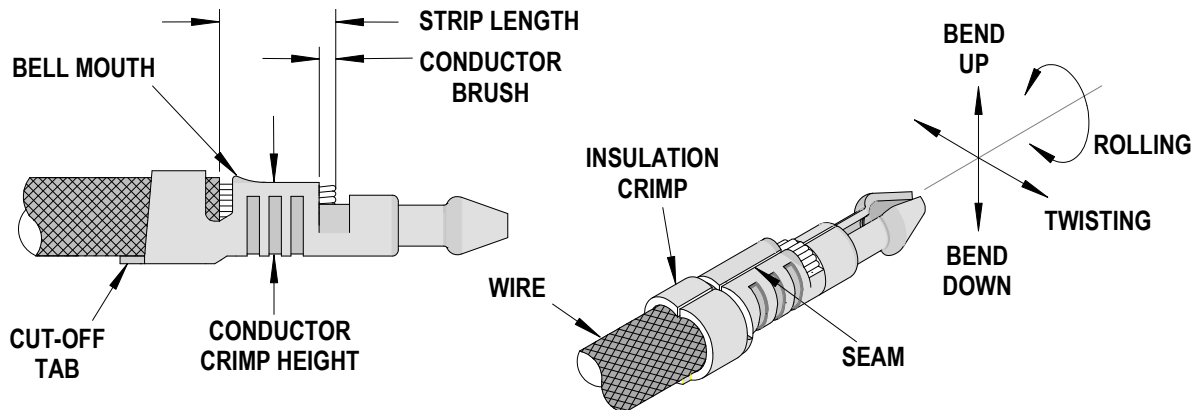
SCOPE

Products: 1.80mm (.071") Diameter PC Board Crimp Terminal, 18-22 AWG.

| Terminal Series No. | Terminal Order No. | Wire Size | | Insulation Diameter | | | | Strip Length | |
|---------------------|--------------------|-----------|-----------------|---------------------|-----------|--------------|-----------|--------------|-----------|
| | | | | IPC/WHMA-A60 (1) | | Terminal (2) | | | |
| | | AWG | mm ² | mm | In. | mm | In. | mm | In. |
| 35740 | 35740-1410 | 18 | 0.80 | 2.30-3.00 | .091-.118 | 1.70-3.00 | .067-.118 | 4.2-4.8 | .165-.189 |
| | | 20 | 0.50 | | | | | | |
| | | 22 | 0.35 | | | | | | |

(1) To achieve optimum IPC-A620 Class 2 insulation crimps, use this insulation OD.
 (2) Overall insulation OD specification for terminal.

DEFINITION OF TERMS



CRIMP SPECIFICATION

| Terminal Series No. | Bell mouth | | Cut-off Tab Maximum | | Conductor Brush | |
|---------------------|------------|-----------|---------------------|------|-----------------|-----------|
| | mm | In. | mm | In. | mm | In. |
| 35740 | 0.15-0.30 | .006-.012 | 0.50 | .020 | 0.30-0.80 | .012-.032 |

| Terminal Series No. | Bend up | Bend down | Twist | Roll | Punch Width (Ref) | | | | Seam Seam shall not be open and no wire allowed out of the crimping area |
|---------------------|----------------|----------------|-------|------|-------------------|------|------------|------|---|
| | | | | | Conductor | | Insulation | | |
| | Degree Maximum | Degree Maximum | mm | In | mm | In | | | |
| 35740 | 8 | 8 | 8 | 10 | 2.10 | .083 | 2.90 | .114 | |

After crimping, the conductor profile should measure the following.

| Terminal Series No. | Wire Size | | Conductor | | | | Insulation | | | | Pull Force Minimum | |
|---------------------|-----------|-----------------|--------------|-----------|-------------------|-----------|--------------------|------|-------------------|-----------|--------------------|-------|
| | | | Crimp Height | | Crimp Width (Ref) | | Crimp Height (Ref) | | Crimp Width (Ref) | | | |
| | AWG | mm ² | mm | In. | mm | In. | mm | In. | mm | In. | N | Lb. |
| 35740 | 18 | 0.80 | 1.25-1.35 | .049-.053 | 2.10-2.30 | .083-.091 | 3.55 | .140 | 2.90-3.10 | .114-.122 | 88.26 | 19.84 |
| | 20 | 0.50 | 1.15-1.25 | .045-.049 | 2.10-2.30 | .083-.091 | 3.45 | .136 | 2.90-3.10 | .114-.122 | 58.84 | 13.23 |
| | 22 | 0.35 | 1.05-1.15 | .041-.045 | 2.10-2.30 | .083-.091 | 3.35 | .132 | 2.90-3.10 | .114-.122 | 39.23 | 8.82 |

Tool Qualification Notes:

1. Pull Force should be measured with no influence from the insulation crimp.
2. The above specifications are guidelines to an optimum crimp.

PARTS LIST

| FineAdjust Applicator 63902-1000 | | | | |
|--|-----------------|------------------------|------------------------------------|-----------------|
| Item | Order No | Engineering No. | Description | Quantity |
| Perishable Tooling | | | | |
| | 63902-1070 | 63902-1070 | Tool Kit (All "Y" Items) | REF |
| 1 | 63444-2133 | 63444-2133 | Conductor Punch | 1 Y |
| 2 | 63445-2155 | 63445-2155 | Conductor Anvil | 1 Y |
| 3 | 63446-2929 | 63446-2929 | Insulation Punch | 1 Y |
| 4 | 63445-2947 | 63445-2947 | Insulation Anvil | 1 Y |
| 5 | 63443-0005 | 63443-0005 | Front Cut-Off Plunger | 1 Y |
| 6 | 63443-0012 | 63443-0012 | Front Plunger Retainer | 1 Y |
| Other Components | | | | |
| 7 | 11-18-4083 | 60707-8 | Feed Guide | 1 |
| 8 | 11-24-1067 | 4996-4 | Cut-Off Plunger Spring | 1 |
| 9 | 63443-0009 | 63443-0009 | Front Scrap Chute | 1 |
| 10 | 63443-0024 | 63443-0024 | Key | 1 |
| 11 | 63443-0090 | 63443-0090 | Wire Stop | 1 |
| 12 | 63443-1719 | 63443-1719 | Height Spacer | 1 |
| 13 | 63443-2214 | 63443-2214 | Coarse Spacer (14.00mm) | 1 |
| 14 | 63443-2312 | 63443-2312 | Fine Spacer (3.60mm) | 1 |
| 15 | 63443-3101 | 63443-3101 | Front Plunger Striker | 1 |
| 16 | 63443-6117 | 63443-6117 | Rear Cover | 1 |
| Frame | | | | |
| 17 | 63800-4901 | 63800-4901 | Top | 1 |
| 18 | 63801-3281 | 63801-3281 | Base | 1 |
| 19 | 63801-4650 | 63801-4650 | Track | 1 |
| Hardware | | | | |
| 20 | N/A | N/A | M3 by 6 Long SHCS | 2** |
| 21 | N/A | N/A | M3 by 6 Long FHCS | 1** |
| 22 | N/A | N/A | M4 by 6 Long SHCS | 2** |
| 23 | N/A | N/A | M4 by 12 Long BHCS | 2** |
| 24 | N/A | N/A | M4 by 50 Long SHCS | 2** |
| 25 | N/A | N/A | M5 by 12 Lg SHCS | 1** |
| 26 | N/A | N/A | #10-32 by 3/8" Long Flat Point SSS | 1** |
| 27 | N/A | N/A | #10-32 Hex Jam Nut | 1** |
| ** Available from an industrial supply company such as MSC (1-800-645-7270). | | | | |

Assembly Drawing

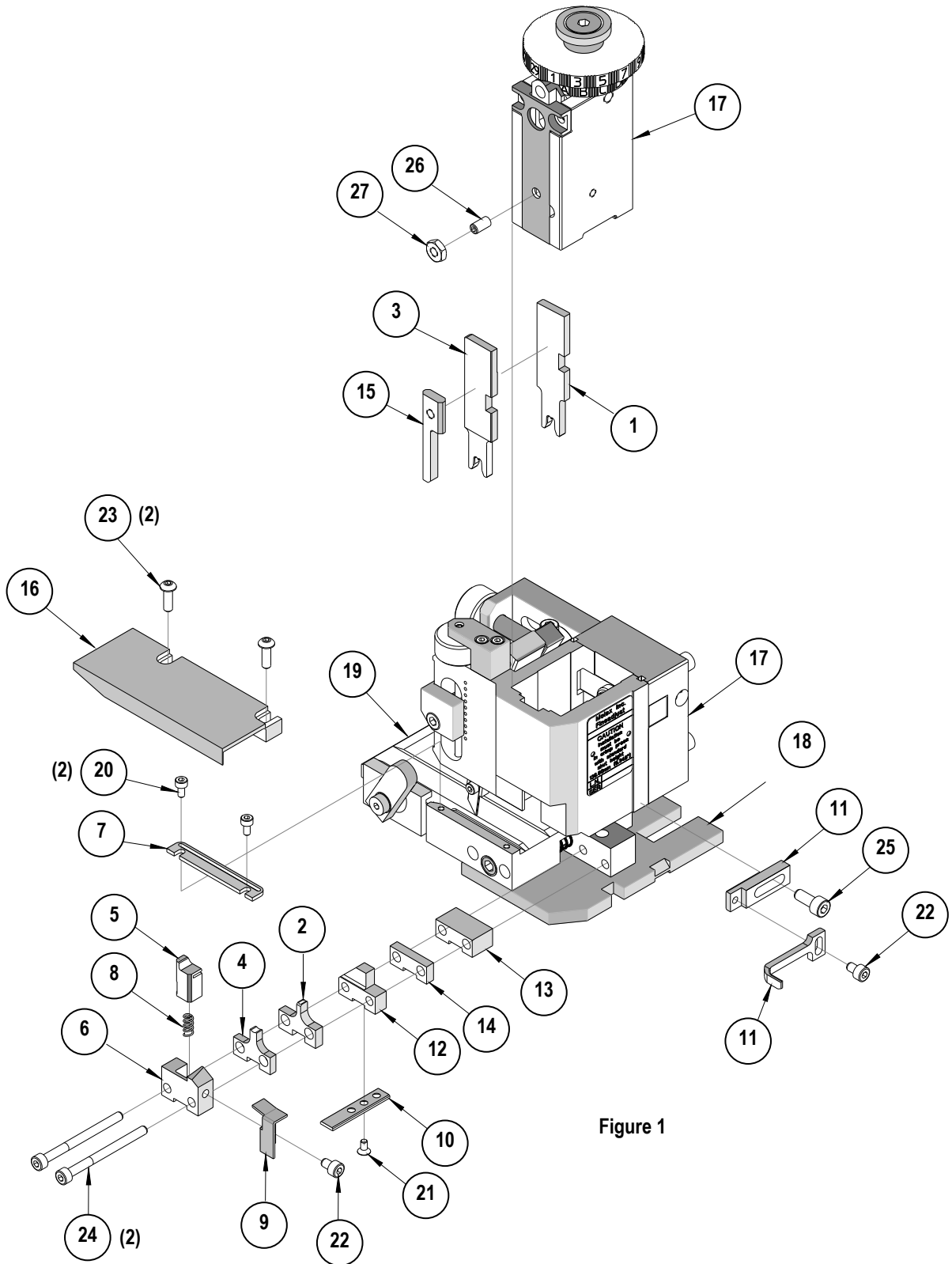


Figure 1

NOTES

1. Molex recommends an extra perishable tooling kit be maintained at your facility.
2. Verify tooling alignment by manually cycling the press and Applicator before crimping under power. Check that all screws are tight.
3. Slugs, Terminals, Dirt and Oil should be kept clear of work area.
4. Wear safety glasses at all times.
5. For recommended maintenance refer to the FineAdjust Manual.

CAUTION: This applicator should only be used in a press with a shut height of 135.8mm (5.346"). Tooling damage could result at a lower setting.

CAUTION: To prevent injury never operate this Applicator without the guards supplied with the press or wire-processing machine in place. Reference the press or wire processing manufacturer's instruction manual.

CAUTION: Molex crimp specifications are valid only when used with Molex terminals, applicators and tooling.

<http://www.molex.com>