



Chipsmall Limited consists of a professional team with an average of over 10 year of expertise in the distribution of electronic components. Based in Hongkong, we have already established firm and mutual-benefit business relationships with customers from,Europe,America and south Asia,supplying obsolete and hard-to-find components to meet their specific needs.

With the principle of “Quality Parts,Customers Priority,Honest Operation,and Considerate Service”,our business mainly focus on the distribution of electronic components. Line cards we deal with include Microchip,ALPS,ROHM,Xilinx,Pulse,ON,Everlight and Freescale. Main products comprise IC,Modules,Potentiometer,IC Socket,Relay,Connector.Our parts cover such applications as commercial,industrial, and automotives areas.

We are looking forward to setting up business relationship with you and hope to provide you with the best service and solution. Let us make a better world for our industry!



## Contact us

Tel: +86-755-8981 8866 Fax: +86-755-8427 6832

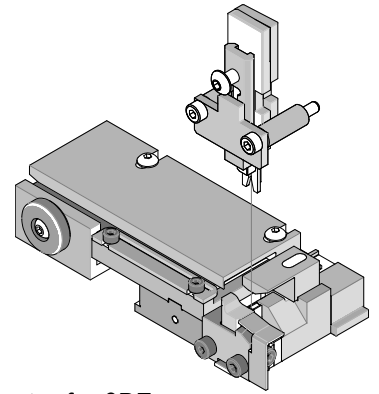
Email & Skype: info@chipsmall.com Web: www.chipsmall.com

Address: A1208, Overseas Decoration Building, #122 Zhenhua RD., Futian, Shenzhen, China





## T2 Terminator Tooling Specification Sheet Order No. 63911-9400



### FEATURES

- It is ideally suited for mid-volume bench operations
- This terminator can be installed in the TM42 and the TM40 press or Base Unit adapter for 3BF press
- Quick punch removal with the push of a button for fast and easy tooling change
- Track adjustment capabilities in the T2 Terminators for improved control of the bell mouth size and cutoff tab length
- T2 Terminator has standardized tooling with the Molex FineAdjust Applicator which will reduce your inventory requirements

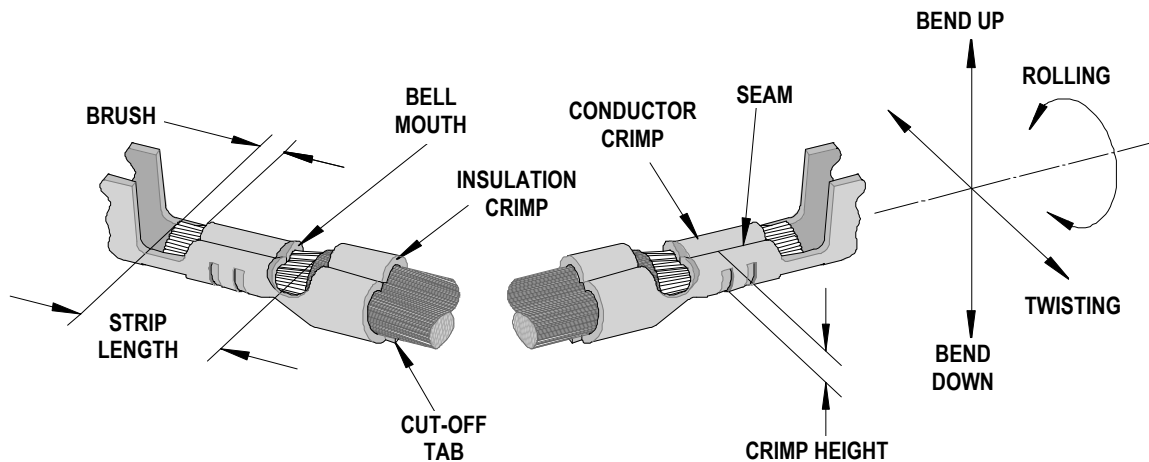
### SCOPE

Products: 1.00mm (.039") Pitch Pico-Clasp™ Wire-to-Board Crimp Terminal, 28-32 AWG.

Terminal Series No.	Terminal Order No.		Wire Size		Insulation Diameter Maximum ♦		Strip Length	
			AWG	mm <sup>2</sup>	mm	In.	mm	In.
501193	501193-2000	501193-0099	28-32	.086-.031	0.80	.031	1.00-1.30	.039-.051
501334	501334-0000		28-32	.086-.031	0.80	.031	1.00-1.30	.039-.051

♦ For optimum insulation crimp, use wire diameter below .69mm / .027"

### DEFINITION OF TERMS



The above terminal drawing is a generic terminal representation. It is not an image of a terminal listed in the scope.

**CRIMP SPECIFICATION**

Terminal Series No.	Bell mouth		Cut-off Tab Maximum		Conductor Brush	
	mm	In.	mm	In.	mm	In.
501193	0.05-0.30	.002-.012	0.10	.004	0.10-0.50	.004-.020
501334	0.05-0.30	.002-.012	0.10	.004	0.10-0.50	.004-.020

Terminal Series No.	Bend up	Bend down	Twist	Roll	Punch Width (Ref)				Seam Seam shall not be open and no wire allowed out of the crimping area
					Conductor		Insulation		
	Degree		Degree		mm	In	mm	In	
501193	3	3	3	6	0.70	.028	0.75	.030	
501334	3	3	3	6	0.70	.028	0.75	.030	

After crimping, the conductor profile should measure the following.

Terminal Series No.	Wire Size		Crimp Height				Pull Force Minimum	
			Conductor		Insulation (Ref)			
	AWG	mm <sup>2</sup>	mm	In.	mm	In.	N	Lb.
501193	28	.086	0.44-0.48	.017-.019	1.00	.039	9.8	2.20
	30	.055	0.41-0.45	.016-.018	0.95	.037	4.9	1.10
	32	.031	0.39-0.43	.015-.017	0.90	.035	3.4	0.76
501334	28	.086	0.44-0.48	.017-.019	1.00	.039	9.8	2.20
	30	.055	0.41-0.45	.016-.018	0.95	.037	4.9	1.10
	32	.031	0.39-0.43	.015-.017	0.90	.035	3.4	0.76

Pull Force should be measured with no influence from the insulation crimp.  
The above specifications are guidelines to an optimum crimp.

**PARTS LIST**

<b>T2 Terminator 63911-9400</b>				
<b>Item</b>	<b>Order No</b>	<b>Engineering No.</b>	<b>Description</b>	<b>Quantity</b>
<b>Perishable Tooling</b>				
	63911-9470	63911-9470	Tool Kit (All "Y" Items)	REF
1	63444-0705	63444-0705	Conductor Punch	1 Y
2	63445-0718	63445-0718	Combination Anvil	1 Y
3	63454-0115	63454-0115	Insulation Punch	1 Y
4	63443-0003	63443-0003	Front Cut-Off Plunger	1 Y
5	63443-0012	63443-0012	Front Plunger Retainer	1 Y
<b>Other Components</b>				
6	11-18-4083	60707-8	Feed Guide	1
7	11-24-1067	4996-4	Cut-Off Plunger Spring	1
8	63443-0009	63443-0009	Front Scrap Chute	1
9	63443-0021	63443-0021	Key	1
10	63443-2516	63443-2516	Anvil Mount	1
11	63443-2805	63443-2805	Front Plunger Striker	1
12	63443-2903	63443-2903	Wire Hold Down Plunger	1
13	63443-4029	63443-4029	Wire Stop	1
14	63443-6001	63443-6001	Rear Cover	1
15	63443-7201	63443-7201	Spring Cover	1
16	63600-0021	63600-0021	Wire Hold Down Spring	1
17	63600-2972	63600-2972	Collar	2
<b>Frame</b>				
18	63800-8500	63800-8500	T2 Terminator	1
<b>Hardware</b>				
19	N/A	N/A	2mm by 8 Long Roll Pin	1**
20	N/A	N/A	M3 by 6 Long SHCS	2**
21	N/A	N/A	M4 by 6 Long SHCS	1**
22	N/A	N/A	M4 by 12 Long BHCS	2**
23	N/A	N/A	M4 by 16 Long SHCS	1**
24	N/A	N/A	M4 by 30 Long SHCS	2**
25	N/A	N/A	M4 by 45 Long SHCS	2**
26	N/A	N/A	#10-32 by 3/8" Long BHCS	1**
** Available from an industrial supply company such as MSC (1-800-645-7270).				

### Assembly Drawing

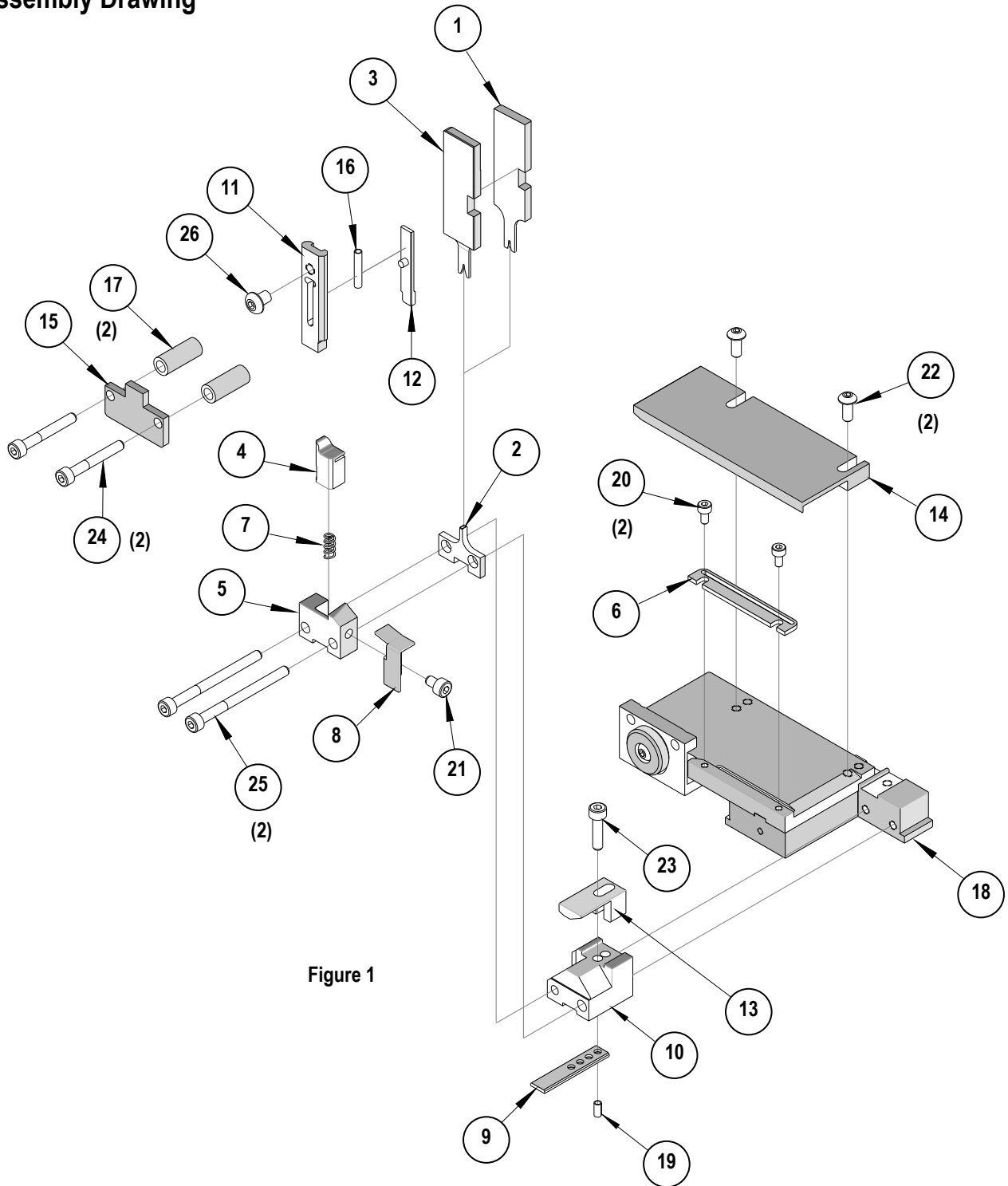


Figure 1

## NOTES

Depending on the press vintage a feed finger assembly is supplied with the T2 Terminator.

1. To remove the existing feed finger assembly loosens the M4 x 10 mm set screw in the feed lever.
2. Select T2 Feed finger assembly from Terminator box.
3. Insert a screwdriver into the slot behind the feed lever and force the feed arm spring to the right.
4. Slide the T2 feed finger shaft for TM42 (11-40-5307) or (11-40-0123) for TM40 /Base Unit into the feed lever and to the left of the feed arm spring.
5. Release the feed arm spring.
6. Position feed finger for selected product. (Refer to Figure 5.1 in the T2 Manual).

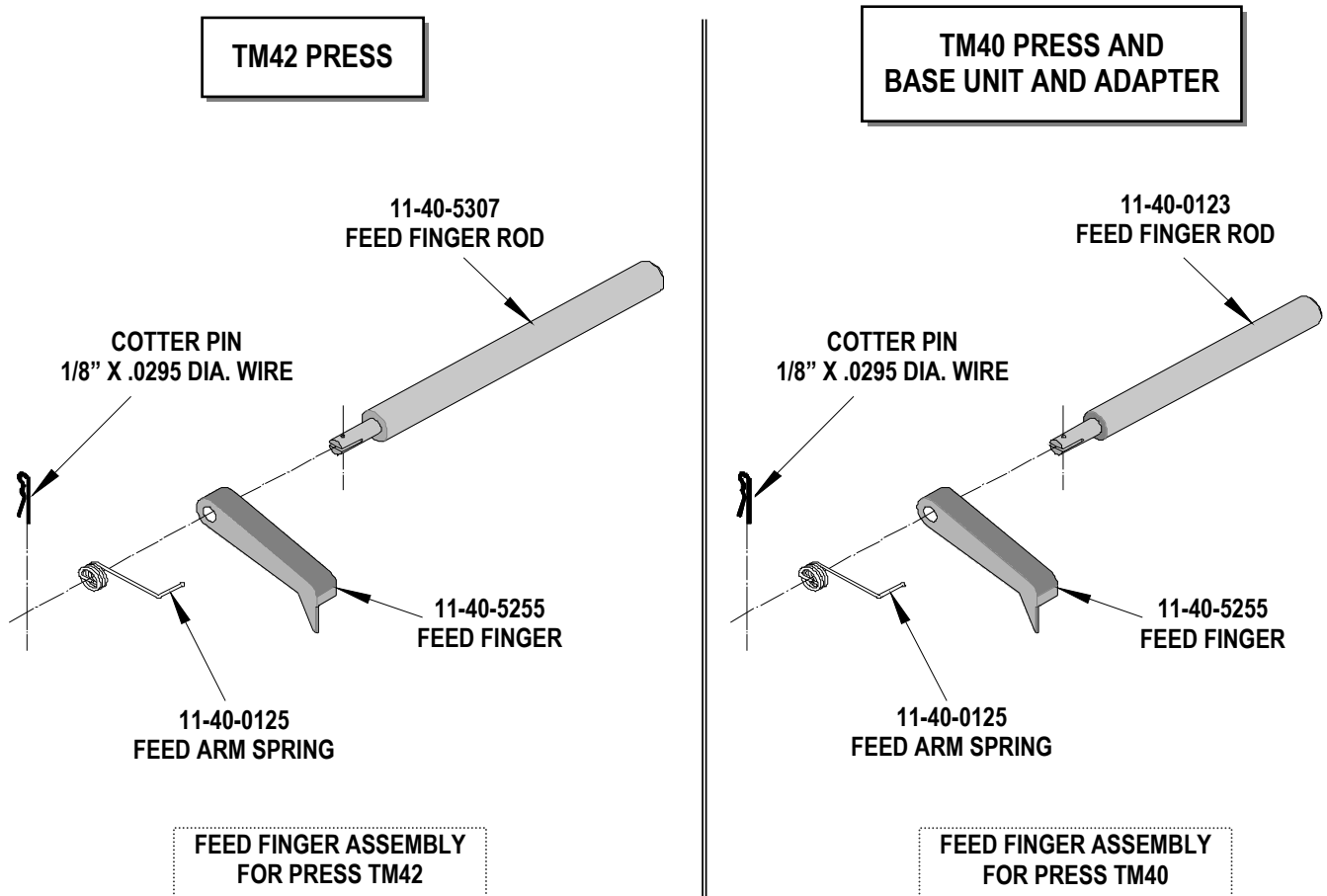


Figure 2

## NOTES

1. Molex recommends an extra perishable tooling kit be maintained at your facility.
2. Verify tooling alignment by manually cycling the press before crimping under power. Check that all screws are tight.
3. Slugs, Terminals, Dirt and Oil should be kept clear of work area.
4. This Terminator should be only used in a Molex TM42, TM40, or 3BF Press with a Base Unit adaptor.
5. Wear safety glasses at all times.
6. For recommended maintenance refer to the TM40, TM42 Manual.

**CAUTION:** To prevent injury never operate this Terminator without the guards supplied with the press or in place. Reference the TM42 press manufacturer's instruction manual.

**CAUTION:** Molex crimp specifications are valid only when used with Molex terminals, applicators and tooling.

<http://www.molex.com>