



Chipsmall Limited consists of a professional team with an average of over 10 year of expertise in the distribution of electronic components. Based in Hongkong, we have already established firm and mutual-benefit business relationships with customers from,Europe,America and south Asia,supplying obsolete and hard-to-find components to meet their specific needs.

With the principle of “Quality Parts,Customers Priority,Honest Operation,and Considerate Service”,our business mainly focus on the distribution of electronic components. Line cards we deal with include Microchip,ALPS,ROHM,Xilinx,Pulse,ON,Everlight and Freescale. Main products comprise IC,Modules,Potentiometer,IC Socket,Relay,Connector.Our parts cover such applications as commercial,industrial, and automotives areas.

We are looking forward to setting up business relationship with you and hope to provide you with the best service and solution. Let us make a better world for our industry!



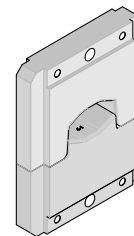
## Contact us

Tel: +86-755-8981 8866 Fax: +86-755-8427 6832

Email & Skype: info@chipsmall.com Web: www.chipsmall.com

Address: A1208, Overseas Decoration Building, #122 Zhenhua RD., Futian, Shenzhen, China





**Modular Crimp Tooling Kit**

**Application Tooling Specification Sheet**

**Order No. 64001-7970**

**SCOPE**

Tooling: The Square “DIN” style die sets are used with two machines and each machine requires an adapter for the square “DIN” dies. The Molex UP60, order number 63801-8900 will process the square “DIN” style die sets with the 63801-8901 adapter. The Molex 12 ton battery crimp tool, order number 63816-1000 will process the square “DIN” style die sets with the 63816-1100. Refer to the appropriate crimper instruction manual for installation and operation information.

Products: InsulKrimp™ and NylaKrimp™ Ring Tongue Terminals and Splices 2 AWG. Refer to the Product part number charts on this sheet for terminals with the barrel and tongue styles listed above.

**TESTING**

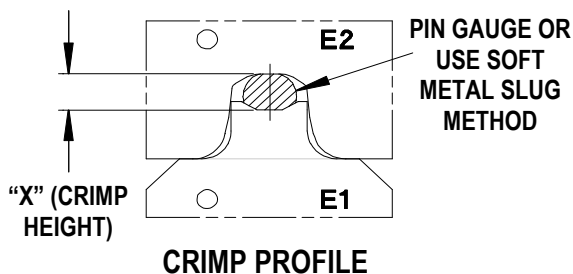
The tensile test or pull test is a means of evaluating the mechanical properties of the crimped connections. The following charts show the UL specifications for various wire sizes. The tensile strength is shown in pounds and indicates the minimum acceptable force to break or separate the terminal from the conductor.

Color Code	Wire Size (AWG)	*UL - 486 A	*UL - 486 C	**MIL-T-7928
Red	2	180	---	550

\*UL - 486 A - Terminals (Copper Conductors only)

\*UL - 486 C – Butt Splices, Parallel Splices, and Closed end Connectors

\*\*MIL-T-7928 - Military Approved Terminals only as listed



Use gauge pins or soft metal slug (solder) method to measure the “X” dimension. Verify the tooling crimp height calibration by referring to the Go/No Go dimensions shown in the chart below.

Molex does not sell gauge pins. Contact your local industrial supplier.

Wire Range		“X” Dimension Conductor Crimp						Crimp Inspection Marking
		Mean		Go		No Go		
AWG	mm <sup>2</sup>	In	mm	In	mm	In	mm	
2	26.6-42.4	.336	8.53	.330	8.38	.342	8.69	②

The following is a Partial List of the Product Part Numbers and their specifications that this tooling is designed to crimp. We will be adding to this list and an up to date copy is available on [www.molex.com](http://www.molex.com).

Wire Size: 2 AWG 26.6-42.4mm <sup>2</sup> CMA 52,600-83,700					
Terminal No.	Terminal Eng No. (REF)	Wire Strip Length		Insulation Diameter Maximum	
		In	mm	In	mm
19063-0094	G-774-14	.578	14.68	.512	13.00
19063-0095	G-774-38	.578	14.68	.512	13.00
19063-0096	G-774-56	.578	14.68	.512	13.00
19063-0097	G-774-58	.578	14.68	.512	13.00
19063-0098	G-774-76	.578	14.68	.512	13.00
19063-0099	G-775-12	.578	14.68	.512	13.00
19063-0102	G-775-56	.578	14.68	.512	13.00
19063-0103	G-775-58	.578	14.68	.512	13.00
19063-0104	G-775-76	.578	14.68	.512	13.00
19063-0105	G-776-12	.578	14.68	.512	13.00
19063-0106	G-776-14	.578	14.68	.512	13.00
19063-0107	G-776-38	.578	14.68	.512	13.00
19063-0108	G-776-56	.578	14.68	.512	13.00
19063-0109	G-776-58	.578	14.68	.512	13.00
19063-0110	G-776-76	.578	14.68	.512	13.00
19063-0111	G-777-12	.578	14.68	.512	13.00
19063-0112	G-777-14	.578	14.68	.512	13.00
19063-0113	G-777-34	.578	14.68	.512	13.00
19063-0114	G-777-38	.578	14.68	.512	13.00
19063-0115	G-777-56	.578	14.68	.512	13.00
19063-0116	G-777-58	.578	14.68	.512	13.00
19063-0117	G-777-76	.578	14.68	.512	13.00
19063-0170	G-774-76R90	.578	14.68	.605	15.37
19067-0090	G-974-12	.578	14.68	.605	15.37
19067-0091	G-974-14	.578	14.68	.605	15.37
19067-0092	G-974-38	.578	14.68	.605	15.37
19067-0093	G-974-56	.578	14.68	.605	15.37
19067-0094	G-974-76	.578	14.68	.605	15.37
19067-0095	G-975-10	.578	14.68	.600	15.24
19067-0096	G-975-14	.578	14.68	.600	15.24
19067-0097	G-975-38	.578	14.68	.600	15.24
19067-0098	G-975-56	.578	14.68	.600	15.24
19067-0130	G-974-58	.578	14.68	.605	15.37
19067-0169	G-974-14R90	.578	14.68	.605	15.37
19067-0170	G-974-56R90	.578	14.68	.605	15.37
19067-0171	G-974-38R90	.578	14.68	.605	15.37
19067-0172	G-974-12R90	.578	14.68	.605	15.37
19067-0173	G-974-58R90	.578	14.68	.605	15.37
19067-0174	G-974-34R90	.578	14.68	.605	15.37
19067-0175	G-974-78R90	.578	14.68	.605	15.37
19067-0176	G-974-34	.578	14.68	.605	15.37
19067-0177	G-974-78	.578	14.68	.605	15.37
19067-0178	G-974-76R90	.578	14.68	.605	15.37
19067-0312	G-975-14R90	.578	14.68	.600	15.24
19071-0272	G-674-12X	.578	14.68	.650	16.51
19071-0273	G-674-14X	.578	14.68	.650	16.51
19071-0274	G-674-14XR90	.578	14.68	.650	16.51



Wire Size: 2 AWG 26.6-42.4mm <sup>2</sup> CMA 52,600-83,700					
Terminal No.	Terminal Eng No. (REF)	Wire Strip Length		Insulation Diameter Maximum	
		In	mm	In	mm
19071-0275	G-674-38X	.578	14.68	.650	16.51
19071-0276	G-674-56X	.578	14.68	.650	16.51
19071-0277	G-674-58X	.578	14.68	.650	16.51
19071-0278	G-674-76X	.578	14.68	.650	16.51
19071-0279	G-675-10X	.578	14.68	.650	16.51
19071-0280	G-675-10XR90	.578	14.68	.650	16.51
19071-0281	G-675-14X	.578	14.68	.650	16.51
19071-0282	G-675-14XR90	.578	14.68	.650	16.51
19071-0283	G-675-38X	.578	14.68	.650	16.51
19071-0284	G-675-38XR90	.578	14.68	.650	16.51
19071-0285	G-675-56X	.578	14.68	.650	16.51
19071-0286	G-675-56XR90	.578	14.68	.650	16.51
19071-0287	G-675-76X	.578	14.68	.650	16.51
19071-0288	G-675-76XR90	.578	14.68	.650	16.51
19071-0289	G-676-12X	.578	14.68	.650	16.51
19071-0290	G-676-14X	.578	14.68	.650	16.51
19071-0291	G-676-38X	.578	14.68	.650	16.51
19071-0292	G-676-56X	.578	14.68	.650	16.51
19071-0293	G-676-58X	.578	14.68	.650	16.51
19071-0294	G-676-76X	.578	14.68	.650	16.51
19071-0295	G-677-12X	.578	14.68	.650	16.51
19071-0296	G-677-14X	.578	14.68	.650	16.51
19071-0297	G-677-34X	.578	14.68	.650	16.51
19071-0298	G-677-38X	.578	14.68	.650	16.51
19071-0299	G-677-56X	.578	14.68	.650	16.51
19071-0300	G-677-58X	.578	14.68	.650	16.51
19071-0301	G-677-76X	.578	14.68	.650	16.51
19154-0049	G-672X	.687	17.45	.650	16.51
19202-0057	G-772	.687	17.45	.509	12.93

MILITARY					
Wire Size: 2 AWG 26.6-42.4mm <sup>2</sup> CMA 52,600-83,700					
Terminal No.	Terminal Eng No. (REF)	Wire Strip Length		Insulation Diameter Maximum	
		In	mm	In	mm
19063-0093	G-774-12	.578	14.68	.512	13.00
19063-0100	G-775-14	.578	14.68	.512	13.00
19063-0101	G-775-38	.578	14.68	.512	13.00

**CAUTION:** Install only Molex terminals listed above with this tool. Do not crimp hardened objects as damage can occur to the tool or die.

### Crimp Tooling Kit Parts List

Item Number	Order Number	Description	Quantity
	<b>64001-7970</b>	<b>Crimp Tooling Kit – 2 AWG Insulated</b>	<b>REF</b>
1	64001-7901	Anvil	1
2	64001-7902	Punch	1

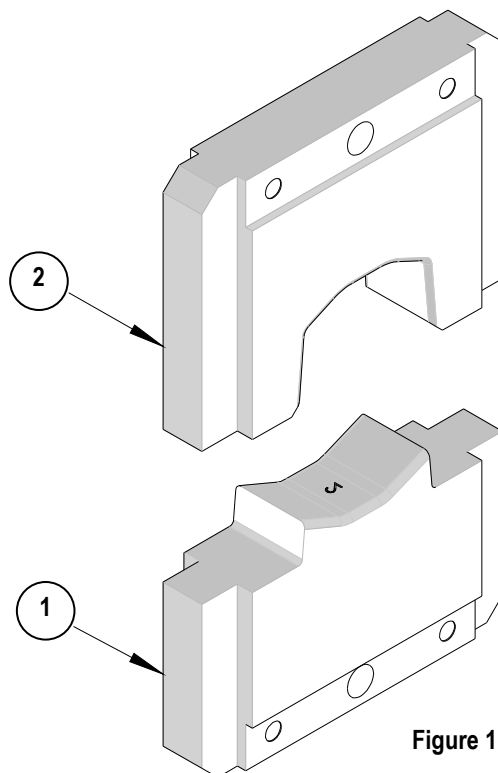


Figure 1

Visit our Web site at <http://www.molex.com>