



Chipsmall Limited consists of a professional team with an average of over 10 year of expertise in the distribution of electronic components. Based in Hongkong, we have already established firm and mutual-benefit business relationships with customers from,Europe,America and south Asia,supplying obsolete and hard-to-find components to meet their specific needs.

With the principle of “Quality Parts,Customers Priority,Honest Operation,and Considerate Service”,our business mainly focus on the distribution of electronic components. Line cards we deal with include Microchip,ALPS,ROHM,Xilinx,Pulse,ON,Everlight and Freescale. Main products comprise IC,Modules,Potentiometer,IC Socket,Relay,Connector.Our parts cover such applications as commercial,industrial, and automotives areas.

We are looking forward to setting up business relationship with you and hope to provide you with the best service and solution. Let us make a better world for our industry!



Contact us

Tel: +86-755-8981 8866 Fax: +86-755-8427 6832

Email & Skype: info@chipsmall.com Web: www.chipsmall.com

Address: A1208, Overseas Decoration Building, #122 Zhenhua RD., Futian, Shenzhen, China



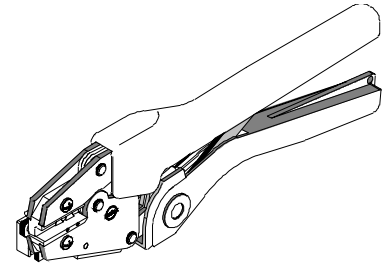


Hand Crimp Tool

Operating Instruction Sheet

And Specifications

Part No. 64003-1200
Eng. No. RHT 1752
(Replaces 19284-0011)



FEATURES

- A full cycle ratcheting hand tool ensures complete crimps
- Long handles for comfortable crimping with reduced crimping force
- A precision user-friendly terminal locator / wire stop holds terminals in the proper crimping position

SCOPE

Krimpitite® Male and Female Quick Disconnects, Ring Tongue Terminal and Bullet Receptacles 12–22 AWG.

Testing

Mechanical

The tensile test, or pull test, is a means of evaluating the mechanical properties of the crimped connections. The following chart shows the UL specifications for various wire sizes. The tensile strength is shown in pounds and indicates the minimum acceptable force to break or separate the terminal from the conductor.

Wire Size (AWG)	*UL - 486 A	*UL - 310
22	8	8
20	13	13
18	20	20
16	30	30
14	50	50
12	70	70

*UL - 486 A - Terminals (Copper conductors only)

*UL - 310 - Quick Disconnects, Bullets

The following is a partial list of the product part numbers and their specifications that this tool is designed to run. We will be adding to this list and an up to date copy is available on www.molex.com.

Wire Size: 18 – 22 AWG 0.80 – 0.35 mm ²			
All these Terminals are to be crimped in the 14-16 (Blue) Pocket			
Terminal No.	Terminal Eng No. (REF)	Wire Strip Length	
		In	mm
19022-0004	AMCT-1	.280	7.14
19022-0006	AMCT-17	.280	7.14
19074-0001	SRA-129-06	.190	4.76
19074-0004	SRA-129-08	.190	4.76
19074-0007	SRA-129-10	.190	4.76
19074-0009	SRA-S-129-06	.190	4.76
19074-0011	SRA-S-129-08	.190	4.76
19074-0013	SRA-S-129-10	.190	4.76

Wire Size: 14 – 16 AWG 2.00 – 1.30 mm ²			
* Terminals are to be crimped in the 12-14 (Yellow) Pocket			
Terminal No.	Terminal Eng No. (REF)	Wire Strip Length	
		In	mm
19016-0035	BB-1132	.250	6.35
19016-0037	BB-1135	.250	6.35
19016-0039	BB-1138	.250	6.35
19016-0040	BB-1138-032	.250	6.35

Wire Size: 14 – 16 AWG 2.00 – 1.30 mm ²			
* Terminals are to be crimped in the 12-14 (Yellow) Pocket			
Terminal No.	Terminal Eng No.	Wire Strip Length	
		In	mm
19016-0045	BB-1191	.250	6.35
19016-0046	BB-1191-032	.250	6.35
19016-0111	BB-1141	.250	6.35
*19022-0018	MCT-1	.280	7.14
*19022-0022	MCT-17	.280	7.14
19037-0004	BB-1122	.250	6.35
19037-0006	BB-1123	.250	6.35
*19074-0015	SRB-129-06	.190	4.76
*19074-0017	SRB-129-08	.190	4.76
*19074-0019	SRB-129-10	.190	4.76
*19074-0021	SRB-S-129-06	.190	4.76
*19074-0023	SRB-S-129-08	.190	4.76
*19074-0025	SRB-S-129-10	.190	4.76

Wire Size: 12 – 14 AWG 3.3 – 2.00 mm ²			
* Terminals are to be crimped in the 12-14 (Yellow) Pocket			
Terminal No.	Terminal Eng No. (REF)	Wire Strip Length	
		In	mm
*19016-0081	P-1139	.250	6.35
*19016-0082	P-1139-032	.250	6.35

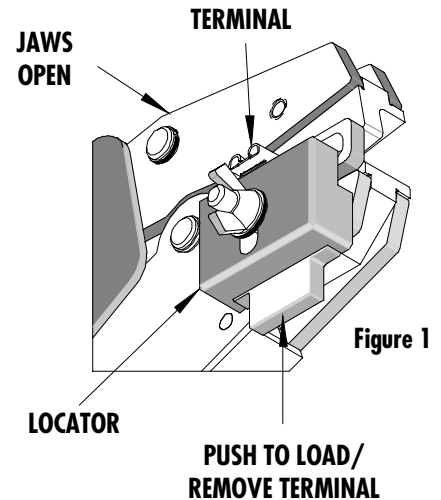
Wire Size: 12 – 14 AWG 3.3 – 2.00 mm ²			
* Terminals are to be crimped in the 12-14 (Yellow) Pocket			
Terminal No.	Terminal Eng No.	Wire Strip Length	
		In	mm
*19016-0085	P-1142	.250	6.35
*19016-0134	SPL-0282	.250	6.35

OPERATION

Open the tool by first closing the jaws sufficiently for the ratchet mechanism to release.

Crimping Terminals

1. Adjust the locator up or down until the terminal being crimped sits flat and straight into the tool.
2. Push the locator blade and insert the terminal in the proper nest with the barrel up and against the locator blade. Release the locator blade to hold the terminal in position. See Figure 1.
3. Partially close the tool to hold the terminal in place. See Figure 2.
4. Insert the properly stripped wire into the terminal barrel (See Figure 2 and 3). The wires end should stop against the locator blade. Cycle the tool.



Note: The tamper proof ratchet action will not release the tool until it has been fully closed.

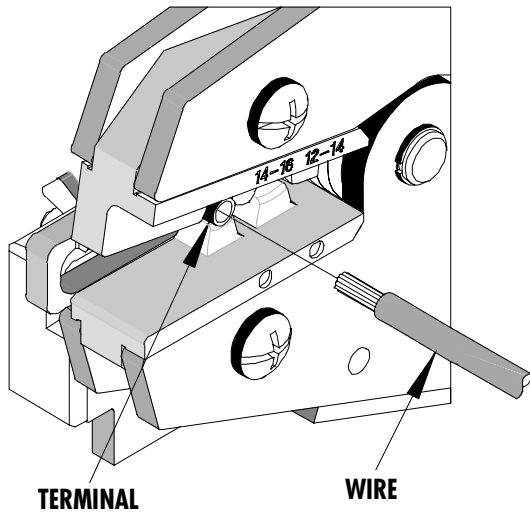


Figure 2

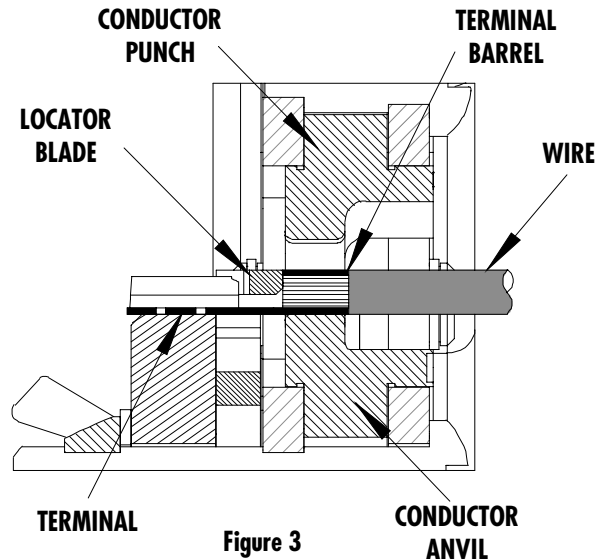


Figure 3

Note: Whenever crimping without the locator, make sure the seam of the terminal is oriented up or down in the tool if using unbrazed product, as this will provide higher pull force values.

Push the locator blade to remove the crimp and inspect for proper crimp location. Locator is adjustable up and down to keep terminals straight after crimping (See Figure 1). Molex offers a Crimp Inspection Handbook for closed barrel industrial product. See our website or contact your sales engineer.

Maintenance

It is recommended that each operator of the tool be made aware of, and responsible for, the following maintenance steps:

1. Remove dust, moisture and other contaminants with a clean brush, or soft, lint-free cloth.
2. Do not use any abrasive materials that could damage the tool.
3. Make certain all pins; pivot points and bearing surfaces are protected with a thin coat of high quality machine oil. Do not oil excessively. The 64003-1200 (RHT-1752) was engineered for durability, but like any fine piece of equipment it needs cleaning and lubrication for a maximum service life of trouble-free crimping. A light oil such as 30 weight automotive oil used at the oil points shown in Figure 4, every 5,000 crimps or 3 months will significantly enhance the tool life and ensure a stable calibration.
4. When tool is not in use, keep the handles closed to prevent objects from becoming lodged in the crimping dies, and store the tool in a clean, dry area.

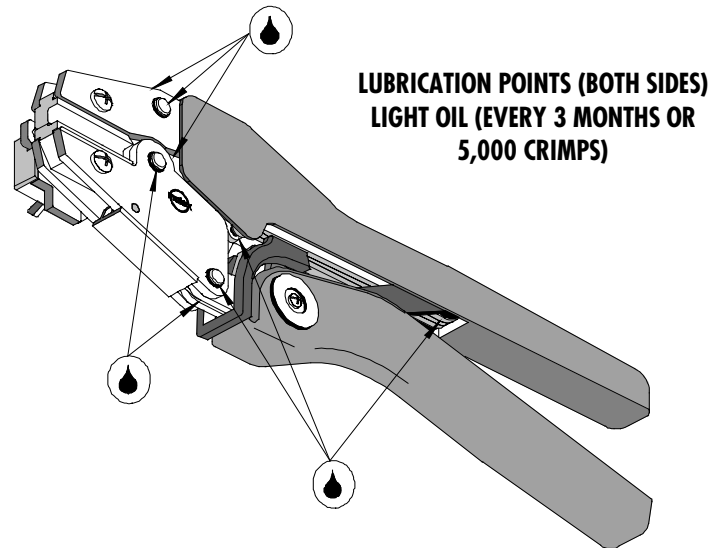


Figure 4

Miscrimps or Jams (See Figure 5)

Should this tool ever become stuck or jammed in a partially closed position, **Do Not force the handles open or closed.**

The tool will open easily by pressing the ratchet release lever.

How To Adjust Tool Preload (See Figure 5)

Over the life of the tool, it may be necessary to adjust tool handle preload force. Listed below are the steps required to adjust the crimping force of the hand tool to obtain proper crimp conditions:

1. Remove the screw and plastic cover washer.
Note the setting wheel position
2. Lift the setting wheel off the axle. Turn the eccentric axle with a screwdriver.
3. Turning the eccentric axle counter-clockwise (CCW) will increase handle force.
4. Replace the setting wheel to the axle, aligning the nearest notch in the setting wheel to the dowel pin.
5. Replace the plastic cover washer and screw.
6. Check the crimp specifications after tool handle preload force is adjusted.

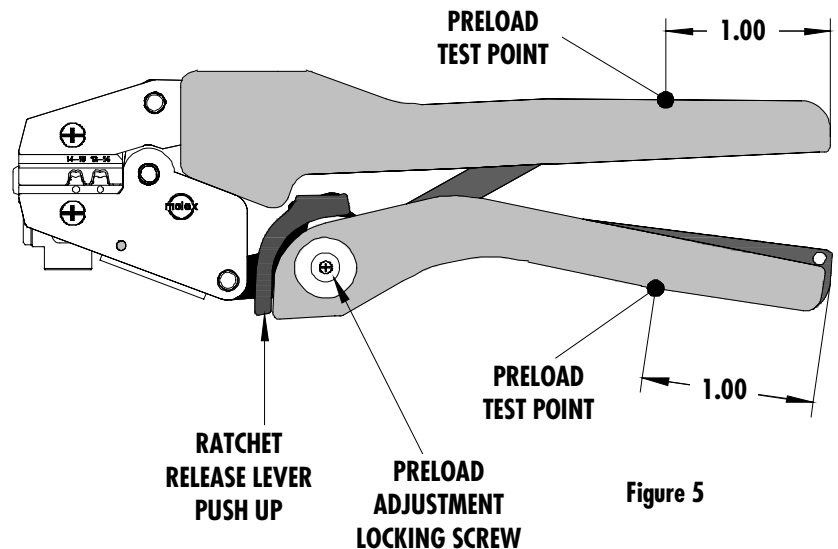
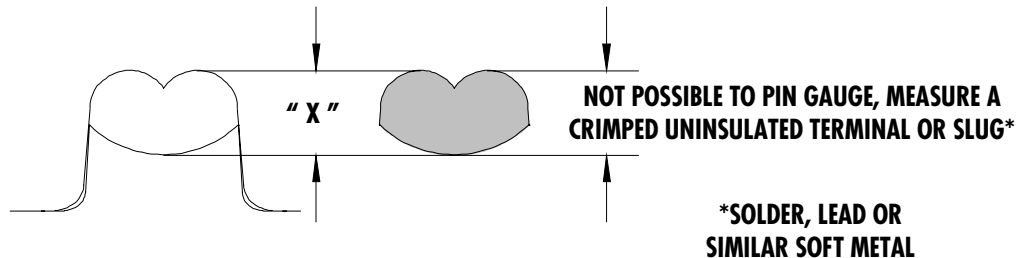


Figure 5

Tool Calibration

A Certificate of Calibration (See Last Page) was supplied with the tool. To recalibrate this Tool, a soft metal slug or solder should be crimped in the conductor nest and the "X" Dimension measured in each conductor nest and compared to this chart. The tool should be lubricated prior to recalibration to ensure consistent measurements. Handle preload is factory set to 25-45 LBS. See How to Adjust Tool Preload (See Figure 7) to recalibrate.



Nest Color Code	Wire Range		"X" Dimension Conductor Crimp		
	AWG	mm ²	Mean	Go	No Go
Yellow	12-14	2.00-3.30	.070	.067	.078
Blue	14-16	1.30-2.00	.061	.058	.069

Warranty

This tool is for electrical terminal crimping purposes only. This tool is made of the best quality materials. All vital components are long life tested. All tools are warranted to be free of manufacturing defects for a period of **30 days**. Should such a defect occur, we will repair or exchange the tool free of charge. This repair or exchange will not be applicable to altered, misused or damaged tools. This tool is designed for hand use only. Any clamping, fixturing, or use of handle extensions voids this warranty.

Hand held crimping tools are intended for low volume, prototyping, or repair requirements only.

Caution: Repetitive use of this tool should be avoided.

PARTS LIST

Item	Order No	Description	Quantity
	64003-1200	Hand Crimp Tool	(Fig. 6)
1	64000-0076	Repair Kit (Springs, Pins and E-Rings)	1
2	63810-0000	Handle	1
3	64003-1275	Locator Assembly	1
4	64003-1270	Tooling Kit	1
Tooling Kit Only			
5	64003-1201	Conductor Punch	1
6	64003-1202	Conductor Anvil	1

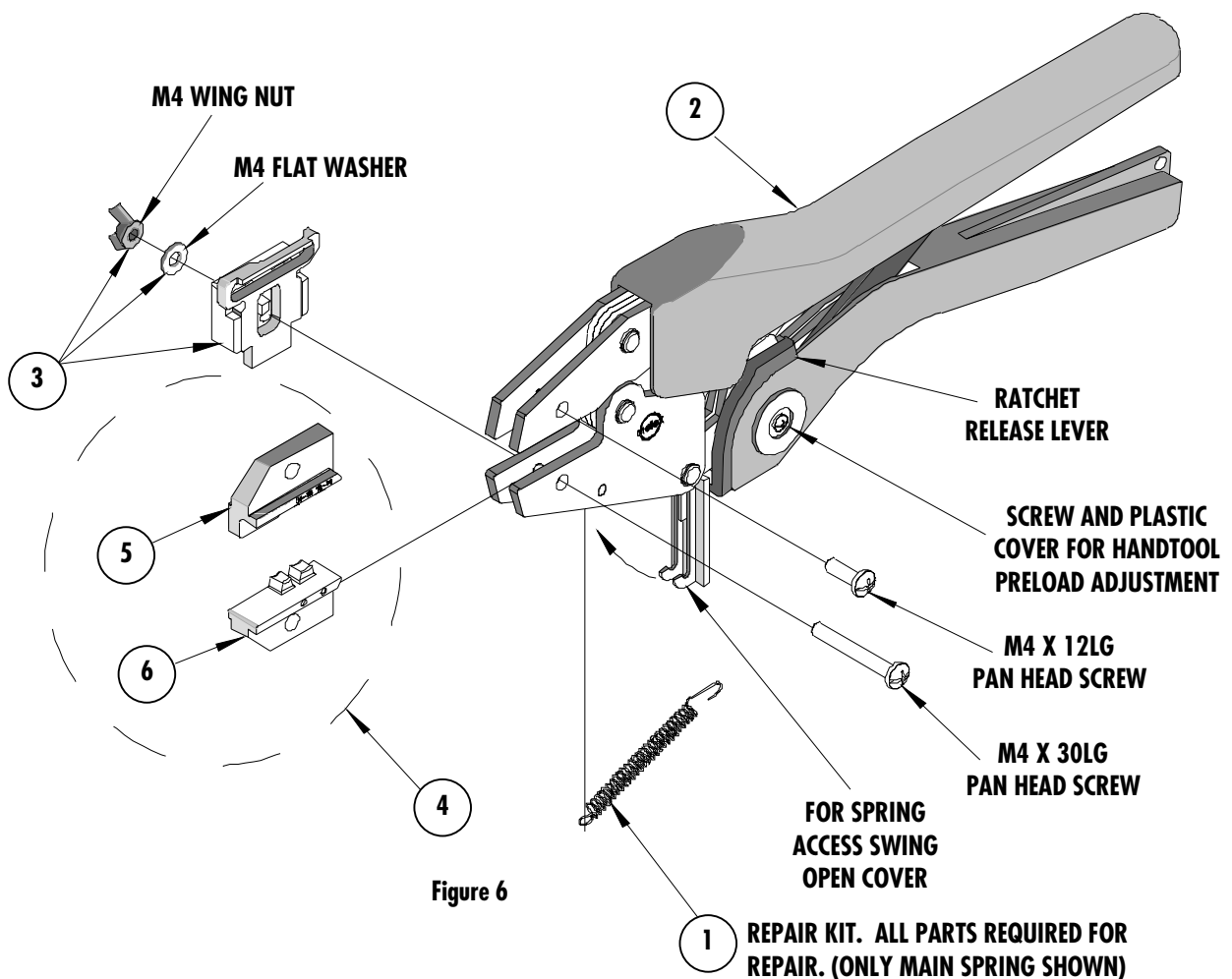
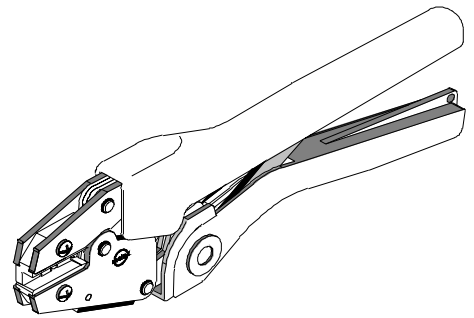


Figure 6



Certificate of Calibration

Tool Order Number _____

Tool Eng. Number _____

Tool Revision _____

Serial Number _____

Date of Manufacture _____

Handle Load Range at 1 inch from the Tips = _____

Actual = _____

Pin Gauge of Conductor Nest/Nests or Slug height if the nest is the "F" Crimp style.

Range Conductor Nest # 1 = _____ Actual = _____

Range Conductor Nest # 2 = _____ Actual = _____

Range Conductor Nest # 3 = _____ Actual = _____

Technician _____

Date of Calibration _____

Calibration should be done every 5,000 cycles or 3 months. Tools should be lubricated during this operation.

Molex Application Tooling Group

1150 E. Diehl Road
Naperville, IL 60563
Tel: (630) 969-4550
Fax: (630) 505-0049